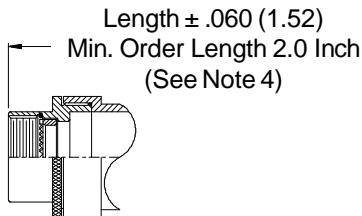
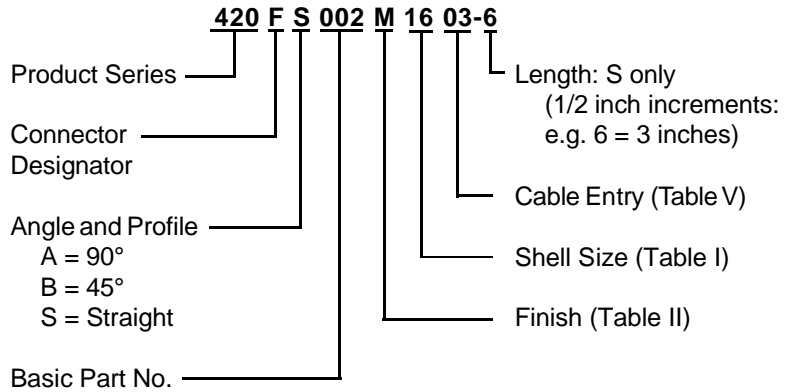
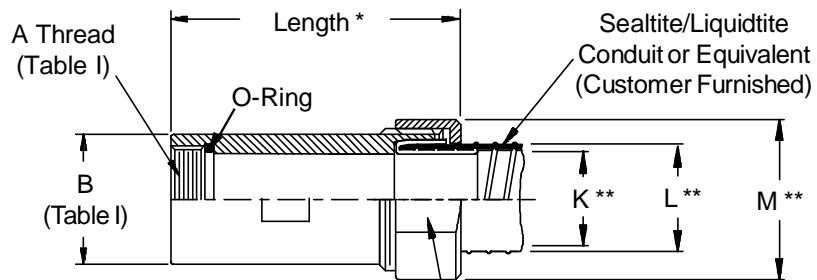


CONNECTOR DESIGNATORS
A-B*-C-D-E-F
G-H-J-K-L-S
 * Conn. Desig. B See Note 6
DIRECT COUPLING



STYLE 2 (STRAIGHT)



* Length ± .060 (1.52)
 Min. Order Length 1.5 Inch
 (See Note 4)
 ** (Table V)

