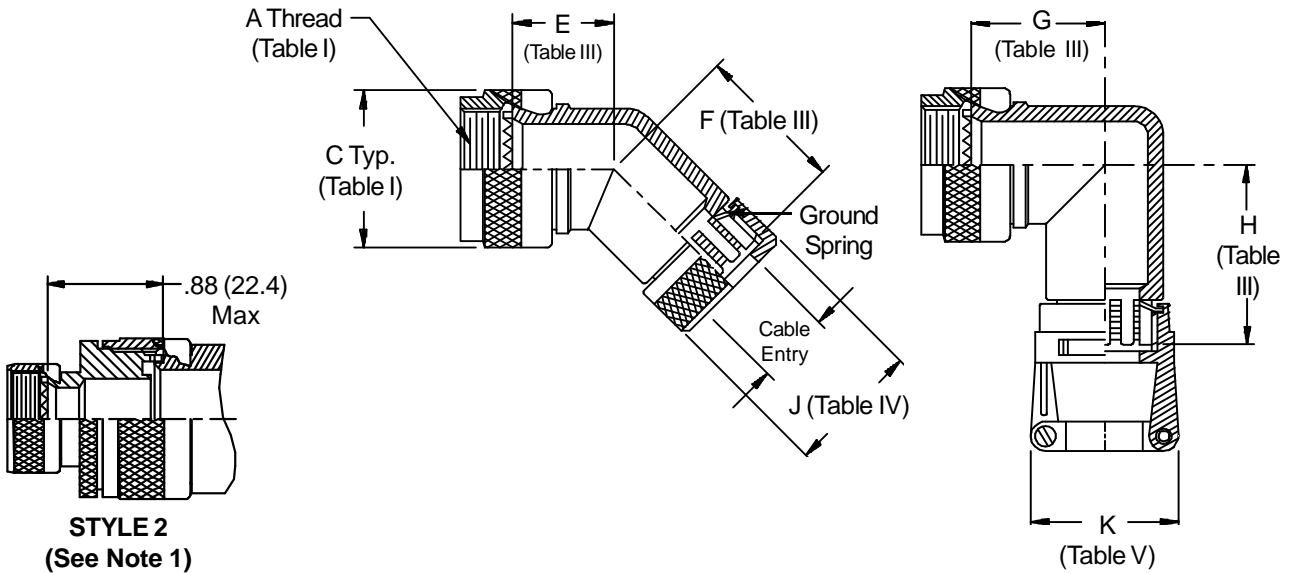
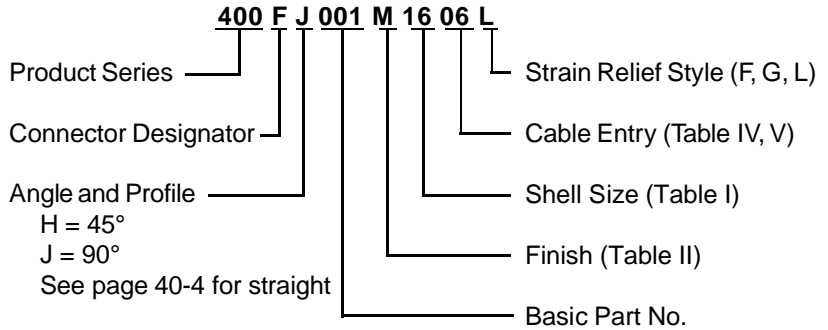
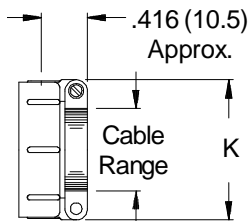


**CONNECTOR
 DESIGNATORS
 A-F-H-L-S
 ROTATABLE
 COUPLING**

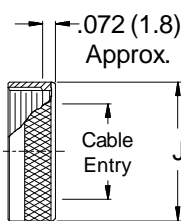


STYLE 2
 (See Note 1)

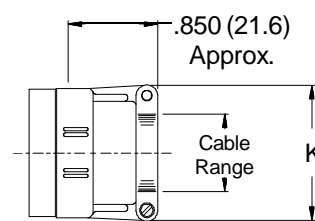
STYLE F
 Light Duty
 (Table V)



STYLE G
 Light Duty
 (Table IV)



STYLE L
 Light Duty
 (Table V)



400-001
TAG® Ring Backshell
 with Strain Relief
 Rotatable Coupling - Standard Profile



See inside back cover
 fold-out or pages 13 and
 14 for Tables I and II.

TABLE III: ELBOW DIMENSIONS								
Shell Size		E Max	F Max	G Max	H Max			
Conn. Desig. A-F-L-S	H							
08	09	.639 (16.2)	1.510 (38.4)	.750 (19.1)	1.620 (41.1)			
10	11	.664 (16.9)	1.540 (39.1)	.810 (20.6)	1.680 (42.7)			
12	13	.688 (17.5)	1.560 (39.6)	.870 (22.1)	1.740 (44.2)			
14	15	.705 (17.9)	1.590 (40.4)	.920 (23.4)	1.810 (46.0)			
16	17	.732 (18.6)	1.610 (40.9)	.980 (24.9)	1.870 (47.5)			
18	19	.748 (19.0)	1.620 (41.1)	1.020 (25.9)	1.890 (48.0)			
20	21	.773 (19.6)	1.640 (41.7)	1.080 (27.4)	1.950 (49.5)			
22	23	.800 (20.3)	1.680 (42.7)	1.140 (29.0)	2.030 (51.6)			
24	25	.823 (20.9)	1.710 (43.4)	1.200 (30.5)	2.100 (53.3)			

TABLE IV: CABLE ENTRY			
Dash No.	J Max	Cable Entry Max	
02	.545 (13.8)	.250 (6.4)	
03	.670 (17.0)	.375 (9.5)	
04	.795 (20.2)	.500 (12.7)	
05	.920 (23.4)	.625 (15.9)	
06	1.045 (26.5)	.750 (19.1)	
07	1.170 (29.7)	.875 (22.2)	
08	1.295 (32.9)	1.000 (25.4)	
09	1.420 (36.1)	1.125 (28.6)	
10	1.670 (42.4)	1.250 (31.8)	

TABLE V: CABLE ENTRY				
Dash No.	K Max	Cable Range		
		Min	Max	
02	.968 (24.6)	.125 (3.2)	.250 (6.4)	
03	1.046 (26.6)	.250 (6.4)	.375 (9.5)	
04	1.156 (29.4)	.250 (6.4)	.500 (12.7)	
05	1.218 (30.9)	.375 (9.5)	.625 (15.9)	
06	1.343 (34.1)	.500 (12.7)	.750 (19.1)	
07	1.468 (37.3)	.625 (15.9)	.875 (22.2)	
08	1.593 (40.5)	.625 (15.9)	1.000 (25.4)	
09	1.718 (43.6)	.750 (19.1)	1.125 (28.6)	
10	1.843 (46.8)	.875 (22.2)	1.250 (31.8)	

1. When maximum cable entry (page 21) is exceeded, Style 2 will be supplied. Dimensions E, F, G and H will not apply. Please consult factory.
2. Metric dimensions (mm) are indicated in parentheses.
3. Cable range is defined as the accommodations range for the wire bundle or cable. Dimensions shown are not intended for inspection criteria.
4. -445 modification not available for MIL-DTL-38999 Series II.

-445

Add "-445" to Specify Glenair's Non-Detent, ("NESTOR") Spring-Loaded, Self-Locking Coupling. See Page 41 for Details.