



HXC SERIES

NEW

105°C Higher Ripple, Snap-in Terminal Type

◆ FEATURES

- Load Life : 105°C 2000 hours.
- Higher ripple current endurance than MXC series.
- RoHS compliance.



◆ SPECIFICATIONS

Items	Characteristics		
Category Temperature Range	-25 ~ +105°C		
Rated Voltage Range	200 ~ 450V.DC		
Capacitance Tolerance	±20% (20°C, 120Hz)		
Leakage Current(MAX)	$I=3\sqrt{CV}$ (After 5 minutes application of rated voltage) $I$ =Leakage Current ( $\mu$ A) $V$ = Rated Voltage (V) $C$ = Rated Capacitance ( $\mu$ F)		
Dissipation Factor(MAX) (tan $\delta$ )	Rated Voltage (V)	200 ~ 400	450
	tan $\delta$	0.15	0.20
Impedance Ratio(MAX)	Rated Voltage (V)	200	400 ~ 450
	Z( -25°C ) / Z(20°C)	3	8
Endurance	After applying rated voltage with rated ripple current for 2000hrs at 105°C, the capacitors shall meet the following requirements.		
	Capacitance Change	Within ±20% of the initial value.	
	Dissipation Factor	Not more than 200% of the specified value.	
	Leakage Current	Not more than the specified value.	

◆ MULTIPLIER FOR RIPPLE CURRENT

Frequency coefficient

Frequency (Hz)	60(50)	120	500	1k	10k $\leq$	
Coefficient	200WV	0.80	1.00	1.20	1.30	1.50
	400~450WV	0.80	1.00	1.20	1.25	1.40

◆ PART NUMBER

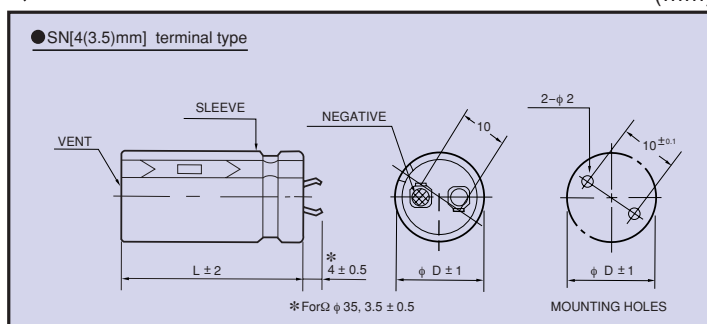
HXC         OOE  SN  D x L  
 Rated Voltage      Series      Rated Capacitance      Capacitance Tolerance      Option      Terminal Code      Case Size

◆ Option

	Code
without plate	OOE
with plate	Blank

◆ DIMENSIONS

(mm)





◆ STANDARD SIZE, RATED RIPPLE CURRENT

Cap(μF)	WV	200							
		φ 22		φ 25		φ 30		φ 35	
270		22 × 25	1.64						
330		22 × 30	1.89						
390		22 × 35	2.14	25 × 25	1.99				
470		22 × 40	2.41	25 × 30	2.32	30 × 25	2.27		
560		22 × 45	2.71	25 × 35	2.63	30 × 25	2.43		
680		22 × 50	3.06	25 × 35	2.81	30 × 30	2.82		
820				25 × 45	3.32	30 × 30	2.94	35 × 25	2.56
1000				25 × 50	3.72	30 × 35	3.36	35 × 30	3.07
1200						30 × 40	3.78	35 × 35	3.57
1500						30 × 50	4.48	35 × 40	4.01
1800								35 × 45	4.44
2200								35 × 50	4.90

Cap(μF)	WV	400							
		φ 22		φ 25		φ 30		φ 35	
82		22 × 30	0.81						
100		22 × 35	0.99	25 × 25	0.99				
120		22 × 40	1.19	25 × 30	1.19				
150		22 × 45	1.43	25 × 35	1.43	30 × 25	1.41		
180		22 × 50	1.60	25 × 40	1.61	30 × 30	1.61		
220				25 × 45	1.83	30 × 35	1.84		
270				25 × 50	2.06	30 × 40	2.10	35 × 30	2.00
330						30 × 45	2.36	35 × 35	2.29
390						30 × 50	2.62	35 × 40	2.56
470								35 × 45	2.86
560								35 × 50	3.15

Cap(μF)	WV	450							
		φ 22		φ 25		φ 30		φ 35	
68		22 × 30	0.67						
82		22 × 35	0.81	25 × 25	0.81				
100		22 × 40	0.99	25 × 30	0.99				
120		22 × 45	1.19	25 × 35	1.19	30 × 25	1.19		
150				25 × 40	1.49	30 × 30	1.49	35 × 25	1.49
180				25 × 45	1.68	30 × 35	1.70	35 × 25	1.61
220				25 × 50	1.89	30 × 40	1.92	35 × 30	1.85
270						30 × 45	2.18	35 × 35	2.12
330						30 × 50	2.45	35 × 40	2.41
390								35 × 45	2.67
470								35 × 50	2.97

↑ Ripple Current (A r.m.s./120Hz, 105°C)  
 ↑ Case Size φ D × L(mm)