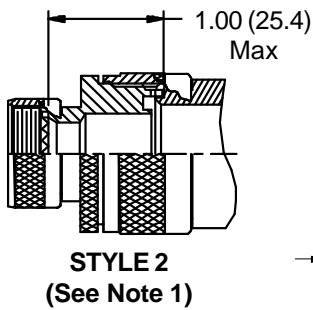
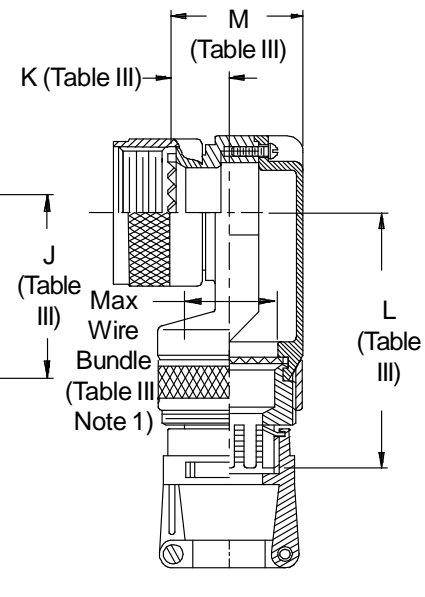
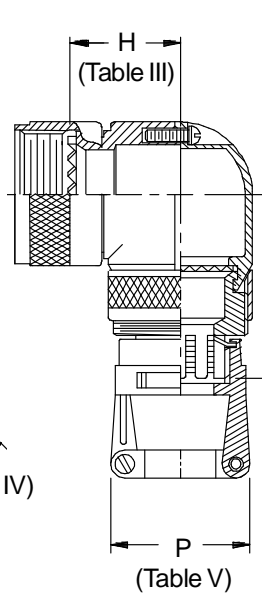
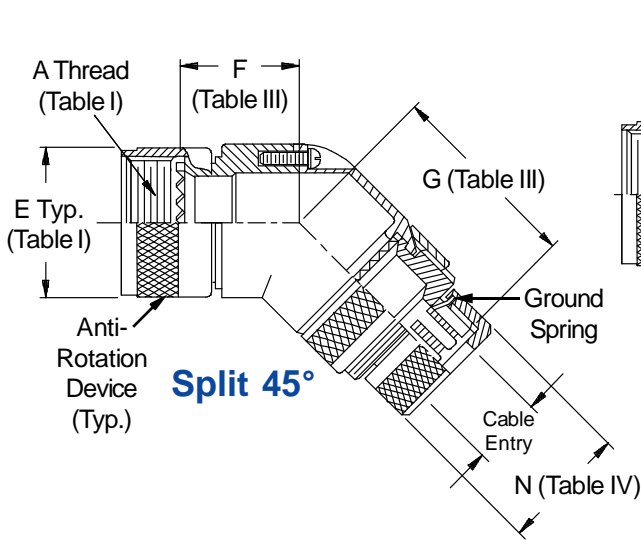
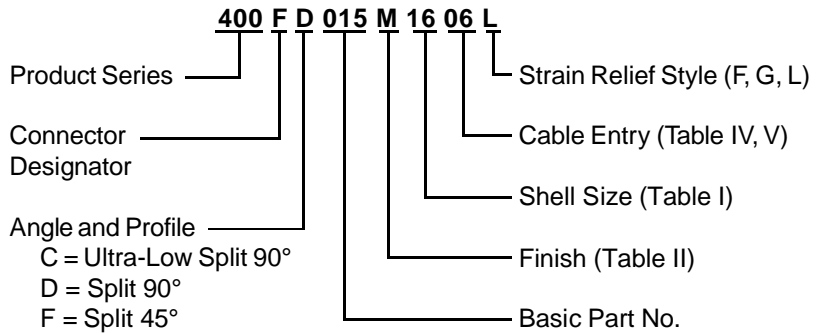
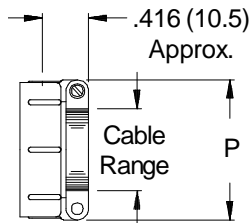


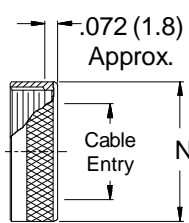
CONNECTOR DESIGNATORS
A-F-H-L-S
SELF-LOCKING
ROTATABLE
COUPLING



STYLE F
 Light Duty
 (Table V)



STYLE G
 Light Duty
 (Table IV)



Ultra Low-Profile Split 90°

STYLE L
 Light Duty
 (Table V)

