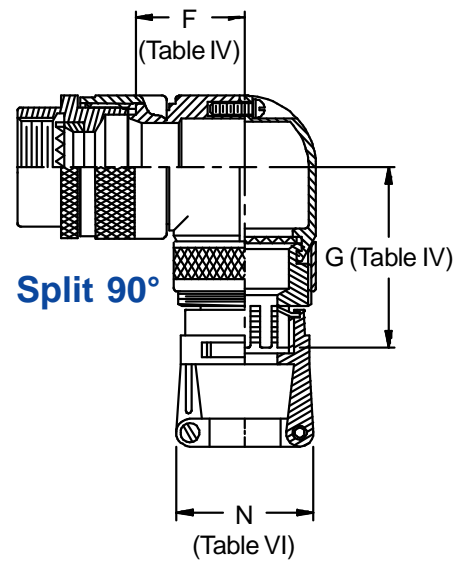
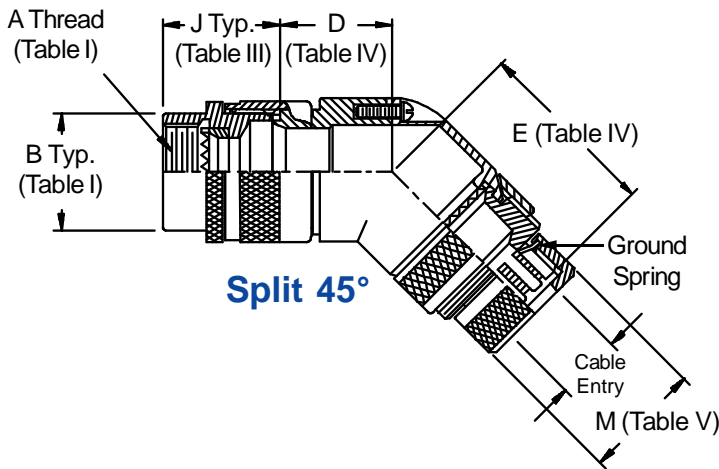
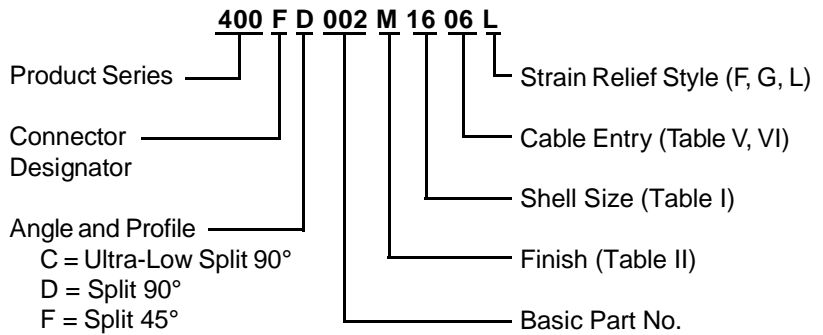
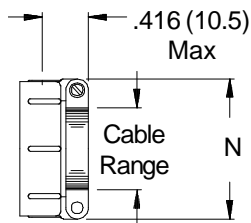


**CONNECTOR  
 DESIGNATORS**  
**A-B\*-C-D-E-F**  
**G-H-J-K-L-S**

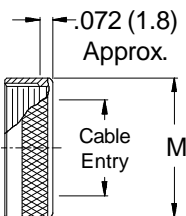
\* Conn. Desig. B See Note 3  
**DIRECT COUPLING**



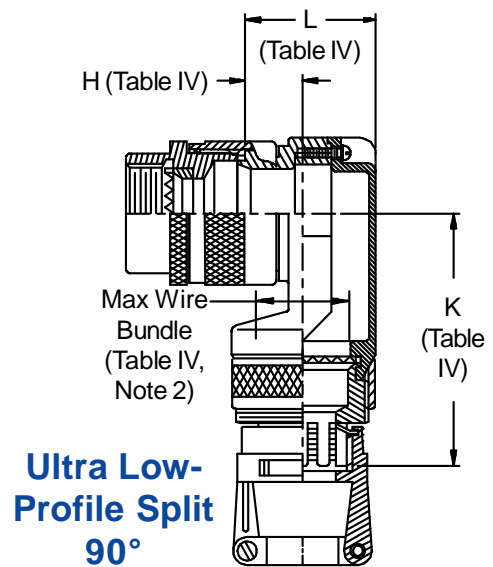
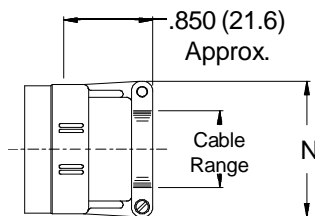
**STYLE F**  
 Light Duty  
 (Table VI)



**STYLE G**  
 Light Duty  
 (Table V)



**STYLE L**  
 Light Duty  
 (Table VI)



400-002  
TAG® Ring Backshell  
with Strain Relief  
Direct Coupling - Split Shell



**TABLE III: FRONT ADAPTER**

Shell Size	J Max - Conn. Designator		
	A-E-F J-H-L-S	D-B-G-K	C
08/09	1.180 (30.0)	1.250 (31.8)	
10/11	1.180 (30.0)	1.250 (31.8)	
12/13	1.180 (30.0)	1.250 (31.8)	1.735 (44.1)
14/15	1.180 (30.0)	1.250 (31.8)	1.915 (48.6)
16/17	1.380 (35.0)	1.560 (39.6)	1.915 (48.6)
18/19	1.380 (35.0)	1.560 (39.6)	1.915 (48.6)
20/21	1.380 (35.0)	1.560 (39.6)	1.915 (48.6)
22/23	1.380 (35.0)	1.560 (39.6)	1.915 (48.6)
24/25	1.380 (35.0)	1.560 (39.6)	1.915 (48.6)
28/29	1.610 (40.9)	1.560 (39.6)	1.915 (48.6)
32/33	1.610 (40.9)	1.750 (44.5)	1.915 (48.6)
36	1.610 (40.9)	1.750 (44.5)	1.915 (48.6)
40	1.610 (40.9)	2.190 (55.6)	1.915 (48.6)

See inside back cover  
fold-out or pages 13 and  
14 for Tables I and II.

1. Metric dimensions (mm) are indicated in parentheses.
2. Cable range is defined as the accommodations range for the wire bundle or cable. Dimensions shown are not intended for inspection criteria.
3. When using Connector Designator B refer to pages 18 and 19 for part number development.

**TABLE IV: DIMENSIONS**

Dash No.	D Max	E Max	F Max	G Max	H Max	K Max	L Max	Function C Max Wire Bundle
02	.440 (11.2)	1.500 (38.1)	.680 (17.3)	1.440 (36.6)	.340 (8.6)	2.060 (52.3)	.681 (17.3)	.250 (6.4)
03	.500 (12.7)	1.560 (39.6)	.750 (19.1)	1.500 (38.1)	.270 (6.9)	2.220 (56.4)	.731 (18.6)	.375 (9.5)
04	.560 (14.2)	1.630 (41.4)	.810 (20.6)	1.570 (39.9)	.270 (6.9)	2.220 (56.4)	.731 (18.6)	.375 (9.5)
05	.620 (15.7)	1.660 (42.2)	.870 (22.1)	1.600 (40.6)	.280 (7.1)	2.290 (58.2)	.831 (21.1)	.500 (12.7)
06	.680 (17.3)	1.760 (44.7)	.930 (23.6)	1.700 (43.2)	.420 (10.7)	2.340 (59.4)	.981 (24.9)	.625 (15.9)
07	.750 (19.1)	1.820 (46.2)	1.000 (25.4)	1.760 (44.7)	.640 (16.3)	2.370 (60.2)	1.181 (30.0)	.625 (15.9)
08	.820 (20.8)	1.880 (47.8)	1.060 (26.9)	1.820 (46.2)	.640 (16.3)	2.370 (60.2)	1.181 (30.0)	.625 (15.9)
09	.880 (22.4)	1.940 (49.3)	1.120 (28.4)	1.880 (47.8)	.540 (13.7)	2.520 (64.0)	1.181 (30.0)	.750 (19.1)
10	.940 (23.9)	2.000 (50.8)	1.180 (30.0)	1.940 (49.3)	.540 (13.7)	2.520 (64.0)	1.181 (30.0)	.750 (19.1)

**TABLE V: CABLE ENTRY**

Dash No.	M Max	Cable Entry Max
02	.545 (13.8)	.250 (6.4)
03	.670 (17.0)	.375 (9.5)
04	.795 (20.2)	.500 (12.7)
05	.920 (23.4)	.625 (15.9)
06	1.045 (26.5)	.750 (19.1)
07	1.170 (29.7)	.875 (22.2)
08	1.295 (32.9)	1.000 (25.4)
09	1.420 (36.1)	1.125 (28.6)
10	1.670 (42.4)	1.250 (31.8)

**TABLE VI: CABLE ENTRY**

Dash No.	N Max	Cable Range	
		Min	Max
02	.968 (24.6)	.125 (3.2)	.250 (6.4)
03	1.046 (26.6)	.250 (6.4)	.375 (9.5)
04	1.156 (29.4)	.250 (6.4)	.500 (12.7)
05	1.218 (30.9)	.375 (9.5)	.625 (15.9)
06	1.343 (34.1)	.500 (12.7)	.750 (19.1)
07	1.468 (37.3)	.625 (15.9)	.875 (22.2)
08	1.593 (40.5)	.625 (15.9)	1.000 (25.4)
09	1.718 (43.6)	.750 (19.1)	1.125 (28.6)
10	1.843 (46.8)	.875 (22.2)	1.250 (31.8)