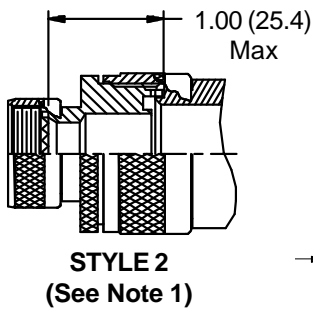
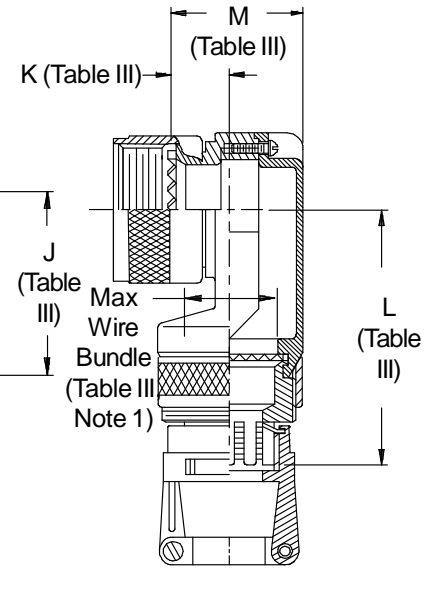
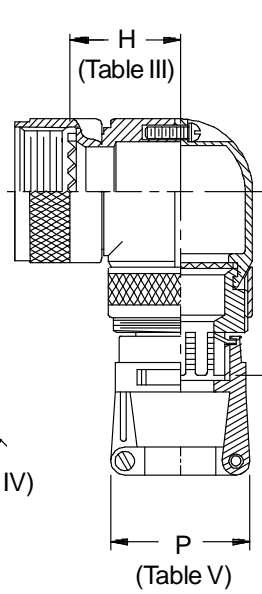
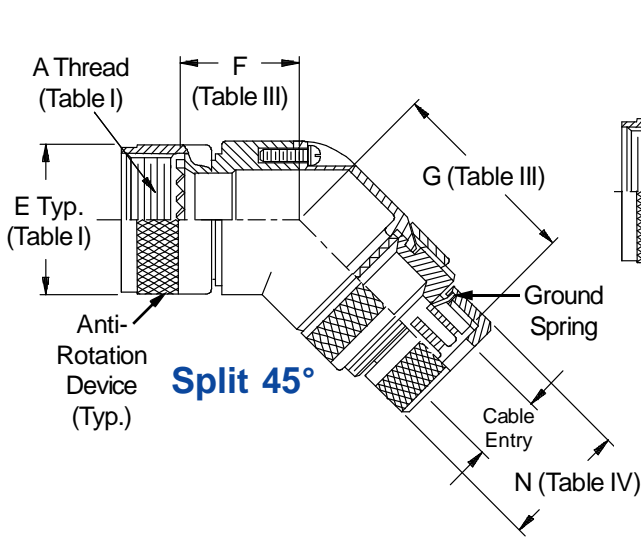
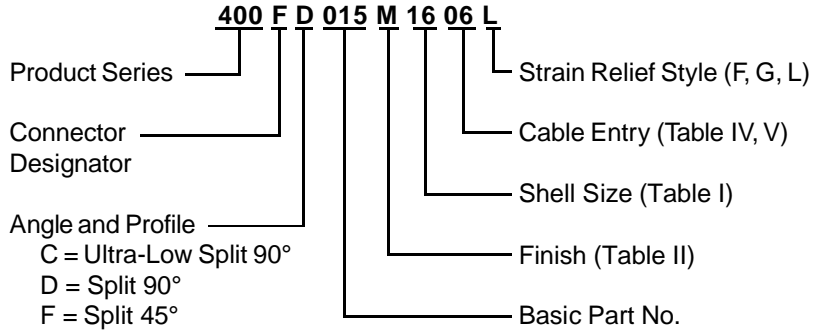


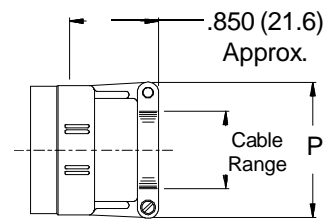
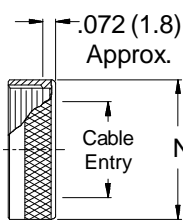
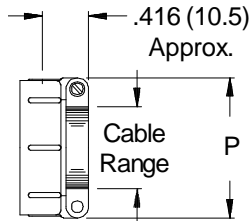
CONNECTOR DESIGNATORS
A-F-H-L-S
SELF-LOCKING
ROTATABLE
COUPLING



STYLE F
 Light Duty
 (Table V)

STYLE G
 Light Duty
 (Table IV)

STYLE L
 Light Duty
 (Table V)



400-015
TAG® Ring Backshell
with Strain Relief
Self-Locking Rotatable Coupling - Split Shell



See inside back cover
fold-out or pages 13 and
14 for Tables I and II.

| TABLE III: DIMENSIONS | | | | | | | | |
|-----------------------|--------------|--------------|--------------|--------------|-------------|--------------|--------------|----------------------------|
| Shell Size | F Max | G Max | H Max | J Max | K Ref | L Max | M Max | Function C Max Wire Bundle |
| 08/09 | .596 (15.1) | 1.500 (38.1) | .836 (21.2) | 1.440 (36.6) | .496 (12.6) | 2.060 (52.3) | .837 (21.3) | .250 (6.4) |
| 10/11 | .656 (16.7) | 1.560 (39.6) | .906 (23.0) | 1.500 (38.1) | .426 (10.8) | 2.220 (56.4) | .887 (22.5) | .375 (9.5) |
| 12/13 | .716 (18.2) | 1.630 (41.4) | .966 (24.5) | 1.570 (39.9) | .426 (10.8) | 2.220 (56.4) | .887 (22.5) | .375 (9.5) |
| 14/15 | .776 (19.7) | 1.660 (42.2) | 1.026 (26.1) | 1.600 (40.6) | .436 (11.1) | 2.290 (58.2) | .987 (25.1) | .500 (12.7) |
| 16/17 | .836 (21.2) | 1.760 (44.7) | 1.086 (27.6) | 1.700 (43.2) | .576 (14.6) | 2.340 (59.4) | 1.137 (28.9) | .625 (15.9) |
| 18/19 | .906 (23.0) | 1.820 (46.2) | 1.156 (29.4) | 1.760 (44.7) | .796 (20.2) | 2.370 (60.2) | 1.337 (34.0) | .625 (15.9) |
| 20/21 | .976 (24.8) | 1.880 (47.8) | 1.216 (30.9) | 1.820 (46.2) | .796 (20.2) | 2.370 (60.2) | 1.337 (34.0) | .625 (15.9) |
| 22/23 | 1.036 (26.3) | 1.940 (49.3) | 1.276 (32.4) | 1.880 (47.8) | .696 (17.7) | 2.520 (64.0) | 1.337 (34.0) | .750 (19.1) |
| 24/25 | 1.096 (27.8) | 2.000 (50.8) | 1.336 (33.9) | 1.940 (49.3) | .696 (17.7) | 2.520 (64.0) | 1.337 (34.0) | .750 (19.1) |

| TABLE IV: CABLE ENTRY | | |
|-----------------------|--------------|-----------------|
| Dash No. | N Max | Cable Entry Max |
| 02 | .545 (13.8) | .250 (6.4) |
| 03 | .670 (17.0) | .375 (9.5) |
| 04 | .795 (20.2) | .500 (12.7) |
| 05 | .920 (23.4) | .625 (15.9) |
| 06 | 1.045 (26.5) | .750 (19.1) |
| 07 | 1.170 (29.7) | .875 (22.2) |
| 08 | 1.295 (32.9) | 1.000 (25.4) |
| 09 | 1.420 (36.1) | 1.125 (28.6) |
| 10 | 1.670 (42.4) | 1.250 (31.8) |

| TABLE V: CABLE ENTRY | | | | |
|----------------------|--------------|-------------|--------------|--|
| Dash No. | P Max | Cable Range | | |
| | | Min | Max | |
| 02 | .968 (24.6) | .125 (3.2) | .250 (6.4) | |
| 03 | 1.046 (26.6) | .250 (6.4) | .375 (9.5) | |
| 04 | 1.156 (29.4) | .250 (6.4) | .500 (12.7) | |
| 05 | 1.218 (30.9) | .375 (9.5) | .625 (15.9) | |
| 06 | 1.343 (34.1) | .500 (12.7) | .750 (19.1) | |
| 07 | 1.468 (37.3) | .625 (15.9) | .875 (22.2) | |
| 08 | 1.593 (40.5) | .625 (15.9) | 1.000 (25.4) | |
| 09 | 1.718 (43.6) | .750 (19.1) | 1.125 (28.6) | |
| 10 | 1.843 (46.8) | .875 (22.2) | 1.250 (31.8) | |

1. When maximum cable entry (page 21) is exceeded, Style 2 will be supplied (not available in Function C). Dimensions F, G, H and J will not apply. Please consult factory.
2. Metric dimensions (mm) are indicated in parentheses.
3. Cable range is defined as the accommodations range for the wire bundle or cable. Dimensions shown are not intended for inspection criteria.
4. Angular function "C", low-profile split elbow, not available with "S" connector designator.