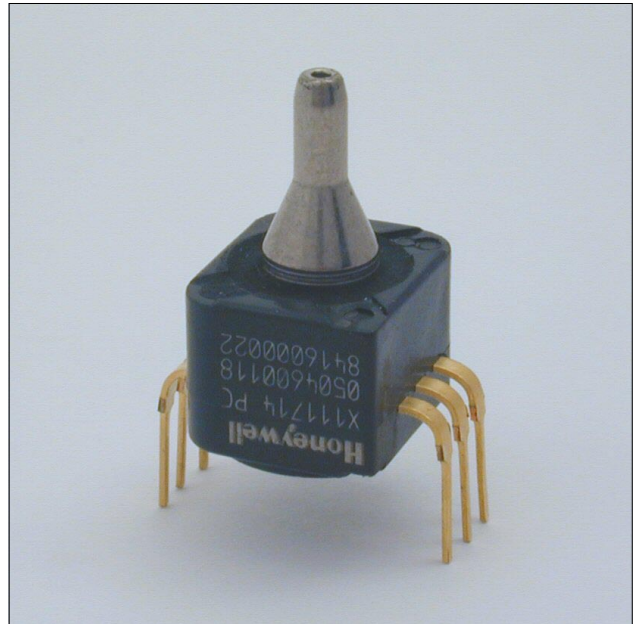


### FEATURES

- Pressure ranges from 0 ... ± 50 mmHg to 0 ... 500 psi gage
- High accuracy
- TTL power supply
- Ratiometric 0.5 to 4.5 V output
- Dual-Inline pinning for easy PCB-mounting
- Excellent media compatibility



### MEDIA COMPATIBILITY

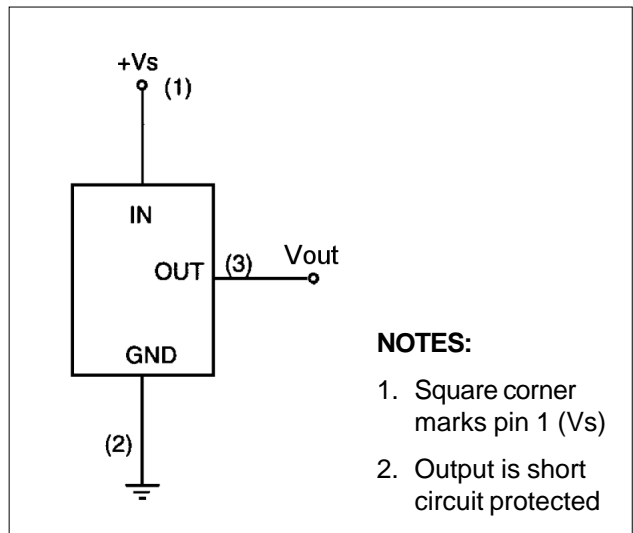
- P1: dry gases only
- P2: all media compatible with glass, silicon, stainless steel, Invar, Sn/Ni plating or Sn/Ag solder

### SPECIFICATIONS

#### Maximum ratings

|                           |                 |
|---------------------------|-----------------|
| Supply voltage ( $V_s$ )  | 4.75 ... 5.25 V |
| Output current            |                 |
| Source                    | 0.5 mA          |
| Sink                      | 1.0 mA          |
| Output load capacitance   | 10 nF           |
| Temperature limits        |                 |
| Operating                 | -45 to +125°C   |
| Storage                   | -55 to +125°C   |
| Compensated               | -45 to +125°C   |
| Humidity (non-condensing) | 0 - 95 %RH      |

### ELECTRICAL CONNECTION



# 40PC Series

## Fully signal conditioned pressure transducer

Honeywell

### PRESSURE RANGE SPECIFICATIONS

(unless otherwise noted,  $V_s = 5.00\text{ V}$ ,  $R_L > 100\text{ k}\Omega$ ,  $t_{amb} = 25^\circ\text{C}$ )

| Part number | Operating pressure range | Proof pressure <sup>1</sup> | Sensitivity (typ.) |
|-------------|--------------------------|-----------------------------|--------------------|
| 40PC001B2A  | 0 ... $\pm 50$ mmHg      | 170 mmHg                    | 40.0 mV/mmHg       |
| 40PC006G2A  | 0 ... 300 mmHg           | 650 mmHg                    | 13.33 mV/mmHg      |
| 40PC015G2A  | 0 ... 15 psig            | 45 psi                      | 266.7 mV/psi       |
| 40PC015V2A  | 0 ... -15 psig           | 30 psi                      | -266.7 mV/psi      |
| 40PC030G2A  | 0 ... 30 psig            | 60 psi                      | 133.3 mV/psi       |
| 40PC100G2A  | 0 ... 100 psig           | 200 psi                     | 40.0 mV/psi        |
| 40PC150G2A  | 0 ... 150 psig           | 300 psi                     | 25.7 mV/psi        |
| 40PC250G2A  | 0 ... 250 psig           | 500 psi                     | 16.0 mV/psi        |
| 40PC500G2A  | 0 ... 500 psig           | 1000 psi                    | 8.0 mV/psi         |

#### Specification notes:

1. Proof pressure is the maximum pressure which may be applied without causing damage to the sensing element.
2. Non-linearity - the maximum deviation of measured output at constant temperature, from "Best Straight Line" through three points (offset pressure, full scale pressure and 1/2 full scale pressure).
3. Thermal effects tested and guaranteed in the specified temperature ranges relative to 25°C. All specifications shown are relative to 25°C.
4. Span is the algebraic difference between lowest and highest specified pressure.
5. Total accuracy is the maximum deviation from the 25°C reference transfer function at any pressure or temperature over the specified ranges. This calculation includes null, span, linearity, hysteresis, repeatability, null shift and span shift.
6. Response time for 0 to full-scale pressure step change, readings taken at 10 % and 90 % of full-scale pressure.

#### **40PC001B2A PERFORMANCE CHARACTERISTICS**

(unless otherwise noted,  $V_s = 5.00\text{ V}$ ,  $R_L > 100\text{ k}\Omega$ ,  $t_{amb} = 25^\circ\text{C}$ )

| Characteristics   |             | Min. | Typ.  | Max.  | Unit |
|---|-------------|------|-------|-------|------|
| Operating pressure  |             | -50  |       | +50   | mmHg |
| Zero pressure offset                                      |             | 2.45 | 2.50  | 2.55  | V    |
| Span <sup>4</sup>   |             |      | 4.0   |       |      |
| Output  | at -50 mmHg |      | 0.5   |       |      |
|   | at +50 mmHg |      | 4.5   |       |      |
| Thermal effects (0 to 50°C) <sup>3</sup>                  | Offset      |      |       | ±1.50 | %FSS |
|   | Span        |      |       | ±1.50 |      |
| Non-linearity (BSL) <sup>2</sup>                          |             |      |       | ±0.8  |      |
| Hysteresis and repeatability                              |             |      | ±0.15 |       |      |
| Ratiometricity error ( $V_s = 4.75 \dots 5.25\text{ V}$ ) |             |      | ±0.25 |       |      |
| Current consumption (no load)                             |             |      |       | 10.0  | mA   |
| Response time <sup>6</sup>                                |             |      | 1     |       | ms   |

#### **40PC006G2A PERFORMANCE CHARACTERISTICS**

(unless otherwise noted,  $V_s = 5.00\text{ V}$ ,  $R_L > 100\text{ k}\Omega$ ,  $t_{amb} = 25^\circ\text{C}$ )

| Characteristics   |                          | Min.          | Typ.  | Max.  | Unit |
|---|--------------------------|---------------|-------|-------|------|
| Operating pressure  |                          | 0             |       | 300   | mmHg |
| Zero pressure offset                                      |                          | 0.45          | 0.50  | 0.55  | V    |
| Span <sup>4</sup>   |                          | 3.95          | 4.00  | 4.05  |      |
| Full scale output   |                          |               | 4.5   |       |      |
| Thermal effects <sup>3</sup>                              | Offset                   | -18 to +63°C  |       | ±1.25 | %FSS |
|   |                          | -45 to +125°C |       | ±2.75 |      |
|   | Span                     | -18 to +63°C  |       | ±0.75 |      |
|   |                          | -45 to +125°C |       | ±2.0  |      |
|   | Combined offset and span | -18 to +63°C  |       | ±1.5  |      |
|   |                          | -45 to +125°C |       | ±4.0  |      |
| Total accuracy <sup>5</sup>                               |                          |               |       | ±4.0  |      |
| Non-linearity (BSL) <sup>2</sup>                          |                          |               |       | ±0.2  |      |
| Hysteresis and repeatability                              |                          |               | ±0.15 |       |      |
| Ratiometricity error ( $V_s = 4.75 \dots 5.25\text{ V}$ ) |                          |               | ±0.25 |       |      |
| Current consumption (no load)                             |                          |               |       | 10.0  | mA   |
| Response time <sup>6</sup>                                |                          |               | 1     |       | ms   |

# 40PC Series

## Fully signal conditioned pressure transducer

# Honeywell

### 40PC015G2A PERFORMANCE CHARACTERISTICS

(unless otherwise noted,  $V_S = 5.00\text{ V}$ ,  $R_L > 100\text{ k}\Omega$ ,  $t_{amb} = 25^\circ\text{C}$ )

| Characteristics   |                          |              | Min. | Typ.  | Max.  | Unit |
|---|--------------------------|--------------|------|-------|-------|------|
| Operating pressure  |                          |              | 0    |       | 15    | psig |
| Zero pressure offset                                      |                          |              | 0.39 | 0.50  | 0.61  | V    |
| Span <sup>4</sup>   |                          |              | 3.89 | 4.00  | 4.11  |      |
| Full scale output   |                          |              |      | 4.5   |       |      |
| Thermal effects <sup>3</sup>                              | Offset                   | -18 to +63°C |      |       | ±2.0  | %FSS |
|   |                          | -45 to +85°C |      |       | ±2.75 |      |
|   | Span                     | -18 to +63°C |      |       | ±0.75 |      |
|   |                          | -45 to +85°C |      |       | ±1.0  |      |
|   | Combined offset and span | -18 to +63°C |      |       | ±2.0  |      |
|   |                          | -45 to +85°C |      |       | ±3.0  |      |
| Total accuracy <sup>5</sup>                               |                          |              |      |       | ±4.0  |      |
| Non-linearity (BSL) <sup>2</sup>                          |                          |              |      |       | ±0.2  |      |
| Hysteresis and repeatability                              |                          |              |      | ±0.15 |       |      |
| Ratiometricity error ( $V_S = 4.75 \dots 5.25\text{ V}$ ) |                          |              |      | ±0.25 |       |      |
| Current consumption (no load)                             |                          |              |      |       | 10.0  | mA   |
| Response time <sup>6</sup>                                |                          |              |      | 1     |       | ms   |

### 40PC015V2A PERFORMANCE CHARACTERISTICS

(unless otherwise noted,  $V_S = 5.00\text{ V}$ ,  $R_L > 100\text{ k}\Omega$ ,  $t_{amb} = 25^\circ\text{C}$ )

| Characteristics   |                             |              | Min. | Typ.  | Max.  | Unit |
|---|-----------------------------|--------------|------|-------|-------|------|
| Operating pressure  |                             |              | 0    |       | -15   | psig |
| Zero pressure offset                                      |                             |              | 0.46 | 0.50  | 0.54  | V    |
| Span <sup>4</sup>   |                             |              | 3.9  | 4.0   | 4.1   |      |
| Full scale output   |                             |              |      | 4.5   |       |      |
| Thermal effects <sup>3</sup>                              | Offset                      | -18 to +25°C |      |       | ±0.75 | %FSS |
|   |                             | -45 to +85°C |      |       | ±1.0  |      |
|   | Span                        | -18 to +25°C |      |       | ±2.0  |      |
|   |                             | +25 to +85°C |      |       | ±1.25 |      |
|   | Combined offset and span    | -45 to +25°C |      |       | ±2.25 |      |
|   |                             | -18 to +25°C |      |       | ±1.5  |      |
|   |                             | +25 to +85°C |      |       | ±1.0  |      |
|   | Total accuracy <sup>5</sup> |              |      |       |       |      |
| Non-linearity (BSL) <sup>2</sup>                          |                             |              |      |       | ±2.25 |      |
| Hysteresis and repeatability                              |                             |              |      | ±0.15 |       |      |
| Ratiometricity error ( $V_S = 4.75 \dots 5.25\text{ V}$ ) |                             |              |      | ±0.25 |       |      |
| Current consumption (no load)                             |                             |              |      |       | 10.0  | mA   |
| Response time <sup>6</sup>                                |                             |              |      | 1     |       | ms   |

### **40PC030G2A PERFORMANCE CHARACTERISTICS**

(unless otherwise noted,  $V_s = 5.00\text{ V}$ ,  $R_L > 100\text{ k}\Omega$ ,  $t_{amb} = 25^\circ\text{C}$ )

| Characteristics   |                             |               | Min. | Typ.  | Max.  | Unit |
|---|-----------------------------|---------------|------|-------|-------|------|
| Operating pressure  |                             |               | 0    |       | 30    | psig |
| Zero pressure offset                                      |                             |               | 0.46 | 0.50  | 0.54  | V    |
| Span <sup>4</sup>   |                             |               | 3.92 | 4.00  | 4.08  |      |
| Full scale output   |                             |               |      | 4.5   |       |      |
| Thermal effects <sup>3</sup>                              | Offset                      | -18 to +63°C  |      |       | ±1.5  | %FSS |
|   |                             | -45 to +85°C  |      |       | ±2.0  |      |
|   |                             | -45 to +125°C |      |       | ±2.25 |      |
|   | Span                        | -18 to +63°C  |      |       | ±1.5  |      |
|   |                             | -45 to +85°C  |      |       | ±2.0  |      |
|   |                             | -45 to +125°C |      |       | ±2.25 |      |
|   | Combined offset and span    | -18 to +63°C  |      |       | ±2.0  |      |
|   |                             | -45 to +125°C |      |       | ±2.25 |      |
|   | Total accuracy <sup>5</sup> |               |      |       |       |      |
| Non-linearity (BSL) <sup>2</sup>                          |                             |               |      |       | ±0.3  |      |
| Hysteresis and repeatability                              |                             |               |      | ±0.15 |       |      |
| Ratiometricity error ( $V_s = 4.75 \dots 5.25\text{ V}$ ) |                             |               |      | ±0.25 |       |      |
| Current consumption (no load)                             |                             |               |      |       | 10.0  | mA   |
| Response time <sup>6</sup>                                |                             |               |      | 1     |       | ms   |

### **40PC100G2A PERFORMANCE CHARACTERISTICS**

(unless otherwise noted,  $V_s = 5.00\text{ V}$ ,  $R_L > 100\text{ k}\Omega$ ,  $t_{amb} = 25^\circ\text{C}$ )

| Characteristics   |                          |               | Min. | Typ.  | Max.  | Unit |
|---|--------------------------|---------------|------|-------|-------|------|
| Operating pressure  |                          |               | 0    |       | 100   | psig |
| Zero pressure offset                                      |                          |               | 0.46 | 0.50  | 0.54  | V    |
| Span <sup>4</sup>   |                          |               | 3.91 | 4.0   | 4.09  |      |
| Full scale output   |                          |               |      | 4.5   |       |      |
| Thermal effects <sup>3</sup>                              | Offset                   | -18 to +63°C  |      |       | ±1.25 | %FSS |
|   |                          | -45 to +85°C  |      |       | ±2.0  |      |
|   |                          | -45 to +125°C |      |       | ±3.0  |      |
|   | Span                     | -18 to +63°C  |      |       | ±0.75 |      |
|   |                          | -45 to +85°C  |      |       | ±1.0  |      |
|   |                          | -45 to +125°C |      |       | ±2.0  |      |
|   | Combined offset and span | -18 to +63°C  |      |       | ±1.5  |      |
|   |                          | -45 to +85°C  |      |       | ±2.5  |      |
|   |                          | -45 to +125°C |      |       | ±3.0  |      |
| Total accuracy <sup>6</sup>                               |                          |               |      |       | ±3.0  |      |
| Non-linearity (BSL) <sup>2</sup>                          |                          |               |      |       | ±0.1  |      |
| Hysteresis and repeatability                              |                          |               |      | ±0.15 |       |      |
| Ratiometricity error ( $V_s = 4.75 \dots 5.25\text{ V}$ ) |                          |               |      | ±0.25 |       |      |
| Current consumption (no load)                             |                          |               |      |       | 10.0  | mA   |
| Response time <sup>6</sup>                                |                          |               |      | 1     |       | ms   |

# 40PC Series

## Fully signal conditioned pressure transducer

# Honeywell

### **40PC150G2A** PERFORMANCE CHARACTERISTICS

(unless otherwise noted,  $V_s = 5.00$  V,  $R_L > 100$  k $\Omega$ ,  $t_{amb} = 25^\circ\text{C}$ )

| Characteristics                                   |                          |               | Min. | Typ.  | Max.  | Unit |
|---|--------------------------|---------------|------|-------|-------|------|
| Operating pressure                                |                          |               | 0    |       | 150   | psig |
| Zero pressure offset                              |                          |               | 0.46 | 0.50  | 0.54  | V    |
| Span <sup>4</sup>                                 |                          |               | 3.93 | 4.0   | 4.07  |      |
| Full scale output                                 |                          |               |      | 4.5   |       |      |
| Thermal effects <sup>3</sup>                      | Offset                   | -18 to +63°C  |      |       | ±0.75 | %FSS |
|   |                          | -45 to +85°C  |      |       | ±1.0  |      |
|   |                          | -45 to +125°C |      |       | ±1.5  |      |
|   | Span                     | -18 to +63°C  |      |       | ±0.75 |      |
|   |                          | -45 to +85°C  |      |       | ±1.0  |      |
|   |                          | -45 to +125°C |      |       | ±1.5  |      |
|   | Combined offset and span | -18 to +63°C  |      |       | ±0.75 |      |
|   |                          | -45 to +85°C  |      |       | ±1.0  |      |
|   |                          | -45 to +125°C |      |       | ±1.5  |      |
| Total accuracy <sup>5</sup>                       |                          |               |      |       | ±2.5  |      |
| Non-linearity (BSL) <sup>2</sup>                  |                          |               |      |       | ±0.1  |      |
| Hysteresis and repeatability                      |                          |               |      | ±0.15 |       |      |
| Ratiometricity error ( $V_s = 4.75 \dots 5.25$ V) |                          |               |      | ±0.25 |       |      |
| Current consumption (no load)                     |                          |               |      |       | 10.0  | mA   |
| Response time <sup>6</sup>                        |                          |               |      | 1     |       | ms   |

### **40PC250G2A** PERFORMANCE CHARACTERISTICS

(unless otherwise noted,  $V_s = 5.00$  V,  $R_L > 100$  k $\Omega$ ,  $t_{amb} = 25^\circ\text{C}$ )

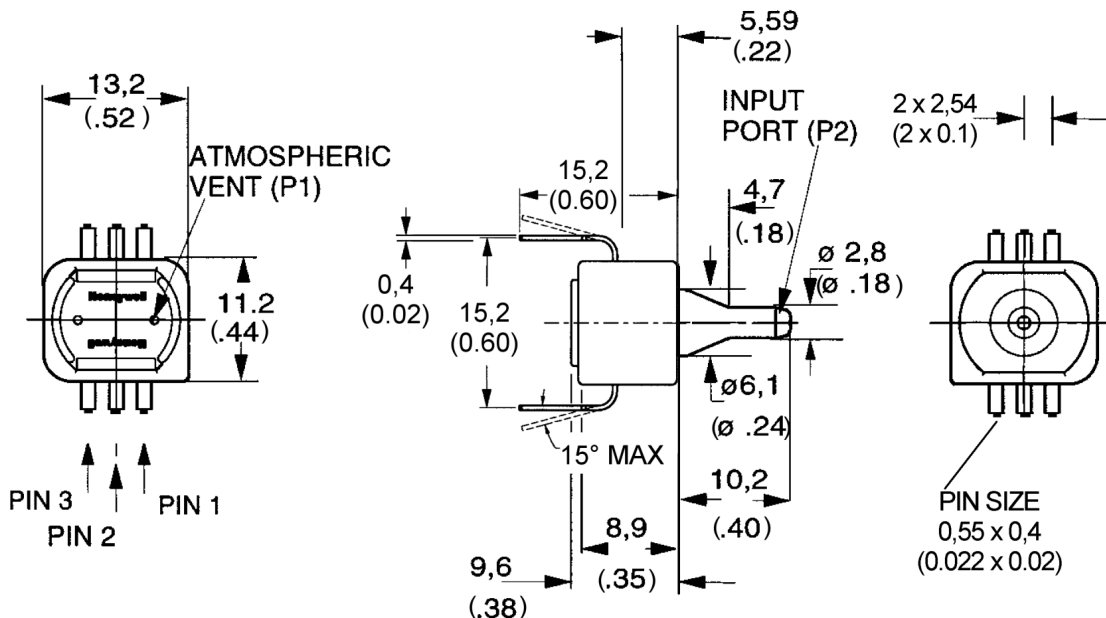
| Characteristics                                   |                          |               | Min. | Typ.  | Max.  | Unit |
|---|--------------------------|---------------|------|-------|-------|------|
| Operating pressure                                |                          |               | 0    |       | 250   | psig |
| Zero pressure offset                              |                          |               | 0.46 | 0.50  | 0.54  | V    |
| Span <sup>4</sup>                                 |                          |               | 3.93 | 4.0   | 4.07  |      |
| Full scale output                                 |                          |               |      | 4.5   |       |      |
| Thermal effects <sup>3</sup>                      | Offset                   | -18 to +63°C  |      |       | ±0.75 | %FSS |
|   |                          | -45 to +85°C  |      |       | ±1.0  |      |
|   |                          | -45 to +125°C |      |       | ±2.0  |      |
|   | Span                     | -18 to +63°C  |      |       | ±0.75 |      |
|   |                          | -45 to +85°C  |      |       | ±1.0  |      |
|   |                          | -45 to +125°C |      |       | ±2.0  |      |
|   | Combined offset and span | -18 to +63°C  |      |       | ±0.75 |      |
|   |                          | -45 to +85°C  |      |       | ±1.0  |      |
|   |                          | -45 to +125°C |      |       | ±3.0  |      |
| Total accuracy <sup>5</sup>                       |                          |               |      |       | ±3.0  |      |
| Non-linearity (BSL) <sup>2</sup>                  |                          |               |      |       | ±0.1  |      |
| Hysteresis and repeatability                      |                          |               |      | ±0.15 |       |      |
| Ratiometricity error ( $V_s = 4.75 \dots 5.25$ V) |                          |               |      | ±0.25 |       |      |
| Current consumption (no load)                     |                          |               |      |       | 10.0  | mA   |
| Response time <sup>6</sup>                        |                          |               |      | 1     |       | ms   |

### 40PC500G2A PERFORMANCE CHARACTERISTICS

(unless otherwise noted,  $V_S = 5.00\text{ V}$ ,  $R_L > 100\text{ k}\Omega$ ,  $t_{amb} = 25^\circ\text{C}$ )

| Characteristics   |                          | Min.          | Typ.  | Max.  | Unit |
|---|--------------------------|---------------|-------|-------|------|
| Operating pressure  |                          | 0             |       | 500   | psig |
| Zero pressure offset                                      |                          | 0.46          | 0.50  | 0.54  | V    |
| Span <sup>4</sup>   |                          | 3.91          | 4.0   | 4.09  |      |
| Full scale output   |                          |               | 4.5   |       |      |
| Thermal effects <sup>3</sup>                              | Offset                   | -18 to +63°C  |       | ±1.0  | %FSS |
|   |                          | -45 to +85°C  |       | ±1.5  |      |
|   |                          | -45 to +125°C |       | ±2.5  |      |
|   | Span                     | -18 to +63°C  |       | ±0.75 |      |
|   |                          | -45 to +85°C  |       | ±1.0  |      |
|   |                          | -45 to +125°C |       | ±1.5  |      |
|   | Combined offset and span | -18 to +63°C  |       | ±1.0  |      |
|   |                          | -45 to +85°C  |       | ±1.75 |      |
|   |                          | -45 to +125°C |       | ±3.0  |      |
| Total accuracy <sup>5</sup>                               |                          |               |       | ±3.0  |      |
| Non-linearity (BSL) <sup>2</sup>                          |                          |               |       | ±0.2  |      |
| Hysteresis and repeatability                              |                          |               | ±0.15 |       |      |
| Ratiometricity error ( $V_S = 4.75 \dots 5.25\text{ V}$ ) |                          |               | ±0.25 |       |      |
| Current consumption (no load)                             |                          |               |       | 10.0  | mA   |
| Response time <sup>6</sup>                                |                          |               | 1     |       | ms   |

### OUTLINE DRAWING



mass: 4 g

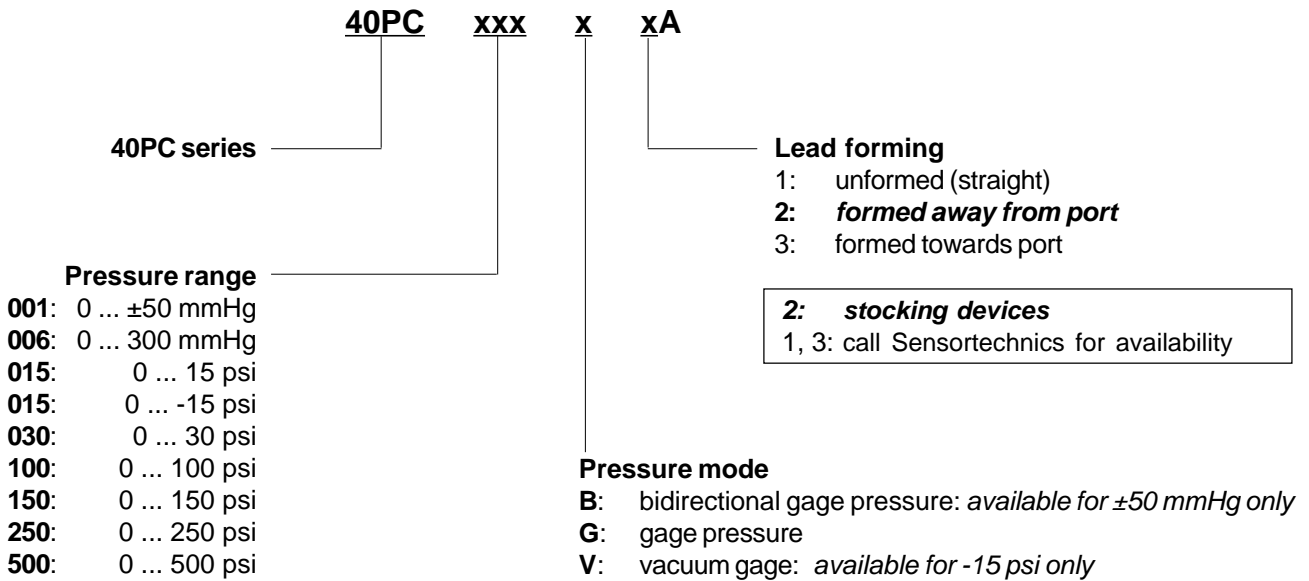
dimensions in mm (inches)

# 40PC Series

## Fully signal conditioned pressure transducer

# Honeywell

### ORDERING INFORMATION



Sensortechncs reserves the right to make changes to any products herein. Sensortechncs does not assume any liability arising out of the application or use of any product or circuit described herein, neither does it convey any license under its patent rights nor the rights of others.