

2133 & 4133 Series

Front-End Filters: 10.0MHz to 220 MHz

- Fixed bandwidth (± 6.75 kHz) 2-pole and 4-pole crystal filters
- Applications where filtering incoming radio signals is required to reduce or eliminate interference

Ordering Information

2133/4133 VBB 00.000
MHz

Product Series _____

Designator _____

Blank=F (Through Hole)
See chart for correct designator or
contact the factory for additional connector types

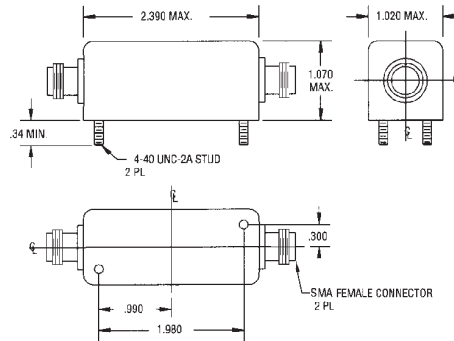
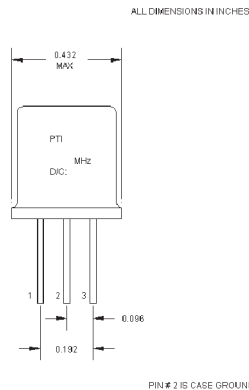
Frequency _____

(Customer Specified)
See Frequency Range Chart

The ordering convention for a connectorized 2133/4133 Series filters with SMA-Female connectors on both the input and output would be 4133VBM @ 100.00MHz. For other, most popular connector types, reference the table and for others not listed consult the factory.

Designator	Connector Set (Input & Output)	Designator	Connector Set (Input & Output)
VBB	BNC-Female & BNC-Female	VBP	RCA- Female & RCA- Female
VBC	UHF- Female & UHF- Female	VBR	N- Female & N-Male
VBI	OSM-212 & OSM-212	VBU	F- Female & F- Female
VBL	TNC- Female & TNC- Female	VBV	SMC- Female & SMC- Female
VBM	SMA- Female & SMA- Female	VBW	UHF- Female & S)-239
VBN	N- Female & N- Female	VBX	N-Male & N-Male
VBO	BNC-Male & BNC- Female	VBZ	PL-259 and SO-239

2133/4133
2-pole or
4-pole
tandem set
F case
package



2133/4133
50 Ω terminated
connectorized
package

Family Designation	Frequency Range (MHz)	Stopband	Insertion Loss (dB)	Amplitude Ripple (dB)	Ultimate Attenuation (dB)	Operating Temperature
2133	10.0 to 35.99	± 40.0 kHz @ 20dB	3	1.0	30	-20°C to +70°C
	36.0 to 89.99	± 40.0 kHz @ 20dB	4		30	
	90.0 to 137.99	± 60.0 kHz @ 20dB	4		30	
	138.0 to 220.0	± 60.0 kHz @ 20dB	5		30	
4133	10.0 to 35.99	± 26.0 kHz @ 20dB	3		60	
		± 50.0 kHz @ 40dB	4		60	
	36.0 to 89.99	± 26.0 kHz @ 20dB	4		50	
		± 50.0 kHz @ 40dB	5		60	
	90.0 to 137.99	± 30.0 kHz @ 20dB	5		60	
		± 50.0 kHz @ 40dB	6		60	
	138.0 to 220.0	± 30.0 kHz @ 20dB	6		60	
		± 50.0 kHz @ 40dB	7		60	

MtronPTI reserves the right to make changes to the product(s) and service(s) described herein without notice. No liability is assumed as a result of their use or application.

Please see www.mtronpti.com for our complete offering and detailed datasheets. Contact us for your application specific requirements: MtronPTI 1-800-762-8800.