

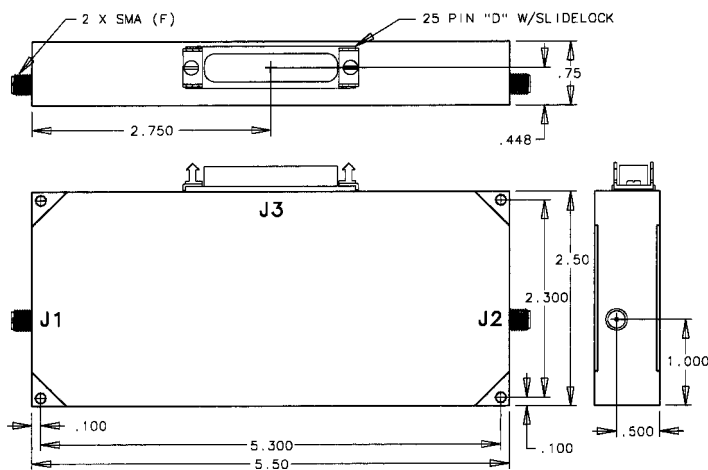
CONNECTORIZED PHASE SHIFTERS



ELECTRICAL CHARACTERISTICS

PART #	TYPE	FREQ RANGE GHz	LOSS dB	PHASE SHIFT	VSWR	SWITCH SPEED ns	RF POWER dBm	DC SUPPLY Volts
4031	6 Bit	1.2-1.5	1.7	360°	1.5:1	1500	50	+5,-70
4032	6 Bit	9-10	3.5	360°	2.0:1	25	20	+5,-5

PACKAGE OUTLINE



DESCRIPTION

Digital phase shifters optimized for low loss and/or high power. Each one features a unique capability which allows it to be used in either the transmit or receive path. Hermetic, military/industrial design.

ADDITIONAL FEATURES (#4031)

- Low loss: 1.7 dB
- RF power: 50 dBm

CONNECTORS

- SMA

OPERATING ENVIRONMENT

- Operating Temperature: -55 to +125°C
- Storage Temperature: -65 to +150°C
- Impedance: 50 ohm
- Control: TTL (complementary)

APPLICATIONS

- Phased array radar
- Satellite communications

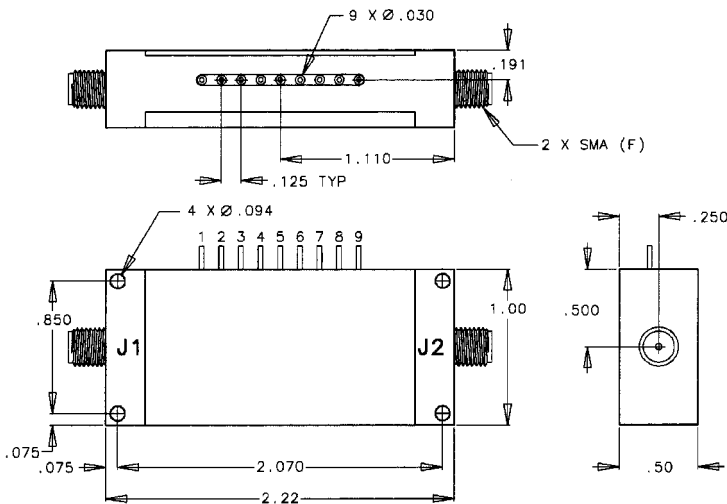
CONNECTORIZED PHASE SHIFTER



ELECTRICAL CHARACTERISTICS

PART #	TYPE	FREQ RANGE GHz	LOSS dB	PHASE SHIFT	VSWR	SWITCH SPEED ns	RF POWER dBm	DC SUPPLY Volts
4033	5 Bit	6-18	10	360°	2.0:1	25	10	+5

PACKAGE OUTLINE



DESCRIPTION

A digital phase shifter optimized for high frequency (6 to 18 GHz), flat phase versus frequency, low power applications. Hermetic, military/ industrial design.

ADDITIONAL FEATURES

- Current: <2 ma
- Accuracy: <5%

CONNECTORS

- SMA

OPERATING ENVIRONMENT

- Operating Temperature: -55 to +125°C
- Storage Temperature: -65 to +150°C
- Impedance: 50 ohm
- Control: Transistor-Transistor Logic (TTL)

APPLICATIONS

- Automatic test (ATE)
- Communication channel emulator
- Phase tuner

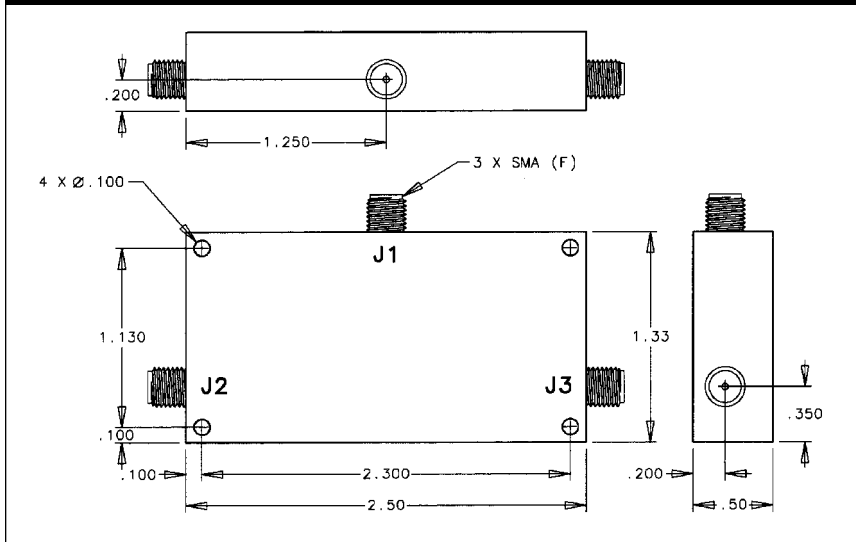
CONNECTORIZED PHASE SHIFTERS



ELECTRICAL CHARACTERISTICS

PART #	TYPE	FREQ RANGE GHz	LOSS dB	PHASE SHIFT	VSWR	SWITCH SPEED ns	RF POWER dBm	DC SUPPLY Volts
4034	Variable	2-4	5.0	180°	2.0:1	1	10	1-10
4035	Variable	4-8	5.5	180°	2.0:1	1	10	1-10
4036	Variable	8-12	6.0	180°	2.0:1	1	10	1-10
4037	Variable	12-18	6.5	180°	2.0:1	1	10	1-10

PACKAGE OUTLINE



DESCRIPTION

These analog phase shifters are optimized for low phase noise and ideally suited for use in high performance radar systems. Hermetic, military/industrial design.

ADDITIONAL FEATURES (#4034)

■ Phase noise:
<160 dBc @100 kHz offset

CONNECTORS

■ SMA

OPERATING ENVIRONMENT

■ Operating Temperature:
-55 to +125°C

■ Storage Temperature:
-65 to +150°C

■ Impedance:
50 ohm

■ Control:
Analog

APPLICATIONS

■ Radar simulator
■ Bi-phase modulator
■ Communications path simulation