

**CONNECTOR  
 DESIGNATORS**  
**A-B\*-C-D-E-F**  
**G-H-J-K-L-S**

\* Conn. Desig. B See Note 3  
**DIRECT COUPLING**



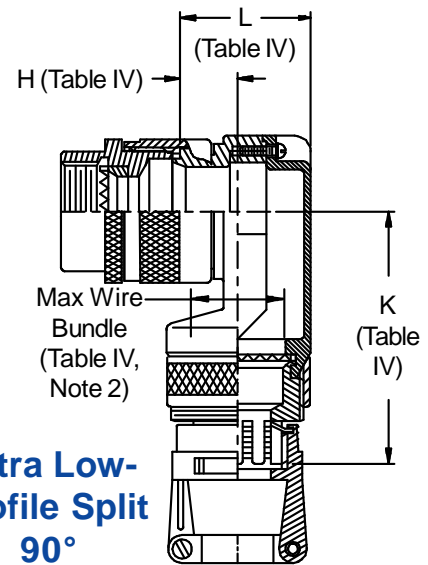
**STYLE F**  
 Light Duty  
 (Table VI)



**STYLE G**  
 Light Duty  
 (Table V)



**STYLE L**  
 Light Duty  
 (Table VI)



**400-002**  
**TAG® Ring Backshell**  
 with Strain Relief  
 Direct Coupling - Split Shell



**TABLE III: FRONT ADAPTER**

| Shell Size | J Max - Conn. Designator |              |              |
|------------|--------------------------|--------------|--------------|
|            | A-E-F<br>J-H-L-S         | D-B-G-K      | C            |
| 08/09      | 1.180 (30.0)             | 1.250 (31.8) |              |
| 10/11      | 1.180 (30.0)             | 1.250 (31.8) |              |
| 12/13      | 1.180 (30.0)             | 1.250 (31.8) | 1.735 (44.1) |
| 14/15      | 1.180 (30.0)             | 1.250 (31.8) | 1.915 (48.6) |
| 16/17      | 1.380 (35.0)             | 1.560 (39.6) | 1.915 (48.6) |
| 18/19      | 1.380 (35.0)             | 1.560 (39.6) | 1.915 (48.6) |
| 20/21      | 1.380 (35.0)             | 1.560 (39.6) | 1.915 (48.6) |
| 22/23      | 1.380 (35.0)             | 1.560 (39.6) | 1.915 (48.6) |
| 24/25      | 1.380 (35.0)             | 1.560 (39.6) | 1.915 (48.6) |
| 28/29      | 1.610 (40.9)             | 1.560 (39.6) | 1.915 (48.6) |
| 32/33      | 1.610 (40.9)             | 1.750 (44.5) | 1.915 (48.6) |
| 36         | 1.610 (40.9)             | 1.750 (44.5) | 1.915 (48.6) |
| 40         | 1.610 (40.9)             | 2.190 (55.6) | 1.915 (48.6) |

See inside back cover  
 fold-out or pages 13 and  
 14 for Tables I and II.

1. Metric dimensions (mm) are indicated in parentheses.
2. Cable range is defined as the accommodations range for the wire bundle or cable. Dimensions shown are not intended for inspection criteria.
3. When using Connector Designator B refer to pages 18 and 19 for part number development.

**TABLE IV: DIMENSIONS**

| Dash No. | D Max       | E Max        | F Max        | G Max        | H Max       | K Max        | L Max        | Function C Max Wire Bundle |
|----------|-------------|--------------|--------------|--------------|-------------|--------------|--------------|----------------------------|
| 02       | .440 (11.2) | 1.500 (38.1) | .680 (17.3)  | 1.440 (36.6) | .340 (8.6)  | 2.060 (52.3) | .681 (17.3)  | .250 (6.4)                 |
| 03       | .500 (12.7) | 1.560 (39.6) | .750 (19.1)  | 1.500 (38.1) | .270 (6.9)  | 2.220 (56.4) | .731 (18.6)  | .375 (9.5)                 |
| 04       | .560 (14.2) | 1.630 (41.4) | .810 (20.6)  | 1.570 (39.9) | .270 (6.9)  | 2.220 (56.4) | .731 (18.6)  | .375 (9.5)                 |
| 05       | .620 (15.7) | 1.660 (42.2) | .870 (22.1)  | 1.600 (40.6) | .280 (7.1)  | 2.290 (58.2) | .831 (21.1)  | .500 (12.7)                |
| 06       | .680 (17.3) | 1.760 (44.7) | .930 (23.6)  | 1.700 (43.2) | .420 (10.7) | 2.340 (59.4) | .981 (24.9)  | .625 (15.9)                |
| 07       | .750 (19.1) | 1.820 (46.2) | 1.000 (25.4) | 1.760 (44.7) | .640 (16.3) | 2.370 (60.2) | 1.181 (30.0) | .625 (15.9)                |
| 08       | .820 (20.8) | 1.880 (47.8) | 1.060 (26.9) | 1.820 (46.2) | .640 (16.3) | 2.370 (60.2) | 1.181 (30.0) | .625 (15.9)                |
| 09       | .880 (22.4) | 1.940 (49.3) | 1.120 (28.4) | 1.880 (47.8) | .540 (13.7) | 2.520 (64.0) | 1.181 (30.0) | .750 (19.1)                |
| 10       | .940 (23.9) | 2.000 (50.8) | 1.180 (30.0) | 1.940 (49.3) | .540 (13.7) | 2.520 (64.0) | 1.181 (30.0) | .750 (19.1)                |

**TABLE V: CABLE ENTRY**

| Dash No. | M Max        | Cable Entry Max |
|----------|--------------|-----------------|
| 02       | .545 (13.8)  | .250 (6.4)      |
| 03       | .670 (17.0)  | .375 (9.5)      |
| 04       | .795 (20.2)  | .500 (12.7)     |
| 05       | .920 (23.4)  | .625 (15.9)     |
| 06       | 1.045 (26.5) | .750 (19.1)     |
| 07       | 1.170 (29.7) | .875 (22.2)     |
| 08       | 1.295 (32.9) | 1.000 (25.4)    |
| 09       | 1.420 (36.1) | 1.125 (28.6)    |
| 10       | 1.670 (42.4) | 1.250 (31.8)    |

**TABLE VI: CABLE ENTRY**

| Dash No. | N Max        | Cable Range |              |
|----------|--------------|-------------|--------------|
|          |              | Min         | Max          |
| 02       | .968 (24.6)  | .125 (3.2)  | .250 (6.4)   |
| 03       | 1.046 (26.6) | .250 (6.4)  | .375 (9.5)   |
| 04       | 1.156 (29.4) | .250 (6.4)  | .500 (12.7)  |
| 05       | 1.218 (30.9) | .375 (9.5)  | .625 (15.9)  |
| 06       | 1.343 (34.1) | .500 (12.7) | .750 (19.1)  |
| 07       | 1.468 (37.3) | .625 (15.9) | .875 (22.2)  |
| 08       | 1.593 (40.5) | .625 (15.9) | 1.000 (25.4) |
| 09       | 1.718 (43.6) | .750 (19.1) | 1.125 (28.6) |
| 10       | 1.843 (46.8) | .875 (22.2) | 1.250 (31.8) |