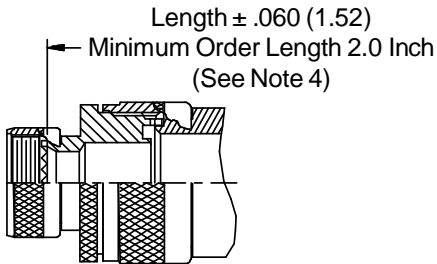
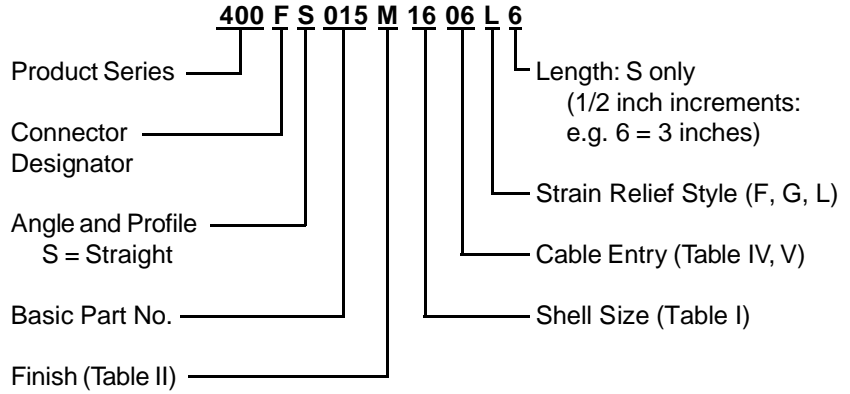
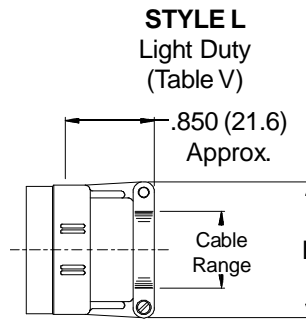
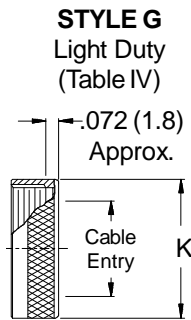
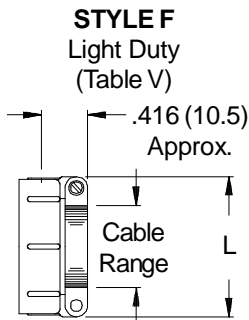
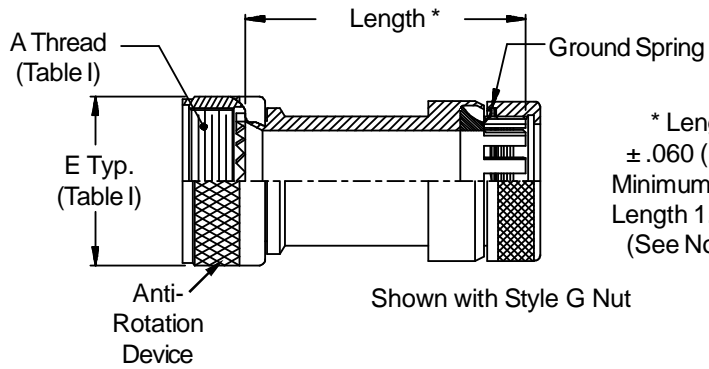


**CONNECTOR
 DESIGNATORS
 A-F-H-L-S
 SELF-LOCKING
 ROTATABLE
 COUPLING**



**STYLE 2
 (STRAIGHT
 See Note 1)**



400-015
TAG® Ring Backshell
with Strain Relief
Self-Locking Rotatable Coupling - Straight Only



See inside back cover
fold-out or pages 13 and
14 for Tables I and II.

TABLE IV: CABLE ENTRY

Dash No.	K		Cable Entry	
	Max		Max	
02	.545	(13.8)	.250	(6.4)
03	.670	(17.0)	.375	(9.5)
04	.795	(20.2)	.500	(12.7)
05	.920	(23.4)	.625	(15.9)
06	1.045	(26.5)	.750	(19.1)
07	1.170	(29.7)	.875	(22.2)
08	1.295	(32.9)	1.000	(25.4)
09	1.420	(36.1)	1.125	(28.6)
10	1.670	(42.4)	1.250	(31.8)

TABLE V: CABLE ENTRY

Dash No.	L Max	Cable Range			
		Min		Max	
02	.968 (24.6)	.125 (3.2)	.250 (6.4)	.375 (9.5)	.500 (12.7)
03	1.046 (26.6)	.250 (6.4)	.375 (9.5)	.625 (15.9)	.750 (19.1)
04	1.156 (29.4)	.375 (9.5)	.625 (15.9)	.875 (22.2)	1.000 (25.4)
05	1.218 (30.9)	.500 (12.7)	.750 (19.1)	1.125 (28.6)	1.250 (31.8)
06	1.343 (34.1)	.625 (15.9)	.875 (22.2)	1.000 (25.4)	1.125 (28.6)
07	1.468 (37.3)	.750 (19.1)	1.125 (28.6)	1.250 (31.8)	1.375 (35.0)
08	1.593 (40.5)	.875 (22.2)	1.250 (31.8)	1.375 (35.0)	1.500 (38.1)
09	1.718 (43.6)	1.000 (25.4)	1.375 (35.0)	1.500 (38.1)	1.625 (41.3)
10	1.843 (46.8)	1.125 (28.6)	1.500 (38.1)	1.625 (41.3)	1.750 (44.5)

1. When maximum cable entry (page 21) is exceeded, Style 2 will be supplied. Please consult factory.
2. Metric dimensions (mm) are indicated in parentheses.
3. Cable range is defined as the accommodations range for the wire bundle or cable. Dimensions shown are not intended for inspection criteria.
4. Consult factory for shorter lengths on straight backshells.