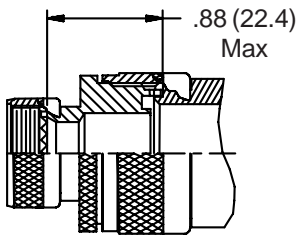
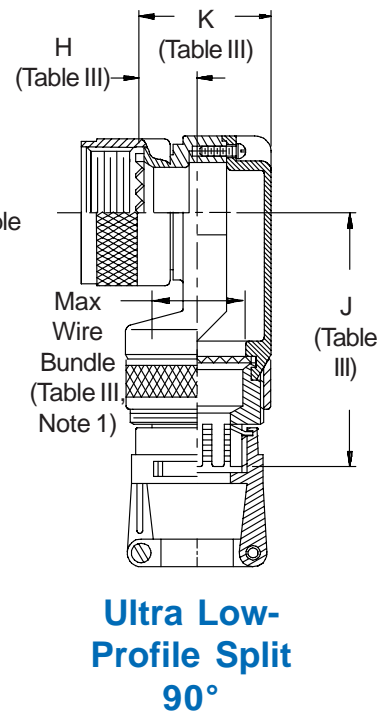
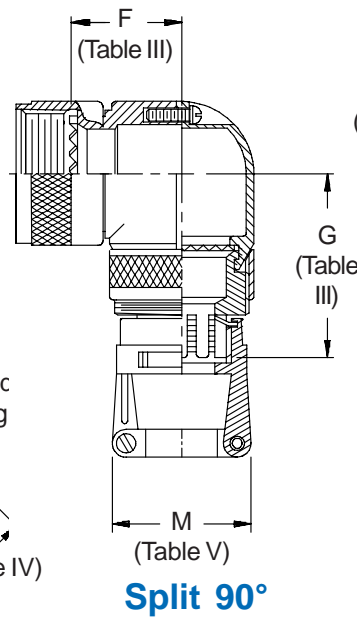
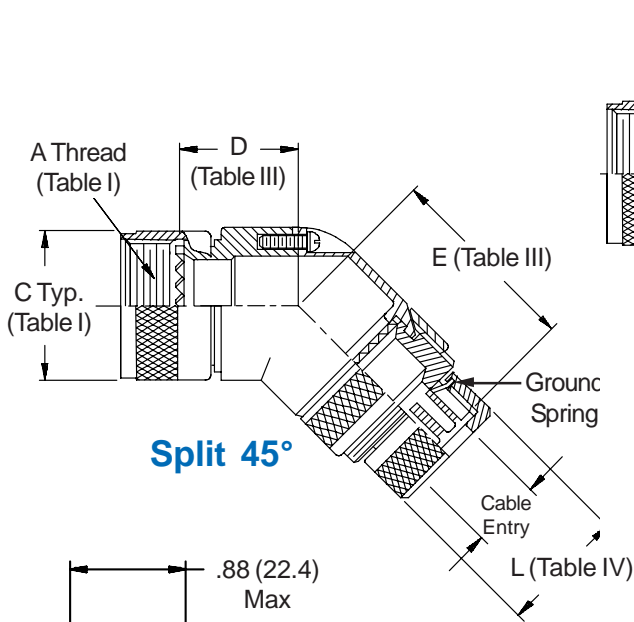
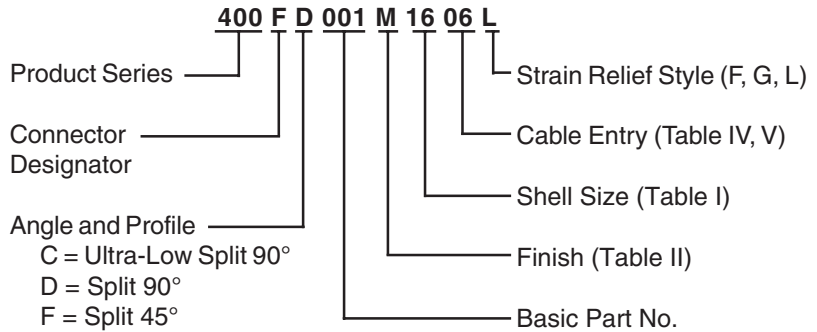


**CONNECTOR
 DESIGNATORS
 A-F-H-L-S
 ROTATABLE
 COUPLING**

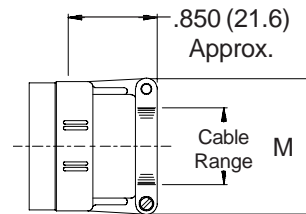
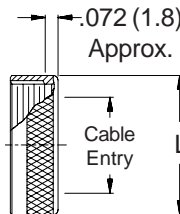
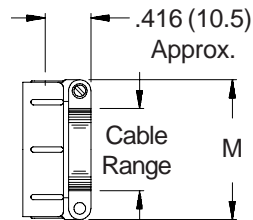


STYLE 2
 (See Note 1)

STYLE F
 Light Duty
 (Table V)

STYLE G
 Light Duty
 (Table IV)

STYLE L
 Light Duty
 (Table V)



400-001
TAG® Ring Backshell
with Strain Relief
Rotatable Coupling - Split Shell



See inside back cover fold-out or pages 13 and 14 for Tables I and II.

| TABLE III: DIMENSIONS | | | | | | | | |
|-----------------------|-------------|--------------|--------------|--------------|-------------|--------------|--------------|----------------------------|
| Shell Size | D Max | E Max | F Max | G Max | H Ref | J Max | K Max | Function C Max Wire Bundle |
| 08/09 | .440 (11.2) | 1.500 (38.1) | .680 (17.3) | 1.440 (36.6) | .340 (8.6) | 2.060 (52.3) | .681 (17.3) | .250 (6.4) |
| 10/11 | .500 (12.7) | 1.560 (39.6) | .750 (19.1) | 1.500 (38.1) | .270 (6.9) | 2.220 (56.4) | .731 (18.6) | .375 (9.5) |
| 12/13 | .560 (14.2) | 1.630 (41.4) | .810 (20.6) | 1.570 (39.9) | .270 (6.9) | 2.220 (56.4) | .731 (18.6) | .375 (9.5) |
| 14/15 | .620 (15.7) | 1.660 (42.2) | .870 (22.1) | 1.600 (40.6) | .280 (7.1) | 2.290 (58.2) | .831 (21.1) | .500 (12.7) |
| 16/17 | .680 (17.3) | 1.760 (44.7) | .930 (23.6) | 1.700 (43.2) | .420 (10.7) | 2.340 (59.4) | .981 (24.9) | .625 (15.9) |
| 18/19 | .750 (19.1) | 1.820 (46.2) | 1.000 (25.4) | 1.760 (44.7) | .640 (16.3) | 2.370 (60.2) | 1.181 (30.0) | .625 (15.9) |
| 20/21 | .820 (20.8) | 1.880 (47.8) | 1.060 (26.9) | 1.820 (46.2) | .640 (16.3) | 2.370 (60.2) | 1.181 (30.0) | .625 (15.9) |
| 22/23 | .880 (22.4) | 1.940 (49.3) | 1.120 (28.4) | 1.880 (47.8) | .540 (13.7) | 2.520 (64.0) | 1.181 (30.0) | .750 (19.1) |
| 24/25 | .940 (23.9) | 2.000 (50.8) | 1.180 (30.0) | 1.940 (49.3) | .540 (13.7) | 2.520 (64.0) | 1.181 (30.0) | .750 (19.1) |

| TABLE IV: CABLE ENTRY | | |
|-----------------------|--------------|-----------------|
| Dash No. | L Max | Cable Entry Max |
| 02 | .545 (13.8) | .250 (6.4) |
| 03 | .670 (17.0) | .375 (9.5) |
| 04 | .795 (20.2) | .500 (12.7) |
| 05 | .920 (23.4) | .625 (15.9) |
| 06 | 1.045 (26.5) | .750 (19.1) |
| 07 | 1.170 (29.7) | .875 (22.2) |
| 08 | 1.295 (32.9) | 1.000 (25.4) |
| 09 | 1.420 (36.1) | 1.125 (28.6) |
| 10 | 1.670 (42.4) | 1.250 (31.8) |

| TABLE V: CABLE ENTRY | | | | |
|----------------------|--------------|-------------|--------------|-------------|
| Dash No. | M Max | Cable Range | | |
| | | Min | Max | Max |
| 02 | .968 (24.6) | .125 (3.2) | .250 (6.4) | .625 (15.9) |
| 03 | 1.046 (26.6) | .250 (6.4) | .375 (9.5) | .625 (15.9) |
| 04 | 1.156 (29.4) | .250 (6.4) | .500 (12.7) | .625 (15.9) |
| 05 | 1.218 (30.9) | .375 (9.5) | .625 (15.9) | .625 (15.9) |
| 06 | 1.343 (34.1) | .500 (12.7) | .750 (19.1) | .625 (15.9) |
| 07 | 1.468 (37.3) | .625 (15.9) | .875 (22.2) | .625 (15.9) |
| 08 | 1.593 (40.5) | .625 (15.9) | 1.000 (25.4) | .625 (15.9) |
| 09 | 1.718 (43.6) | .750 (19.1) | 1.125 (28.6) | .625 (15.9) |
| 10 | 1.843 (46.8) | .875 (22.2) | 1.250 (31.8) | .625 (15.9) |

1. When maximum cable entry (page 21) is exceeded, Style 2 will be supplied (not available in Function C). Dimensions D, E, F and G will not apply. Please consult factory.
2. Metric dimensions (mm) are indicated in parentheses.
3. Cable range is defined as the accommodations range for the wire bundle or cable. Dimensions shown are not intended for inspection criteria.
4. Angular function "C", low-profile split elbow, not available with "S" connector designator.