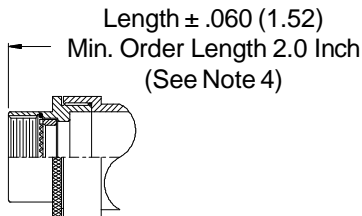
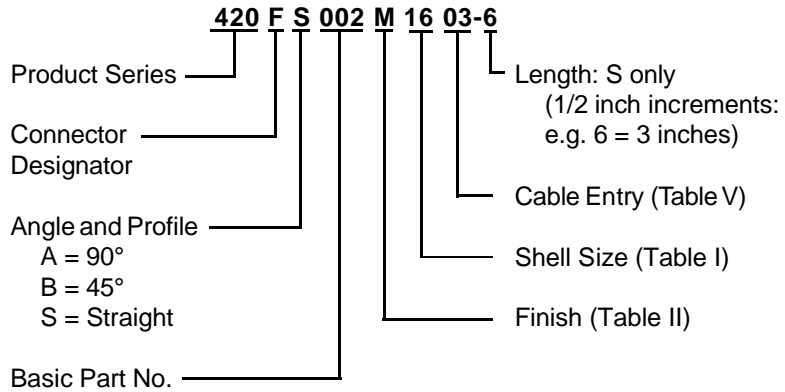
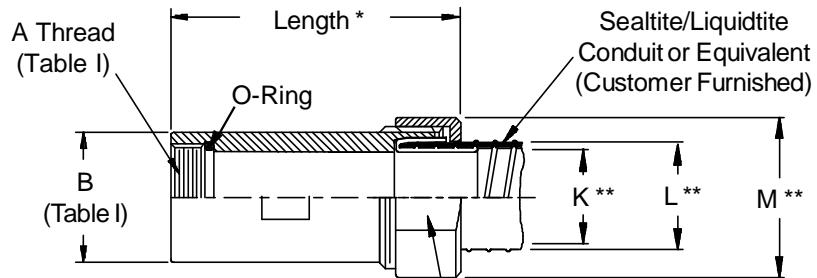


**CONNECTOR DESIGNATORS**  
**A-B\*-C-D-E-F**  
**G-H-J-K-L-S**  
 \* Conn. Desig. B See Note 6  
**DIRECT COUPLING**



**STYLE 2 (STRAIGHT)**



\* Length ± .060 (1.52)  
 Min. Order Length 1.5 Inch (See Note 4)  
 \*\* (Table V)

