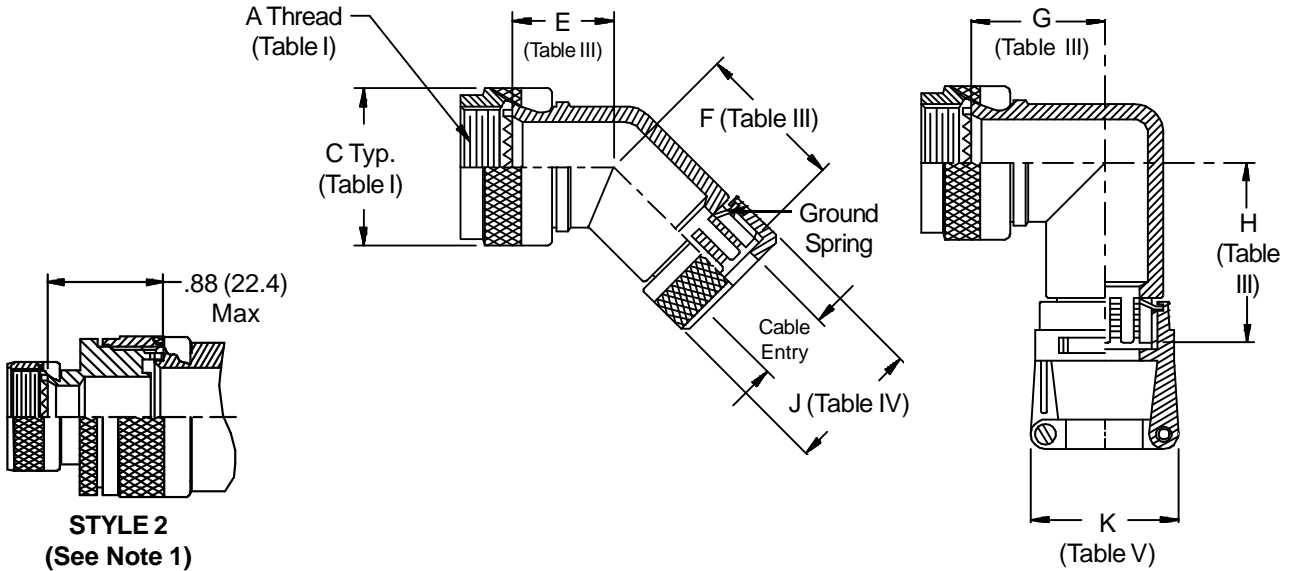
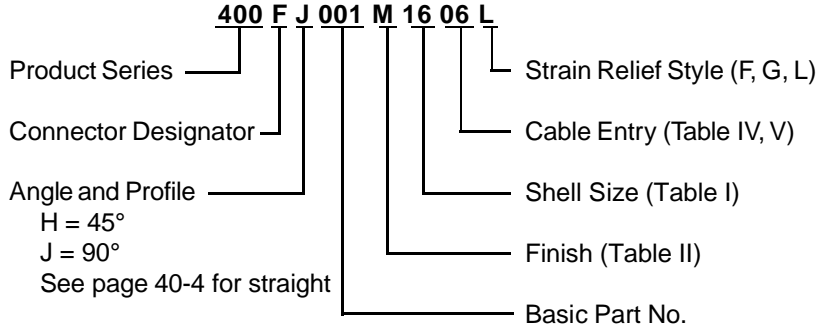
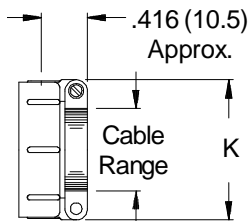


CONNECTOR DESIGNATORS
A-F-H-L-S
ROTATABLE COUPLING

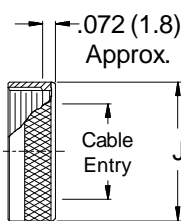


STYLE 2
 (See Note 1)

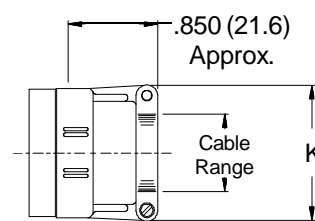
STYLE F
 Light Duty
 (Table V)



STYLE G
 Light Duty
 (Table IV)



STYLE L
 Light Duty
 (Table V)



400-001
TAG® Ring Backshell
with Strain Relief
Rotatable Coupling - Standard Profile



See inside back cover
fold-out or pages 13 and
14 for Tables I and II.

| TABLE III: ELBOW DIMENSIONS | | | | | | | | | |
|-----------------------------|----|------|--------|-------|--------|-------|--------|-------|--------|
| Shell Size | | E | | F | | G | | H | |
| Conn. Desig. | H | Max | | Max | | Max | | Max | |
| A-F-L-S | | | | | | | | | |
| 08 | 09 | .639 | (16.2) | 1.510 | (38.4) | .750 | (19.1) | 1.620 | (41.1) |
| 10 | 11 | .664 | (16.9) | 1.540 | (39.1) | .810 | (20.6) | 1.680 | (42.7) |
| 12 | 13 | .688 | (17.5) | 1.560 | (39.6) | .870 | (22.1) | 1.740 | (44.2) |
| 14 | 15 | .705 | (17.9) | 1.590 | (40.4) | .920 | (23.4) | 1.810 | (46.0) |
| 16 | 17 | .732 | (18.6) | 1.610 | (40.9) | .980 | (24.9) | 1.870 | (47.5) |
| 18 | 19 | .748 | (19.0) | 1.620 | (41.1) | 1.020 | (25.9) | 1.890 | (48.0) |
| 20 | 21 | .773 | (19.6) | 1.640 | (41.7) | 1.080 | (27.4) | 1.950 | (49.5) |
| 22 | 23 | .800 | (20.3) | 1.680 | (42.7) | 1.140 | (29.0) | 2.030 | (51.6) |
| 24 | 25 | .823 | (20.9) | 1.710 | (43.4) | 1.200 | (30.5) | 2.100 | (53.3) |

| TABLE IV: CABLE ENTRY | | | |
|-----------------------|--------------|-----------------|--------|
| Dash No. | J Max | Cable Entry Max | |
| 02 | .545 (13.8) | .250 | (6.4) |
| 03 | .670 (17.0) | .375 | (9.5) |
| 04 | .795 (20.2) | .500 | (12.7) |
| 05 | .920 (23.4) | .625 | (15.9) |
| 06 | 1.045 (26.5) | .750 | (19.1) |
| 07 | 1.170 (29.7) | .875 | (22.2) |
| 08 | 1.295 (32.9) | 1.000 | (25.4) |
| 09 | 1.420 (36.1) | 1.125 | (28.6) |
| 10 | 1.670 (42.4) | 1.250 | (31.8) |

| TABLE V: CABLE ENTRY | | | | |
|----------------------|--------------|-------------|-------|--------|
| Dash No. | K Max | Cable Range | | |
| | | Min | Max | |
| 02 | .968 (24.6) | .125 (3.2) | .250 | (6.4) |
| 03 | 1.046 (26.6) | .250 (6.4) | .375 | (9.5) |
| 04 | 1.156 (29.4) | .250 (6.4) | .500 | (12.7) |
| 05 | 1.218 (30.9) | .375 (9.5) | .625 | (15.9) |
| 06 | 1.343 (34.1) | .500 (12.7) | .750 | (19.1) |
| 07 | 1.468 (37.3) | .625 (15.9) | .875 | (22.2) |
| 08 | 1.593 (40.5) | .625 (15.9) | 1.000 | (25.4) |
| 09 | 1.718 (43.6) | .750 (19.1) | 1.125 | (28.6) |
| 10 | 1.843 (46.8) | .875 (22.2) | 1.250 | (31.8) |

- When maximum cable entry (page 21) is exceeded, Style 2 will be supplied. Dimensions E, F, G and H will not apply. Please consult factory.
- Metric dimensions (mm) are indicated in parentheses.
- Cable range is defined as the accommodations range for the wire bundle or cable. Dimensions shown are not intended for inspection criteria.
- 445 modification not available for MIL-DTL-38999 Series II.

-445

Add "-445" to Specify Glenair's Non-Detent, ("NESTOR") Spring-Loaded, Self-Locking Coupling. See Page 41 for Details.