

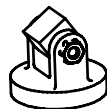
REVISION HISTORY			
REV	AUTH	DATE	DESCRIPTION
A	-	1/18/2008	INITIAL RELEASE



**X-SMALL MOUNT**

APPLICATIONS:

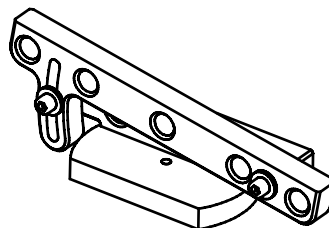
- 75-440-X
- 62-440-X
- 51-440-X
- 42-440-X
- 34-440-X
- 28-440-X
- 28-441-X



**SMALL MOUNT**

APPLICATIONS:

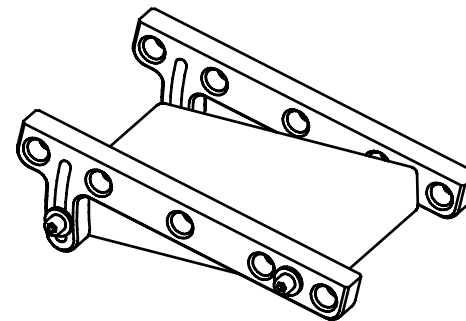
- 650-440-X
- 430-440-X
- 340-440-X
- 340-441-X
- 284-440-X
- 284-441-X
- 229-440-X
- 229-441-X
- 187-440-X
- 187-441-X
- 187-442-X
- 159-440-X
- 159-441-X
- 159-442-X
- 137-440-X
- 137-441-X
- 137-442-X
- 112-440-X
- 112-441-X
- 102-440-X
- 102-441-X
- 102-449-X/17
- 102-442-X
- 90-440-X
- 90-441-X
- 90-442-X
- 75-441-X
- 75-442-X
- 62-441-X
- 62-449-X/17.5
- 62-442-X
- 62-449-X/24
- 51-441-X
- 51-442-X
- 42-441-X
- 42-442-X
- 42-449-X/24
- 34-441-X
- 34-442-X
- 28-442-X
- 28-449-X/24



**MEDIUM MOUNT**

APPLICATIONS:

- 430-441-X
- 229-442-X
- 112-449-X/24
- 90-449-X/24



**LARGE MOUNT**

APPLICATIONS:

- 650-441-X
- 430-442-X
- 340-442-X
- 284-442-X

THIRD ANGLE PROJECTION:		APPROVALS	DATE	ADVANCED TECHNICAL MATERIALS, INC. TEL: (631) 289-0363 FAX: (631) 289-0358 www.atmmicrowave.com		THE INFORMATION IN THIS DRAWING IS PROPRIETARY AND SHALL NOT BE USED OR DISCLOSED WITHOUT THE PRIOR WRITTEN CONSENT OF ATM, INC. DO NOT SCALE DWG.			
UNLESS OTHERWISE NOTED, DIMENSIONS ARE IN INCHES, TOLERANCES ARE: FRACTIONS: ±1/64 ANGLES: ±1/2°		DRAWN M.R.		<b>HORN MOUNT APPLICATIONS</b>		SIZE A	CAGE CODE 0R8N4	ATM DWG # 7994	REVISION A
BASIC DIMENSION	DECIMALS 2 PLACE 3 PLACE	CHKD.				MODEL # XXX-44X-X	SHEET 1		
UNDER 6"	±.02 ±.005	APRVD.							
6" - 12"	±.03 ±.010	MATERIAL -							
OVER 12"	±.06 ±.015	TREATMENT -							
		FINISH -							