

**40 PIN SMD ETHERNET 10/100 BASE TX QUAD PORT TRANSFORMER**

**P/N: 40ST1129 DATA SHEET**

**Feature**

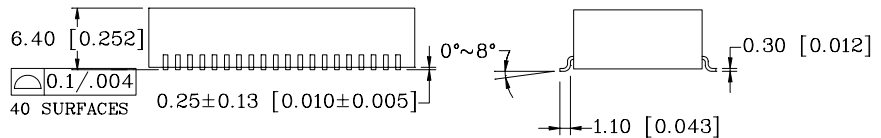
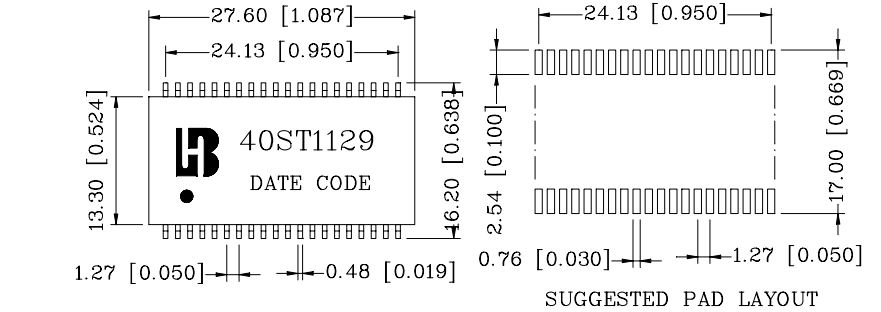
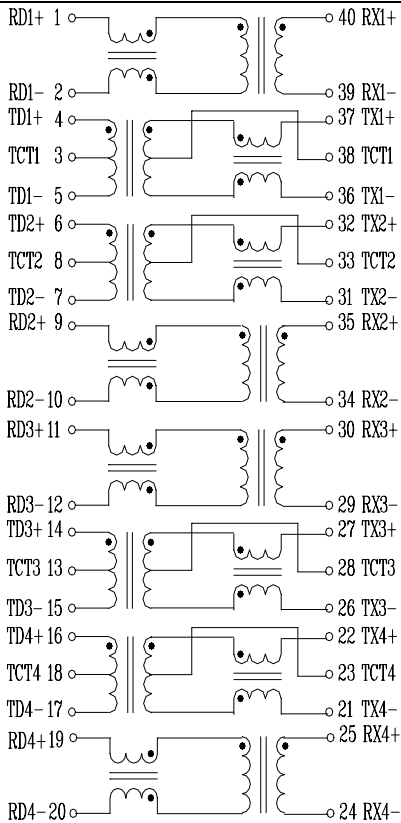


- 40-PIN SMD Package compatible with BROADCOM, NS, TMI, DAVICOM chips.
- Designed for multiport repeater and switched Ethernet applications Utilizing single RJ-45 connectors
- Operating temperature range: 0°C to +70°C.
- Storage temperature range: -25°C to +125°C.

Electrical Specifications @ 25°C								
Part Number	Turns Ratio (±5%)		OCL (uH Min) @100KHz/0.1V 8mA DC Bias		L.L (uH Max) TX&RX	Cw/w (pF Max)	HI-POT ( Vrms)	
	TX	RX						
40ST1129	1CT:1CT	1:1	350		0.5	28	1500	
Continue								
Part Number	Insertion Loss (dB Max)	Return Loss (dB Min)			Cross Talk (dB Min)	DCMR (dB Min)		Insulation Resistance ( MΩ)
	0.3-100 MHz	0.3-30MHz	30-60MHz	60-80MHz	0.3-100MHz	1-60 MHz	60-100 MHz	
40ST1129	-1.15	-16	-12	-10	-38	-37	-25	10,000

**Schematic**

**Mechanical**



Units: mm[Inches] Tolerance: xx.x0±0.25[0.010]  
0.xx±0.05[0.002]