



June 1990

54FCT/74FCT374A Octal D Flip-Flop with TRI-STATE® Outputs

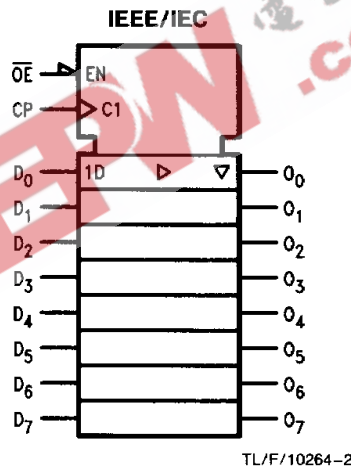
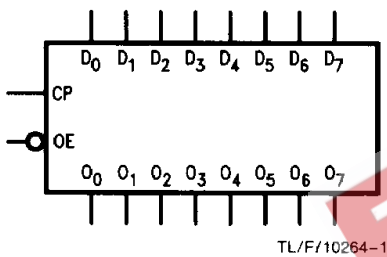
General Description

The 'FCT374A is a high-speed, low-power octal D-type flip-flop featuring separate D-type inputs for each flip-flop and TRI-STATE outputs for bus-oriented applications. A buffered Clock (CP) and Output Enable (\overline{OE}) are common to all flip-flops.

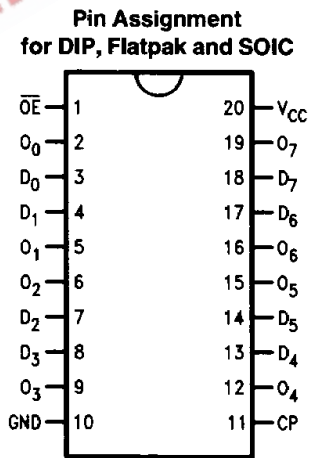
Features

- NSC 54/74FCT374A is pin and functionally equivalent to IDT 54/74FCT374A
- Buffered positive edge triggered clock
- TRI-STATE outputs for bus-oriented applications
- TTL input and output level compatible
- TTL inputs accept CMOS levels
- High current latch up immunity
- $I_{OL} = 48$ mA (commercial) and 32 mA (military)
- Electrostatic discharge protection ≥ 2 kV
- Inherently radiation tolerant

Logic Symbols

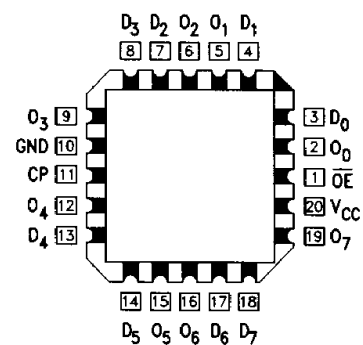


Connection Diagrams



Pin Names	Description
D ₀ -D ₇	Data Inputs
CP	Clock Pulse Input
\overline{OE}	TRI-STATE Output Enable Input
O ₀ -O ₇	TRI-STATE Outputs

Pin Assignment for LCC




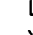
TRI-STATE® is a registered trademark of National Semiconductor Corporation.
FACTM™ is a trademark of National Semiconductor Corporation.


54FCT/74FCT374A Octal D Flip-Flop with TRI-STATE Outputs

Functional Description

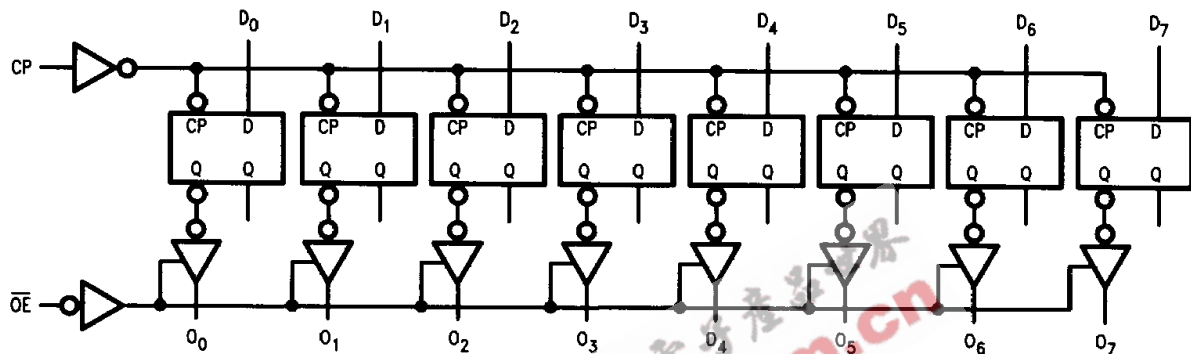
The 'FCT374A consists of eight edge-triggered flip-flops with individual D-type inputs and TRI-STATE outputs. The buffered clock and buffered Output Enable are common to all flip-flops. The eight flip-flops will store the state of their individual D inputs that meet the setup and hold time requirements on the LOW-to-HIGH Clock (CP) transition. With the Output Enable (\overline{OE}) LOW, the contents of the eight flip-flops are available at the outputs. When the \overline{OE} is HIGH, the outputs go to the high impedance state. Operation of the \overline{OE} input does not affect the state of the flip-flops.

Truth Table

Inputs			Outputs
D_n	CP	\overline{OE}	O_n
H		L	H
L		L	L
X	X	H	Z

H = HIGH Voltage Level
 L = LOW Voltage Level
 X = Immaterial
 Z = High Impedance
 = LOW-to-HIGH Transition

Logic Diagram



TL/F/10264-5

Please note that this diagram is provided only for the understanding of logic operations and should not be used to estimate propagation delays.

Absolute Maximum Ratings (Note 1)

If Military/Aerospace specified devices are required, please contact the National Semiconductor Sales Office/Distributors for availability and specifications.

Terminal Voltage with Respect to GND (V_{TERM})	
54FCTA	-0.5V to 7.0V
74FCTA	-0.5V to 7.0V
Temperature under Bias (T_{BIAS})	
74FCTA	-55°C to +125°C
54FCTA	-65°C to +135°C
Storage Temperature (T_{STG})	
74FCTA	-55°C to +125°C
54FCTA	-65°C to +150°C
Power Dissipation (P_T)	0.5W
DC Output Current (I_{OUT})	120 mA

Note 1: Absolute maximum ratings are those values beyond which damage to the device may occur. The databook specifications should be met, without exception, to ensure that the system design is reliable over its power supply, temperature, and output/input loading variables. National does not recommend operation of FACT FCT circuits outside databook specifications.

Recommended Operating Conditions

Supply Voltage (V_{CC})	
54FCTA	4.5V to 5.5V
74FCTA	4.75V to 5.25V
Input Voltage	0V to V_{CC}
Output Voltage	0V to V_{CC}
Operating Temperature (T_A)	
54FCTA	-55°C to +125°C
74FCTA	0°C to +70°C
Junction Temperature (T_J)	
CDIP	175°C
PDIP	140°C

DC Characteristics for 'FCTA Family Devices

Typical values are at $V_{CC} = 5.0V$, 25°C ambient and maximum loading. For test conditions shown as Max, use the value specified for the appropriate device type: Com: $V_{CC} = 5.0V \pm 5\%$, $T_A = 0^\circ C$ to $+70^\circ C$; Mil: $V_{CC} = 5.0V \pm 10\%$, $T_A = -55^\circ C$ to $+125^\circ C$, $V_{HC} = V_{CC} - 0.2V$.

Symbol	Parameter	54FCTA/74FCTA			Units	Conditions	
		Min	Typ	Max			
V_{IH}	Minimum High Level Input Voltage	2.0			V		
V_{IL}	Maximum Low Level Input Voltage			0.8	V		
I_{IH}	Input High Current			5.0 5.0	μA	$V_{CC} = \text{Max}$	$V_I = V_{CC}$ $V_I = 2.7V$ (Note 2)
I_{IL}	Input Low Current			-5.0 -5.0	μA	$V_{CC} = \text{Max}$	$V_I = 0.5V$ (Note 2) $V_I = \text{GND}$
I_{OZ}	Maximum TRI-STATE Current			10.0 10.0 -10.0 -10.0	μA	$V_{CC} = \text{Max}$	$V_O = V_{CC}$ $V_O = 2.7V$ (Note 2) $V_O = 0.5V$ (Note 2) $V_O = \text{GND}$
V_{IK}	Clamp Diode Voltage		-0.7	-1.2	V	$V_{CC} = \text{Min}; I_N = -18 \text{ mA}$	
I_{OS}	Short Circuit Current	-60	-120		mA	$V_{CC} = \text{Max}$ (Note 1); $V_O = \text{GND}$	
V_{OH}	Minimum High Level Output Voltage	2.8 V_{HC} 2.4 2.4	3.0 V_{CC} 4.3 4.3		V	$V_{CC} = 3V; V_{IN} = 0.2V$ or $V_{HC}; I_{OH} = -32 \mu A$ $V_{CC} = \text{Min}$ $V_{IN} = V_{IH}$ or V_{IL}	$I_{OH} = -300 \mu A$ $I_{OH} = -12 \text{ mA}$ (Mil) $I_{OH} = -15 \text{ mA}$ (Com)
V_{OL}	Maximum Low Level Output Voltage		GND GND 0.3 0.3	0.2 0.2 0.50 0.50	V	$V_{CC} = 3V; V_{IN} = 0.2V$ or $V_{HC}; I_{OL} = 300 \mu A$ $V_{CC} = \text{Min}$ $V_{IN} = V_{IH}$ or V_{IL}	$I_{OL} = 300 \mu A$ $I_{OL} = 32 \text{ mA}$ (Mil) $I_{OL} = 48 \text{ mA}$ (Com)
I_{CC}	Maximum Quiescent Supply Current		0.001	1.5	mA	$V_{CC} = \text{Max}$ $V_{IN} \geq V_{HC}, V_{IN} \leq 0.2V$ $f_I = 0$	
ΔI_{CC}	Quiescent Supply Current; TTL Inputs HIGH		0.5	2.0	mA	$V_{CC} = \text{Max}$ $V_{IN} = 3.4V$ (Note 3)	

DC Characteristics for 'FCTA Family Devices (Continued)

Typical values are at $V_{CC} = 5.0V$, 25°C ambient and maximum loading. For test conditions shown as Max, use the value specified for the appropriate device type: Com: $V_{CC} = 5.0V \pm 5\%$, $T_A = 0^\circ C$ to $+70^\circ C$; Mil: $V_{CC} = 5.0V \pm 10\%$, $T_A = -55^\circ C$ to $+125^\circ C$, $V_{HC} = V_{CC} - 0.2V$.

Symbol	Parameter	54FCTA/74FCTA			Units	Conditions		
		Min	Typ	Max				
I_{CCD}	Dynamic Power Supply Current (Note 4)		0.15	0.25	mA/MHz	$V_{CC} = \text{Max}$ Outputs Open $\overline{OE} = \text{GND}$ One Input Toggling 50% Duty Cycle	$V_{IN} \geq V_{HC}$ $V_{IN} \leq 0.2V$	
I_C	Total Power Supply Current (Note 6)		1.5	4.0				mA
			2.0	6.0	$V_{IN} = 3.4V$ $V_{IN} = \text{GND}$			
				3.75	7.8	(Note 5) $V_{CC} = \text{Max}$ Outputs Open $f_{CP} = 10 \text{ MHz}$ $\overline{OE} = \text{GND}$ $f_i = 2.5 \text{ MHz}$ Eight Bits Toggling 50% Duty Cycle	$V_{IN} \geq V_{HC}$ $V_{IN} \leq 0.2V$	
				6.0	16.8	$V_{IN} = 3.4V$ $V_{IN} = \text{GND}$		
V_H	Input Hysteresis on Clock Only		200		mV			

Note 1: Maximum test duration not to exceed one second, not more than one output shorted at one time.

Note 2: This parameter guaranteed but not tested.

Note 3: Per TTL driven input ($V_{IN} = 3.4V$); all other inputs at V_{CC} or GND.

Note 4: This parameter is not directly testable, but is derived for use in Total Power Supply calculations.

Note 5: Values for these conditions are examples of the I_{CC} formula. These limits are guaranteed but not tested.

Note 6: $I_C = I_{QUIESCENT} + I_{INPUTS} + I_{DYNAMIC}$

$$I_C = I_{CC} + \Delta I_{CC} D_H N_T + I_{CCD} (f_{CP}/2 + f_i N_i)$$

I_{CC} = Quiescent Current

ΔI_{CC} = Power Supply Current for a TTL High Input ($V_{IN} = 3.4V$)

D_H = Duty Cycle for TTL Inputs High

N_T = Number of Inputs at D_H

I_{CCD} = Dynamic Current Caused by an Input Transition Pair (HLH or LHL)

f_{CP} = Clock Frequency for Register Devices (Zero for Non-Register Devices)

f_i = Input Frequency

N_i = Number of Inputs at f_i

All currents are in milliamps and all frequencies are in megahertz.

AC Electrical Characteristics

Symbol	Parameter	54FCTA/74FCTA	74FCTA		54FCTA		Units
		$T_A = +25^\circ\text{C}$ $V_{CC} = 5.0\text{V}$	$T_A, V_{CC} = \text{Com}$ $R_L = 500\Omega$ $C_L = 50\text{pF}$		$T_A, V_{CC} = \text{Mil}$ $R_L = 500\Omega$ $C_L = 50\text{pF}$		
		Typ	Min (Note 1)	Max	Min (Note 1)	Max	
t_{PLH} t_{PHL}	Propagation Delay C_p to O_n	4.5	2.0	6.5			ns
t_{PZH} t_{PZL}	Output Enable Time	5.5	1.5	6.5			ns
t_{PHZ} t_{PLZ}	Output Disable Time	4.0	1.5	5.5			ns
t_{SU}	Set Up Time High or Low D_n to C_p	1.0	2.0				ns
t_H	Hold Time High or Low D_n to C_p	0.5	1.5				ns
t_w	C_p Pulse Width High or Low	4.0	5.0				ns

Note 1: Minimum limits are guaranteed but not tested on propagation delays.

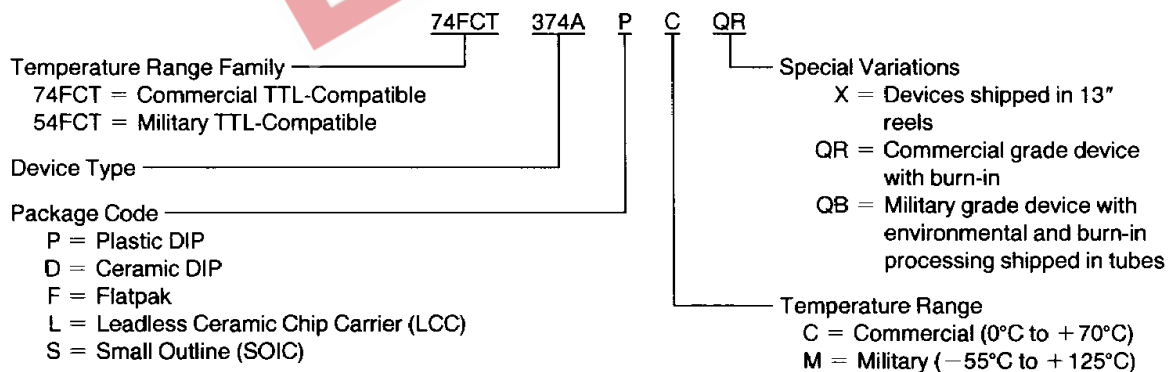
Capacitance $T_A = +25^\circ\text{C}, f = 1.0\text{MHz}$

Symbol	Parameter (Note)	Typ	Max	Unit	Condition
C_{IN}	Input Capacitance	6	10	pF	$V_{IN} = 0\text{V}$
C_{OUT}	Output Capacitance	8	12	pF	$V_{OUT} = 0\text{V}$

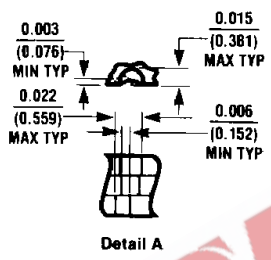
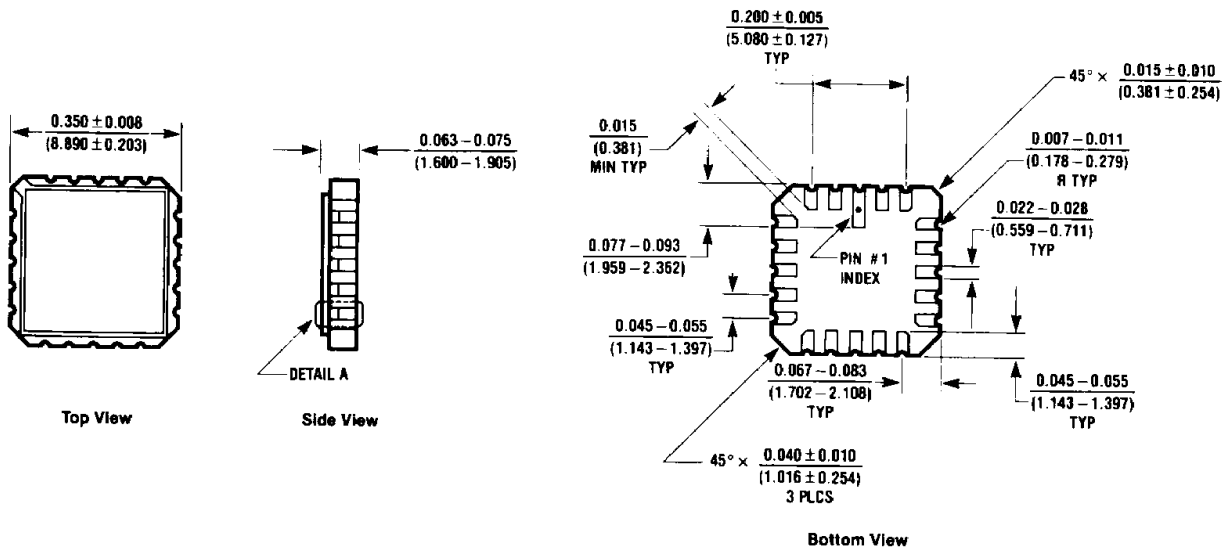
Note: This parameter is measured at characterization but not tested.

Ordering Information

The device number is used to form part of a simplified purchasing code where the package type and temperature range are defined as follows:

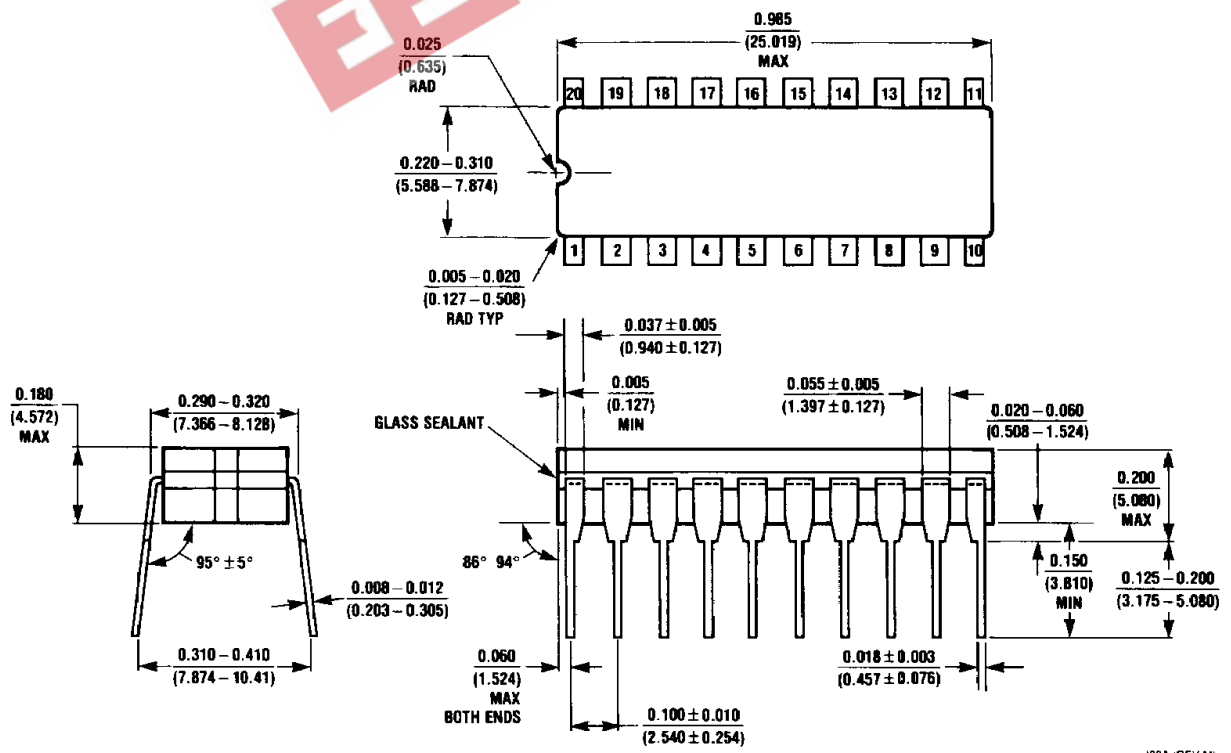


Physical Dimensions inches (millimeters)



20-Terminal Ceramic Leadless Chip Carrier (L)
NS Package Number E20A

E20A (REV D)

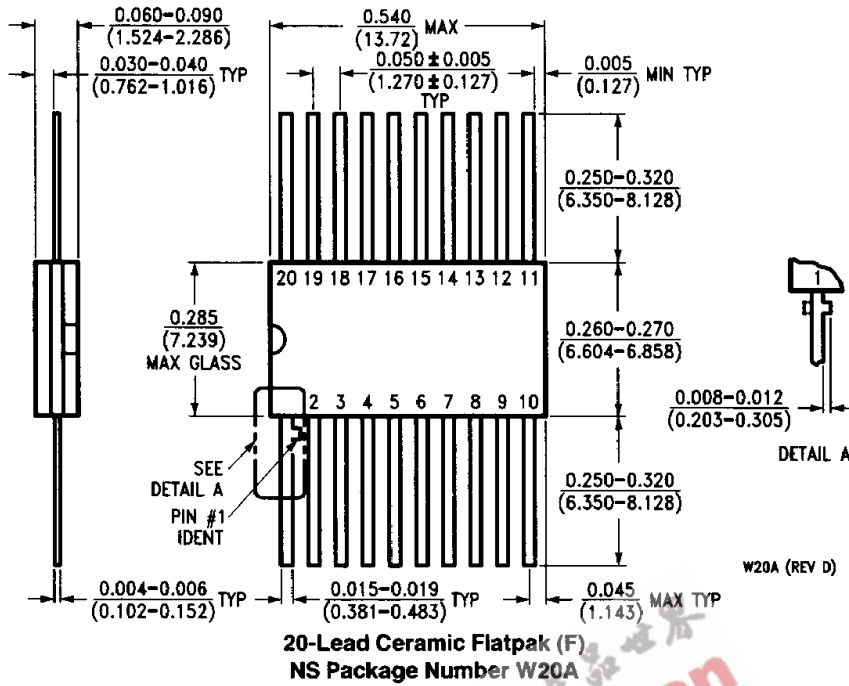


20-Lead Ceramic Dual-In-Line Package (D)
NS Package Number J20A

J20A (REV M)

Physical Dimensions inches (millimeters) (Continued)

Lit. # 114703



EEPW.com.cn

LIFE SUPPORT POLICY

NATIONAL'S PRODUCTS ARE NOT AUTHORIZED FOR USE AS CRITICAL COMPONENTS IN LIFE SUPPORT DEVICES OR SYSTEMS WITHOUT THE EXPRESS WRITTEN APPROVAL OF THE PRESIDENT OF NATIONAL SEMICONDUCTOR CORPORATION. As used herein:

1. Life support devices or systems are devices or systems which, (a) are intended for surgical implant into the body, or (b) support or sustain life, and whose failure to perform, when properly used in accordance with instructions for use provided in the labeling, can be reasonably expected to result in a significant injury to the user.
2. A critical component is any component of a life support device or system whose failure to perform can be reasonably expected to cause the failure of the life support device or system, or to affect its safety or effectiveness.

012071 ✓



National Semiconductor Corporation
 2900 Semiconductor Drive
 P.O. Box 58090
 Santa Clara, CA 95052-8090
 Tel: 1(800) 272-9959
 TWX: (910) 339-9240

National Semiconductor GmbH
 Industriestrasse 10
 D-8080 Furstenfeldbruck
 West Germany
 Tel: (0-81-41) 103-0
 Telex: 527-649
 Fax: (08141) 103554

National Semiconductor Japan Ltd.
 Sanso Bldg. 5F
 4-15 Nishi Shinjuku
 Shinjuku-Ku,
 Tokyo 160, Japan
 Tel: 3-299-7001
 FAX: 3-299-7000

National Semiconductor Hong Kong Ltd.
 Suite 513, 5th Floor
 Chinachem Golden Plaza,
 77 Mody Road, Tsimshatsui East,
 Kowloon, Hong Kong
 Tel: 3-7231290
 Telex: 52996 NSSEA HK
 Fax: 3-3112536

National Semicondutores Do Brasil Ltda.
 Av. Brig. Faria Lima, 1363
 6.0 Andor-Conj. 62
 01451 Sao Paulo, SP, Brasil
 Tel: (55/11) 212-5066
 Fax: (55/11) 211-1181 NSBR BR

National Semiconductor (Australia) PTY, Ltd.
 1st Floor, 441 St. Kilda Rd.
 Melbourne, 3004
 Victoria, Australia
 Tel: (03) 267-5000
 Fax: 61-3-2677458