

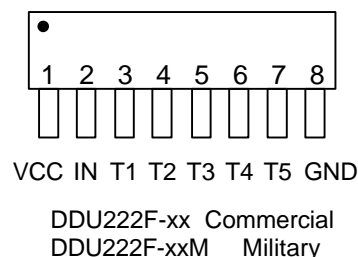
5-TAP, HCMOS-INTERFACED FIXED DELAY LINE (SERIES DDU222C)



FEATURES

- Five equally spaced outputs
- Very narrow device (SIP package)
- Stackable for PC board economy
- Input & outputs fully CMOS interfaced & buffered
- 10 T²L fan-out capability

PACKAGES



FUNCTIONAL DESCRIPTION

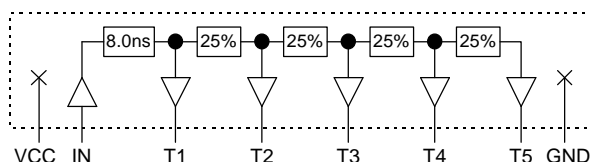
The DDU222C-series device is a 5-tap digitally buffered delay line. The signal input (IN) is reproduced at the outputs (T1-T5), shifted in time by an amount given by the device dash number. For dash numbers less than 40, the total delay of the line is measured from T1 to T5, with the nominal value given by the dash number. The nominal tap-to-tap delay increment is given by 1/4 of this number. The inherent delay from IN to T1 is nominally 8.0ns. For dash numbers greater than or equal to 40, the total delay of the line is measured from IN to T5, with the nominal value given by the dash number. The nominal tap-to-tap delay increment is given by 1/5 of this number.

PIN DESCRIPTIONS

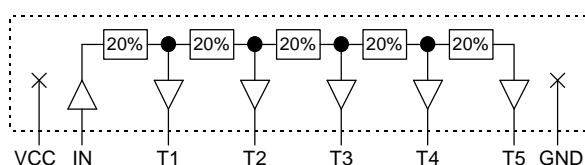
| | |
|-------|--------------|
| IN | Signal Input |
| T1-T5 | Tap Outputs |
| VDD | +5 Volts |
| GND | Ground |

SERIES SPECIFICATIONS

- **Minimum input pulse width:** 40% of total delay
- **Output rise time:** 8ns typical
- **Supply voltage:** 5VDC \pm 5%
- **Supply current:** I_{CCL} = 40 μ a typical
I_{CCH} = 10ma typical
- **Operating temperature:** 0° to 70° C
- **Temp. coefficient of total delay:** 300 PPM/°C



Functional diagram for dash numbers < 40



Functional diagram for dash numbers \geq 40

DASH NUMBER SPECIFICATIONS

| Part Number | Total Delay (ns) | Delay Per Tap (ns) |
|-------------|------------------|--------------------|
| DDU222C-10 | 10 \pm 2.0 * | 2.5 \pm 1.0 |
| DDU222C-20 | 20 \pm 2.0 * | 5.0 \pm 2.0 |
| DDU222C-50 | 50 \pm 3.0 | 10.0 \pm 3.0 |
| DDU222C-60 | 60 \pm 3.0 | 12.0 \pm 3.0 |
| DDU222C-75 | 75 \pm 4.0 | 15.0 \pm 3.0 |
| DDU222C-100 | 100 \pm 5.0 | 20.0 \pm 3.0 |
| DDU222C-125 | 125 \pm 6.5 | 25.0 \pm 3.0 |
| DDU222C-150 | 150 \pm 7.5 | 30.0 \pm 3.0 |
| DDU222C-175 | 175 \pm 8.0 | 35.0 \pm 4.0 |
| DDU222C-200 | 200 \pm 10.0 | 40.0 \pm 4.0 |
| DDU222C-250 | 250 \pm 12.5 | 50.0 \pm 5.0 |

* Total delay is referenced to first tap output
Input to first tap = 8.0ns \pm 2ns

NOTE: Any dash number between 10 and 250 not shown is also available.

APPLICATION NOTES

HIGH FREQUENCY RESPONSE

The DDU222C tolerances are guaranteed for input pulse widths and periods greater than those specified in the test conditions. Although the device will function properly for pulse widths as small as 40% of the total delay and periods as small as 80% of the total delay (for a symmetric input), the delays may deviate from their values at low frequency. However, for a given input condition, the deviation will be repeatable from pulse to pulse. Contact technical support at Data

Delay Devices if your application requires device testing at a specific input condition.

POWER SUPPLY BYPASSING

The DDU222C relies on a stable power supply to produce repeatable delays within the stated tolerances. A 0.1uf capacitor from VDD to GND, located as close as possible to the VDD pin, is recommended. A wide VDD trace and a clean ground plane should be used.

DEVICE SPECIFICATIONS

TABLE 1: ABSOLUTE MAXIMUM RATINGS

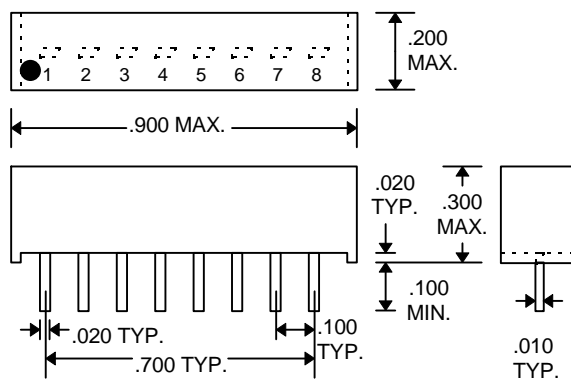
| PARAMETER | SYMBOL | MIN | MAX | UNITS | NOTES |
|---------------------|-------------------|------|----------------------|-------|--------|
| DC Supply Voltage | V _{DD} | -0.3 | 7.0 | V | |
| Input Pin Voltage | V _{IN} | -0.3 | V _{DD} +0.3 | V | |
| Storage Temperature | T _{STRG} | -55 | 150 | C | |
| Lead Temperature | T _{LEAD} | | 300 | C | 10 sec |

TABLE 2: DC ELECTRICAL CHARACTERISTICS

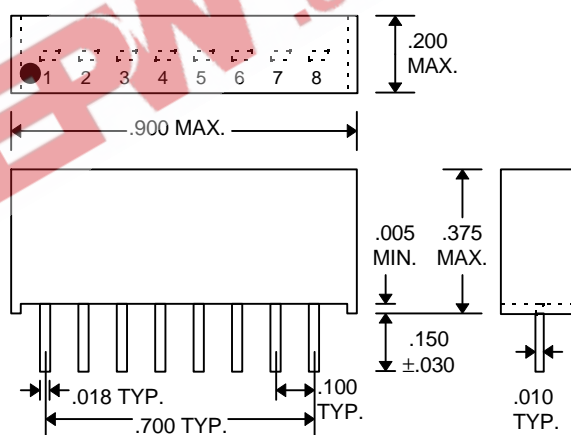
(0C to 70C, 4.75V to 5.25V)

| PARAMETER | SYMBOL | MIN | TYP | MAX | UNITS | NOTES |
|---------------------------|-----------------|------|------|------|-------|--|
| High Level Output Voltage | V _{OH} | 3.98 | 4.4 | | V | V _{DD} = 5.0, I _{OH} = MAX V _{IH} = MIN, V _{IL} = MAX |
| Low Level Output Voltage | V _{OL} | | 0.15 | 0.26 | V | V _{DD} = 5.0, I _{OL} = MAX V _{IH} = MIN, V _{IL} = MAX |
| High Level Output Current | I _{OH} | | | -4.0 | mA | |
| Low Level Output Current | I _{OL} | | | 4.0 | mA | |
| High Level Input Voltage | V _{IH} | 3.15 | | | V | |
| Low Level Input Voltage | V _{IL} | | | 1.35 | V | |
| Input Current | I _{IH} | | | 0.10 | μA | V _{DD} = 5.0 |

PACKAGE DIMENSIONS



DDU222C-xx (Commercial)



DDU222C-xxM (Military)

DELAY LINE AUTOMATED TESTING

TEST CONDITIONS

INPUT:

Ambient Temperature: $25^{\circ}\text{C} \pm 3^{\circ}\text{C}$
Supply Voltage (VDD): $5.0\text{V} \pm 0.1\text{V}$
Input Pulse: High = $5.0\text{V} \pm 0.1\text{V}$
 Low = $0.0\text{V} \pm 0.1\text{V}$

Source Impedance: 50Ω Max.

Rise/Fall Time: 5.0 ns Max. (measured between 0.5V and 4.5V)

Pulse Width: $PW_{IN} = 1.5 \times \text{Total Delay}$

Period: $PER_{IN} = 10 \times \text{Total Delay}$

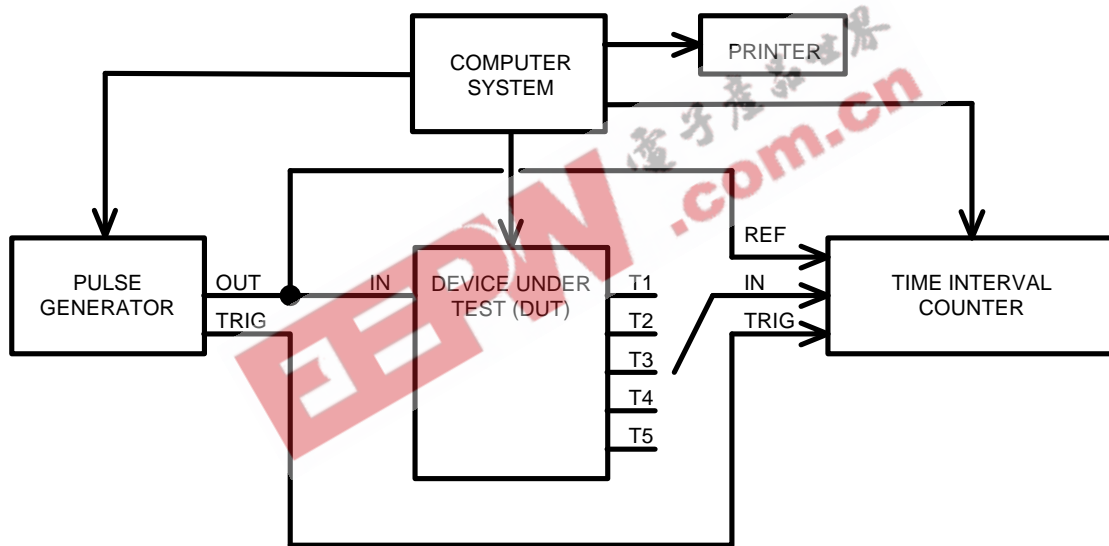
OUTPUT:

Load: 1 FAST-TTL Gate

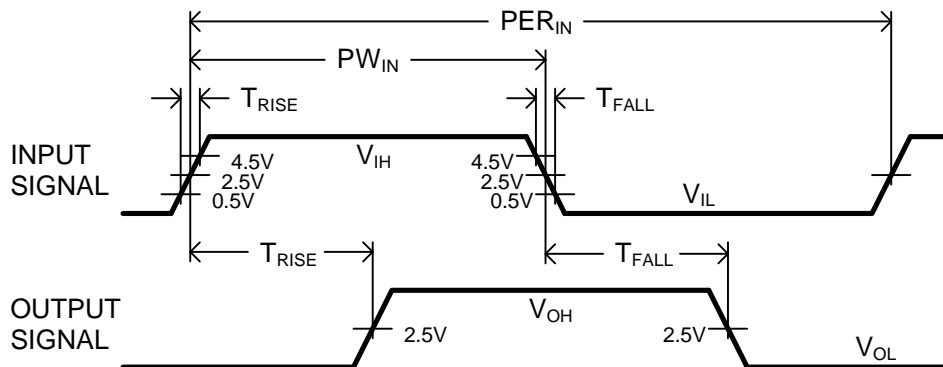
C_{load}: $5\text{pf} \pm 10\%$

Threshold: 2.5V (Rising & Falling)

NOTE: The above conditions are for test only and do not in any way restrict the operation of the device.



Test Setup



Timing Diagram For Testing