

ILC7071

100mA SOT-23-5 Ultra Low Noise
CMOS RF-LDO™ Regulator



General Description

The ILC7071 is a 100mA, Ultra Low Noise, Low Dropout (LDO) linear regulator, designed and processed in Impala's proprietary CMOS process technology. This process combines the best CMOS features of low quiescent current, small size and low dropout voltage with the best bipolar features of high ripple rejection, ultra low noise and power handling capability. The ILC7071 offers a quiescent current of less than 100 μ A, a logic level enable (regulator on/off) pin, and a low dropout voltage of 50mV at 10mA. With better than 70dB (1kHz) of ripple rejection, ultra low noise of 10 μ V_{RMS} and 1% output voltage accuracy, the ILC7071 sets a new standard in linear regulators for communications and personal electronics applications.

The ILC7071 is designed to operate with small, low cost, ceramic capacitors and is stable over a wide range of ESR values. In addition to the output capacitor, the ILC7071 requires only a 1 μ F input capacitor. The enable pin can be tied to V_{IN} for easy device layout. The ILC7071 is available in a number of fixed output voltages ranging from 2.5V to 8V. An adjustable version will be available shortly.

The ILC7071 is ideally suited for use in small size cordless and cellular handsets as well as many other low battery powered electronic devices. Please contact Impala for samples and application information.

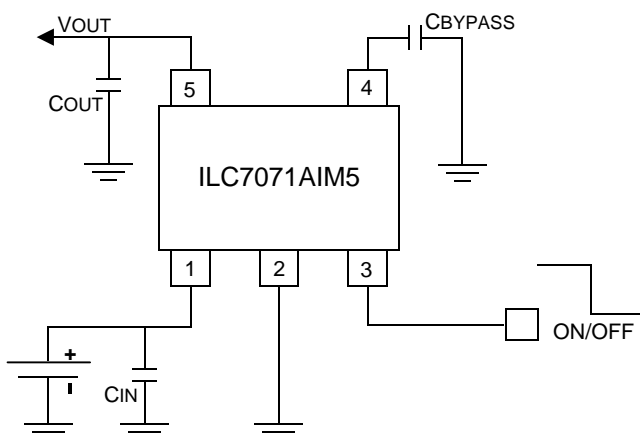
Features

- 1% output voltage accuracy
- Only 10 μ V_{RMS} noise from 300Hz to 100kHz
- Uses low ESR ceramic or Tantalum output capacitor to minimize noise and output ripple
- Only 90 μ A ground current at 100mA load
- Ripple rejection up to 70dB at 1kHz, 60dB at 1MHz
- Excellent line and load transient response
- Guaranteed to 100mA output current
- Industry standard five lead SOT-23-5 packages
- Fixed 2.8V, 3.0V, 3.3V, 3.6V, 4.7V, 5.0V, output voltage options
- Metal mask option available for custom voltages between 2.5V and 8V

Applications

- Cellular phones
- Wireless communicators
- PDAs / palmtops / organizers
- Battery powered portable electronics

Typical Circuit



Ordering Information

($T_A = -40^{\circ}\text{C}$ to $+85^{\circ}\text{C}$)

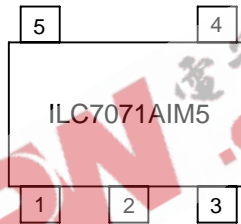
| | |
|---------------|--------------------------------------|
| ILC7071AIM5-X | 100mA, fixed voltage, SOT-23 package |
|---------------|--------------------------------------|

Note: Fixed voltage options are defined by 2-digit code as shown in the package markings information section of the data sheet.

Pin Description ILC7071 (fixed voltage version)

| Pin Number | Pin Name | Pin Description |
|------------|-------------|--|
| 1 | V_{IN} | Connect Directly to Supply |
| 2 | GND | Ground pin. Local ground for C_{OUT} |
| 3 | On/Off | On > 1.0V, off < 0.4V. Can be connected to V_{IN} |
| 4 | C_{NOISE} | Noise Bypass Capacitor. Do Not Pin Connect Directly to GND |
| 5 | V_{OUT} | Regulator Output, Connect C_{OUT} between this pin and the GND (pin 3) |

Pin Package Configurations



| Parameter | Symbol | Ratings | Units |
|-------------------------------|--------------|-------------------------|-------|
| Input Voltage ILC7071 | V_{IN} | -0.3 to 9V | V |
| ON/OFF Input Voltage | $V_{ON/OFF}$ | -0.3 to V_{IN} | V |
| Output Current | I_{OUT} | Short Circuit Protected | mA |
| Output Voltage | V_{OUT} | -0.3 to $V_{IN} + 0.3$ | V |
| Package Power Dissipation | P_D | TBD | mW |
| Maximum Junction Temp. Range | $T_{J(MAX)}$ | -40 to +125 | °C |
| Storage Temperature | T_{STG} | -40to +125 | °C |
| Operation Ambient Temperature | T_{AMB} | -40 to +85 | °C |

Electrical Characteristics ILC7071

Unless otherwise specified, all limits are at $T_A = 25^\circ\text{C}$, $V_{IN} = V_{OUT(NOM)} + 1\text{V}$, $I_{OUT} = 1\text{mA}$, $C_{OUT} = 1\mu\text{F}$, $V_{ON/OFF} = 2\text{V}$

| Parameter | Symbol | Conditions | Typ | Units | |
|-----------------------------------|--|---|--------------|------------------|----|
| Input Voltage Range | V_{IN} | | 2.5-8 | V | |
| Output Voltage Accuracy | | | ± 1 | % | |
| Line Regulation | $\Delta V_{OUT}/(V_{OUT} \cdot \Delta V_{IN})$ | $V_{OUT}(\text{NOM}) + \leq 8\text{V}$ | 0.007 | %/V | |
| Dropout Voltage (Note 3) | $\frac{\Delta V_{IN}}{V_{DO}} V_{OUT}$ | $I_{OUT} = 10\mu\text{A}$ | 0.1 | mV | |
| | | $I_{OUT} = 10\text{mA}$ | 50 | | |
| | | $I_{OUT} = 20\text{mA}$ | 70 | | |
| | | $I_{OUT} = 100\text{mA}$ | 235 | | |
| Ground Pin Current | I_{GND} | $I_{OUT} = 0\text{mA}$ | 66 | μA | |
| | | $I_{OUT} = 10\text{mA}$ | 67 | | |
| | | $I_{OUT} = 100\text{mA}$ | 90 | | |
| Shutdown (OFF) Current | $I_{ON/OFF}$ | $V_{ON/OFF} = 0\text{V}$ | 0.1 | μA | |
| ON/OFF Input Voltage | $V_{ON/OFF}$ | High = Regulator On Low = Regulator Off | 1.5 0.6 | V | |
| ON/OFF Pin Input Current (Note 5) | $I_{IN\ ON/OFF}$ | $V_{ON/OFF} = 0.6\text{V}$ Regulator OFF $V_{ON/OFF} = 2\text{V}$ Regulator ON | 0.3 1 | μA | |
| Peak Output Current (Note 4) | $I_{OUT(\text{peak})}$ | $V_{OUT} \leq 0.95V_{OUT(\text{NOM})}$, $t_{PW} = 2\text{ms}$ | 120 | mA | |
| Output Noise Voltage (RMS) | ϵ_N | BW = 300Hz to 50kHz, $C_{IN} = 1\mu\text{F}$ $C_{NOISE} = 0.01\mu\text{F}$, $C_{OUT} = 1.0\mu\text{F}$, $I_{OUT} = 10\text{mA}$ | TBD | μVrms | |
| Ripple Rejection | $\Delta V_{OUT}/\Delta V_{IN}$ | $C_{OUT} = 1.0\mu\text{F}$ $I_{OUT} = 100\text{mA}$ | Freq = 1kHz | 70 | dB |
| | | | Freq = 10kHz | 50 | |
| | | | Freq = 1MHz | 65 | |
| Dynamic Line Regulation | $\Delta V_{OUT(\text{line})}$ | $V_{IN}: V_{OUT(\text{NOM})} + 1\text{V}$ to $V_{OUT(\text{NOM})} + 2\text{V}$, $t_r/t_f = 2\mu\text{s}$; $I_{OUT} = 80\text{mA}$ | 14 | mV | |
| Dynamic Load Regulation | $\Delta V_{OUT(\text{load})}$ | $I_{OUT}: 1\text{mA}$ to 100mA ; $t_r, 5\mu\text{s}$ | 40 | mV | |
| Short Circuit Current | I_{SC} | $V_{OUT} = 0\text{V}$ | 200 | mA | |
| Resistance Shutdown Discharge | | | 1.5 | k Ω | |

Note 1: Absolute maximum ratings indicate limits which when exceeded may result in damage to the component. Electrical specifications do not apply when operating the device outside of its rated operating conditions.

Note 2: Specified Min/Max limits are production tested or guaranteed through correlation based on statistical control methods. Measurements are taken at constant junction temperature as close to ambient as possible using low duty pulse testing.

Note 3: Dropout voltage is defined as the input to output differential voltage at which the output voltage drops 2% below the nominal value measured with a 1V differential.

Note 4: Guaranteed by design

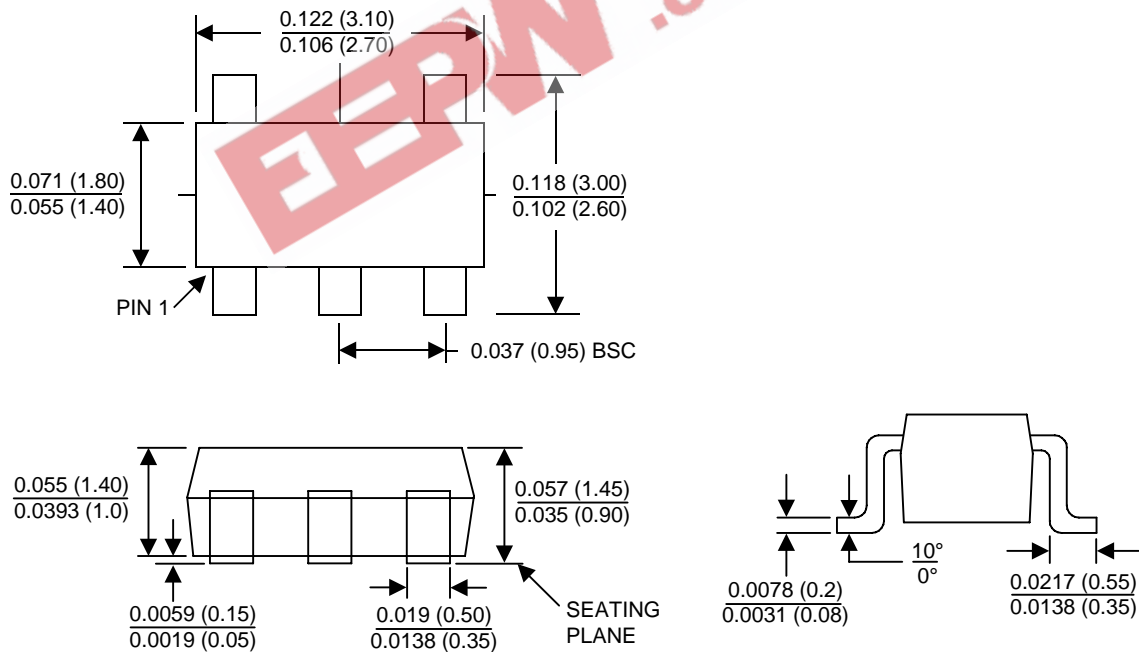
Note 5: The device's shutdown pin includes a 2M Ω internal pull down resistor connected to ground.

SOT-23-5 Package Markings
ILC7071AIM5-xx

| Output Voltage (V) | Grade | Order Information | Supplied As: |
|--------------------|-------|-------------------|---------------------------|
| 2.8 | A | ILC7071AIM5-28 | 3K Units on Tape and Reel |
| 3.0 | A | ILC7071AIM5-30 | 3K Units on Tape and Reel |
| 3.3 | A | ILC7071AIM5-33 | 3K Units on Tape and Reel |
| 3.6 | A | ILC7071AIM5-36 | 3K Units on Tape and Reel |
| 4.7 | A | ILC7071AIM5-47 | 3K Units on Tape and Reel |
| 5.0 | A | ILC7071AIM5-50 | 3K Units on Tape and Reel |

*NOTE: First two characters identify the product and the last two characters identify the datecode

Package Outline Dimensions
 Dimensions shown in inches and (mm)
 5-Lead plastic surface mount (SOT-23-5)



ILC7071 fig. 3

Devices sold by Impala Linear Corporation are covered by the warranty and patent indemnification provisions appearing in its Terms of Sale only. Impala Linear Corporation makes no warranty, express, statutory, implied, or by description regarding the information set forth herein or regarding the freedom of the described device from patent infringement. Impala Linear Corporation makes no warranty of merchantability or fitness for any purpose. Impala Linear Corporation reserves the right to discontinue production and change specifications and prices at any time and without notice.

This product is intended for use in normal commercial applications. Applications requiring an extended temperature range, unusual environmental requirements, or high reliability applications, such as military and aerospace, are specifically not recommended without additional processing by Impala Linear Corporation.

Impala Linear Corporation assumes no responsibility for the use of any circuitry other than circuitry embodied in an Impala Linear Corporation product. No other circuits, patents, licenses are implied.

Life Support Policy

Impala Linear Corporation's products are not authorized for use as critical components in life support devices or systems.

1. Life support devices or systems are devices or systems which, (a) are intended for surgical implant into the body, or (b) support or sustain life, and whose failure to perform, when properly used in accordance with instructions for use provided in the labeling, can be reasonably expected to result in a significant injury to the user.
2. A critical component is any component of a life support device or system whose failure to perform can be reasonably expected to cause the failure of the life support device or system, or to affect its safety or effectiveness.