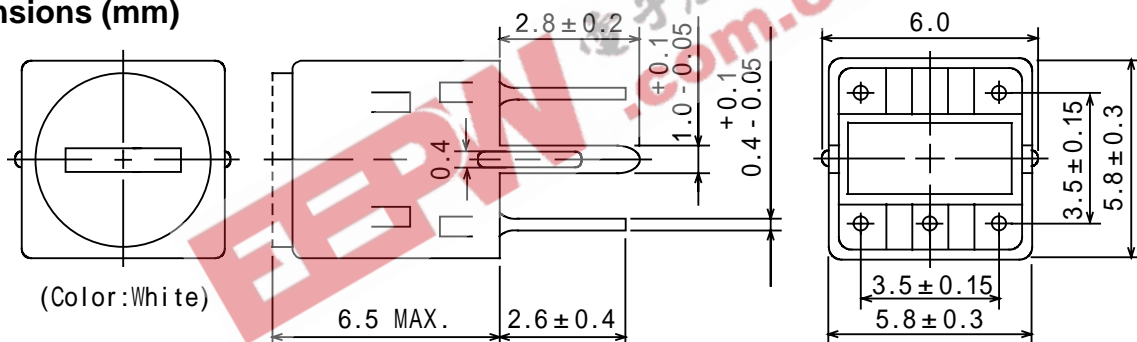


**Type: P-5LG/FM, P-5LG/AM, P-5LG/MW, P-5LG/SW**
**Product Description**

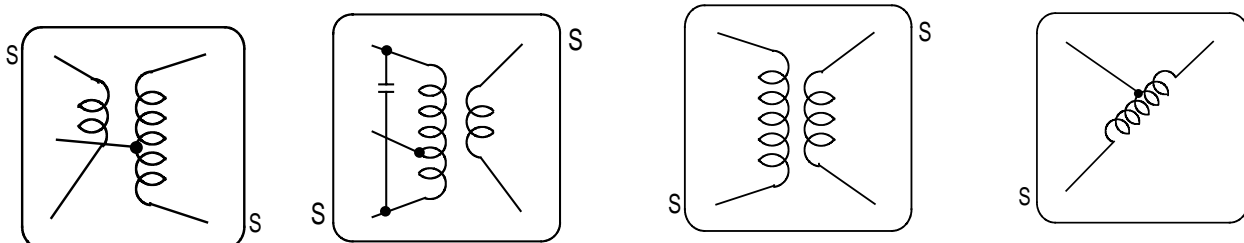
- 6.0 × 5.9mm Max.(L × W), 6.5mm Max. Height.
- Inductance:1~680μH Max.
- Operating frequency:20MHz Max.
- In addition to the reference versions of parameters shown here,custom designs are available to meet your exact requirements.


**Feature**

- Variable shielded types.
- FM,AM,MW,SW types are available.
- Internally assembled condenser is available.
- Ideally used in Radio (FM,AM,MW,SW),TV. Transceiver
- RoHS Compliance

**Dimensions (mm)**


- \* Dimension does not include solder used on coil.
- \* Pin pitch shall be measured at the root of terminal.
- \* Dimension without tolerance are approx.

**Connection (Bottom View)**


P-5LG/FM

P-5LG/AM

P-5LG/MW

P-5LC/SW

"S" is winding start

**Specification (P-5LG/FM) (Part No. 4176-T051)**

Please refer to the sales offices on our website for a representative near you

**Type: P-5LG/FM, P-5LG/AM, P-5LG/MW, P-5LG/SW**

Item	(4-6)	Measuring Condition
Tuning Capacity	65pF±4% Variable	10.7MHz
Unloaded Q	Min. 55	10.7MHz
Inductance	3.4μH (Ref.)	

**Specification (P-5LG/AM) (Part No. 4175-T083)**

Item	(1-3)	Measuring Condition
Frequency	455kHz±2% Variable	
Capacity (Int.)	180pF±10%	
Unloaded Q	45 Min	455kHz
Ext. stray capacity 0pF between (1-3) at measuring.		

**Specification (P-5LG/MW) (Part No. 4177-T039)**

Item	(1-3)	Measuring Condition
Inductance	125 μ H ± 4% Variable	796kHz
Unloaded Q	Min. 50	796kHz

**Specification (P-5LG/SW) (Part No. S1325005)**

Item	(1-4)	Measuring Condition
Inductance	5 μ H ± 4% Variable	7.96MHz
Unloaded Q	Min. 55	7.96MHz
Using Frequency: 4MHz		