

DATA SHEET

EEPW 电子產品世界
.com.cn

TDA3664

Very low dropout voltage/quiescent
current 5 V voltage regulator

Preliminary specification
Supersedes data of 1999 Aug 11
File under Integrated Circuits, IC01

1999 Sep 01

Very low dropout voltage/quiescent current 5 V voltage regulator

TDA3664

FEATURES

General

- Fixed 5 V, 100 mA regulator
- Supply voltage range up to +33 V (45 V)
- Very low quiescent current (typically 15 μ A)
- Very low dropout voltage
- High ripple rejection
- Very high stability
 - Electrolytic capacitors: ESR (Equivalent Series resistance) < 38 Ω at $I_{REG} \leq 25$ mA
 - Other capacitors: 100 nF at $200 \mu\text{A} \leq I_{REG} \leq 100$ mA see Fig.5 and Fig.6
- Pin compatible family TDA3662 up to TDA3666.

Protections

- Reverse polarity safe (down to -25 V without high reverse current)
- Negative transient of 50 V ($R_S = 10 \Omega$, $t < 100$ ms)

- Able to withstand voltages up to 18 V at the output (supply line may be short-circuited)
- ESD protection on all pins
- DC short-circuit safe to ground and V_P of regulator output
- Temperature protection ($T_j > 150$ $^{\circ}\text{C}$).

GENERAL DESCRIPTION

The TDA3664 is a fixed 5 V voltage regulator with very low dropout voltage/quiescent current, which operates over a wide supply voltage range.

The regulator is available as:

- TDA3664T: SO8 package (non-automotive)
- TDA3664AT: SO8 package (automotive)
- TDA3664: SOT223 package (automotive).

Automotive: $V_P \leq 50$ V, -40 $^{\circ}\text{C} \leq T_{amb} \leq +125$ $^{\circ}\text{C}$.

Non-automotive: $V_P \leq 22$ V, -40 $^{\circ}\text{C} \leq T_{amb} \leq +85$ $^{\circ}\text{C}$.

QUICK REFERENCE DATA

SYMBOL	PARAMETER	CONDITIONS	MIN.	TYP.	MAX.	UNIT
Supply						
V_P	supply voltage					
	TDA3664	regulator on	3	14.4	45	V
	TDA3664AT	regulator on	3	14.4	45	V
	TDA3664T	regulator on	3	14.4	33	V
$I_{q(\text{tot})}$	total quiescent supply current (all versions)	$V_P = 14.4$ V; no load	–	15	30	μ A
Voltage regulator						
V_{REG}	regulator output voltage					
	TDA3664T	$8 \text{ V} \leq V_P \leq 22 \text{ V}$	4.8	5.0	5.2	V
	TDA3664 and TDA3664AT	$6 \text{ V} \leq V_P \leq 45 \text{ V}$	4.75	5.0	5.25	V
I_{REG}	regulator output current	$0.5 \text{ mA} \leq I_{REG} \leq 100 \text{ mA}$	4.75	5.0	5.25	V
$V_{REG(\text{drop})}$	dropout voltage	$I_{REG} = 50 \text{ mA}$	–	0.18	0.3	V

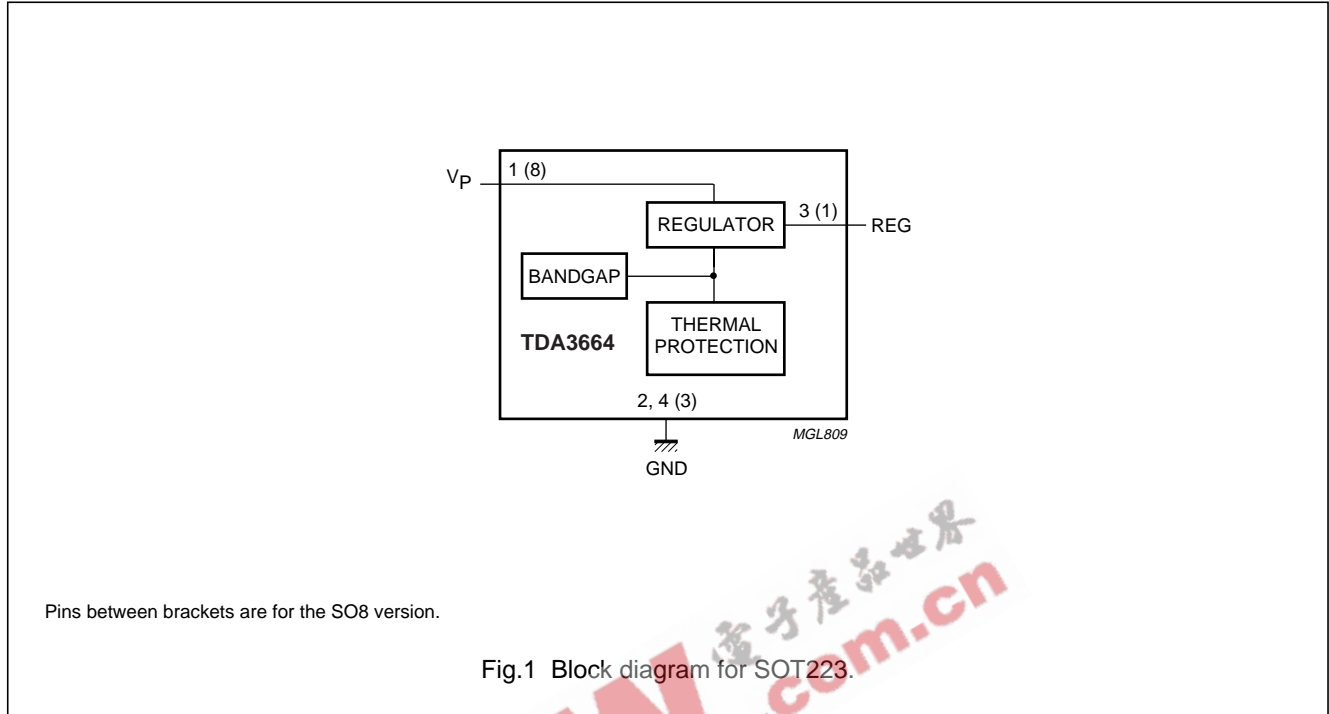
ORDERING INFORMATION

TYPE NUMBER	PACKAGE		
	NAME	DESCRIPTION	VERSION
TDA3664	–	plastic surface mounted package; collector pad for good heat transfer; 4 leads	SOT223
TDA3664T	SO8	plastic small outline package; 8 leads; body width 3.9 mm	SOT96-1
TDA3664AT	SO8	plastic small outline package; 8 leads; body width 3.9 mm	SOT96-1

Very low dropout voltage/quiescent current 5 V voltage regulator

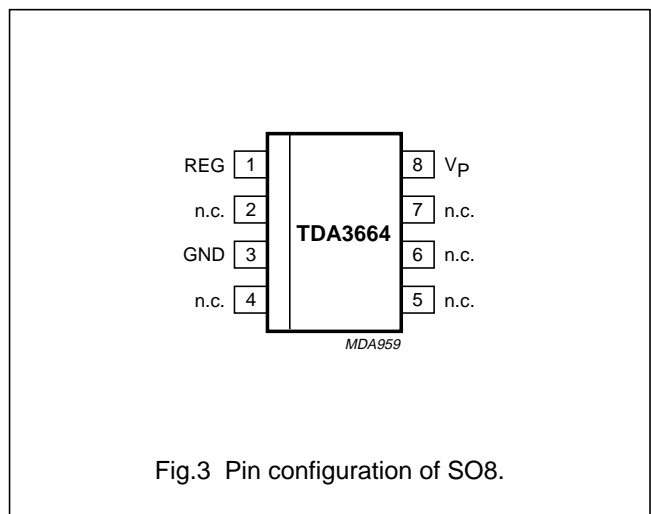
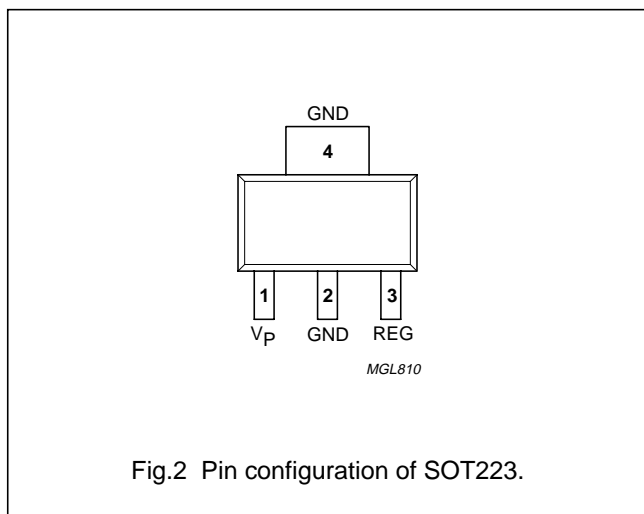
TDA3664

BLOCK DIAGRAM



PINNING

SYMBOL	PIN		DESCRIPTION
	SOT223	SO8	
V _P	1	8	supply voltage
GND	2 and 4	3	ground
REG	3	1	regulator output
n.c.	—	2, 4, 5, 6 and 7	not connected



Very low dropout voltage/quiescent current 5 V voltage regulator

TDA3664

FUNCTIONAL DESCRIPTION

The TDA3664 is a fixed 5 V regulator which can deliver output currents up to 100 mA. The regulator is available in SO8 and SOT223 packages. The regulator is intended for portable, mains, telephone and automotive applications. To increase the lifetime of batteries, a specially built-in clamp circuit keeps the quiescent current of this regulator very low, also in dropout and full load conditions.

The regulator remains operational down to very low supply voltages, below which it switches off.

A temperature protection is included, which switches the regulator output off at IC temperatures above 150 °C.

A new output structure guarantees the stability of the regulator with an ESR up to 38 Ω. This is very attractive as the ESR of an electrolytic capacitor increases strongly at low temperatures (no expensive tantalum capacitor required).

LIMITING VALUES

In accordance with the Absolute Maximum Rating System (IEC 134).

SYMBOL	PARAMETER	CONDITIONS	MIN.	MAX.	UNIT
V _P	supply voltage				
	TDA3664T		–	22	V
	TDA3664		–	45	V
	TDA3664AT		–	45	V
V _{P(rp)}	reverse polarity supply voltage	non-operating	–	–25	V
P _{tot}	total power dissipation	T _{amb} = 25 °C			
	SO8		–	0.8	W
	SOT223		–	5	W
T _{stg}	storage temperature	non-operating	–55	+150	°C
T _{amb}	ambient temperature range	operating			
	TDA3664T		–40	+85	°C
	TDA3664		–40	+125	°C
	TDA3664AT		–40	+125	°C
T _j	junction temperature	operating	–40	+150	°C

THERMAL CHARACTERISTICS

SYMBOL	PARAMETER	CONDITIONS	VALUE	UNIT
R _{th(j-a)}	thermal resistance from junction to ambient	in free air, soldered in		
	SO8		155	K/W
	SOT223		100	K/W
R _{th(j-c)}	thermal resistance from junction to case (SOT223)	in free air	25	K/W

QUALITY SPECIFICATION

In accordance with "SNW-FQ-611E". The number of the quality specification can be found in the "Quality Reference Handbook".

Very low dropout voltage/quiescent current 5 V voltage regulator

TDA3664

CHARACTERISTICS

$V_P = 14.4\text{ V}$; $T_{\text{amb}} = 25\text{ °C}$; see Fig.4; unless otherwise specified.

SYMBOL	PARAMETER	CONDITIONS	MIN.	TYP.	MAX.	UNIT
Supply voltage						
V_P	supply voltage					
	TDA3664	regulator operating; note 1	3	14.4	45	V
	TDA3664AT	regulator operating; note 1	3	14.4	45	V
	TDA3664T	regulator operating; note 1	3	14.4	33	V
I_q	quiescent current	$V_P = 4.5\text{ V}$; $I_{\text{REG}} = 0$	–	10	–	μA
		$V_P = 14.4\text{ V}$; $I_{\text{REG}} = 0$	–	15	30	μA
		$6\text{ V} \leq V_P \leq 22\text{ V}$; $I_{\text{REG}} = 10\text{ mA}$	–	0.2	0.5	mA
		$6\text{ V} \leq V_P \leq 22\text{ V}$; $I_{\text{REG}} = 50\text{ mA}$	–	1.4	2.5	mA
Regulator output: on pin REG ($I_{\text{REG}} = 0.5\text{ mA}$), $-40\text{ °C} \leq T_{\text{amb}} \leq 125\text{ °C}$; note 2						
V_{REG}	regulated output voltage	$I_{\text{REG}} = 0.5\text{ mA}$, $8\text{ V} \leq V_P \leq 22\text{ V}$, $T_{\text{amb}} = 25\text{ °C}$	4.8	5.0	5.2	V
		$I_{\text{REG}} = 0.5\text{ mA}$, $8\text{ V} \leq V_P \leq 22\text{ V}$	4.75	5.0	5.25	V
		$0.5\text{ mA} \leq I_{\text{REG}} \leq 100\text{ mA}$	4.75	5.0	5.25	V
		$6\text{ V} \leq V_P \leq 45\text{ V}$; note 2	4.75	5.0	5.25	V
$\Delta V_{\text{REG}}(\text{line})$	line regulation voltage	$8\text{ V} \leq V_P \leq 16\text{ V}$, $T_{\text{amb}} = 25\text{ °C}$	–	1	10	mV
		$7\text{ V} \leq V_P \leq 22\text{ V}$, $T_{\text{amb}} = 25\text{ °C}$	–	1	30	mV
		$7\text{ V} \leq V_P \leq 45\text{ V}$; note 2	–	1	50	mV
$\Delta V_{\text{REG}}(\text{load})$	load regulation voltage	$0.5\text{ mA} \leq I_{\text{REG}} \leq 50\text{ mA}$	–	10	50	mV
SVRR	supply voltage ripple rejection	$f_i = 120\text{ Hz}$; $V_{\text{ripple}} = 1\text{ V}_{\text{rms}}$	50	60	–	dB
$V_{\text{REG}}(\text{drop})$	dropout voltage	$I_{\text{REG}} = 50\text{ mA}$; $V_P = 4.5\text{ V}$; $T_{\text{amb}} \leq 85\text{ °C}$	–	0.18	0.3	V
$I_{\text{REG}}(\text{crl})$	current limit	$V_{\text{REG}} > 4.5\text{ V}$	0.17	0.25	–	A
$V_{\text{REG}}(\text{stab})$	long-term stability		–	20	–	mV/1000 h
$I_{\text{LO}}(\text{rp})$	output leakage current	with reverse polarity input $V_P = -15\text{ V}$, $V_{\text{REG}} \leq 0.3\text{ V}$	–	1	500	μA

Notes

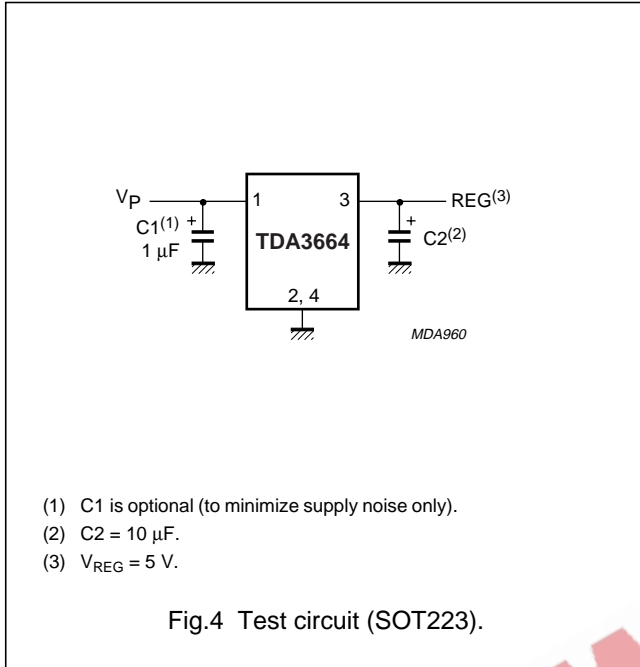
1. The regulator output will follow V_P if $V_P < V_{\text{REG}} + V_{\text{REG}}(\text{drop})$
2. TDA3664T: $V_P \leq 22\text{ V}$; $-40\text{ °C} \leq T_{\text{amb}} \leq 85\text{ °C}$.

Very low dropout voltage/quiescent current 5 V voltage regulator

TDA3664

TEST AND APPLICATION INFORMATION

Test information



Application information

NOISE

The output noise is determined by the value of the output capacitor, see Table 1.

Table 1 Noise figures

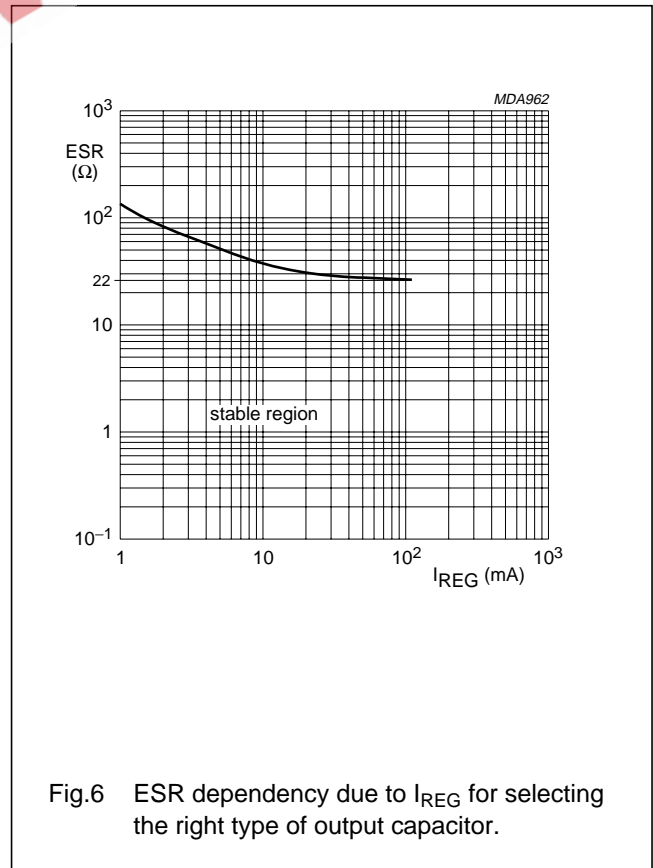
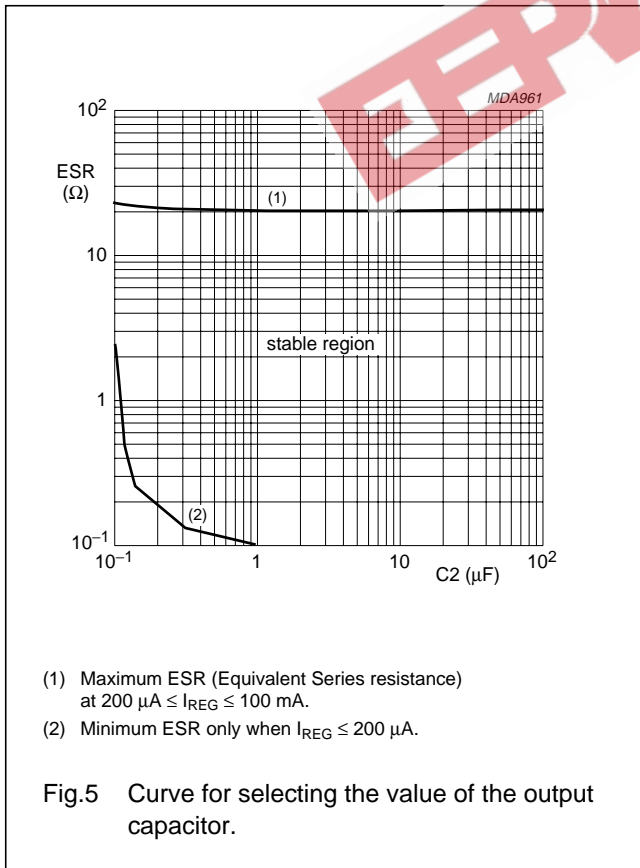
OUTPUT CURRENT I _O (mA)	NOISE FIGURE (µV) ⁽¹⁾		
	C _O = 10 µF	C _O = 47 µF	C _O = 100 µF
0.5	550	320	300
50	650	400	400

Note

- Measured at a bandwidth of 10 Hz to 100 kHz.

STABILITY

The regulator is stabilized with an external capacitor on the output. The value of this capacitor can be selected using the diagrams shown in Fig.5 and Fig.6. The four examples on the next page show the effects of the stabilization circuit using different values for the output capacitor.



Very low dropout voltage/quiescent current 5 V voltage regulator

TDA3664

Example 1

The regulator is stabilized with an electrolytic output capacitor of 68 μF (ESR = 0.5 Ω). At $-40\text{ }^\circ\text{C}$, the capacitor value is decreased to 22 μF and the ESR is increased to 3.5 Ω . The regulator will remain stable at a temperature of $-40\text{ }^\circ\text{C}$.

Example 2

The regulator is stabilized with an electrolytic output capacitor of 10 μF (ESR = 3.3 Ω). At $-40\text{ }^\circ\text{C}$, the capacitor value is decreased to 3 μF and the ESR is increased to 20 Ω . The regulator will remain stable at a temperature of $-40\text{ }^\circ\text{C}$.

Example 3

The regulator is stabilized with a 100 nF MKT capacitor on the output. Full stability is guaranteed when the output current is over 200 μA .

Because the thermal influence on this capacitor value is almost zero, the regulator will remain stable at a temperature of $-40\text{ }^\circ\text{C}$.

Example 4

The regulator is stabilized with a 100 nF capacitor in parallel with a electrolytic capacitor of 10 μF on the output.

The regulator is now stable under all conditions and independent of:

- The ESR of the electrolytic capacitor
- The value of the electrolytic capacitor
- The output current.

APPLICATION CIRCUITS

The maximum output current of the regulator equals:

$$I_{o(max)} = \frac{150 - T_{amb}}{R_{th(j-a)} \times (V_P - V_{REG})} = \frac{150 - T_{amb}}{100 \times (V_P - 5)} \text{ (mA)}$$

When $T_{amb} = 21\text{ }^\circ\text{C}$, the maximum output current equals 140 mA at $V_P = 14\text{ V}$.

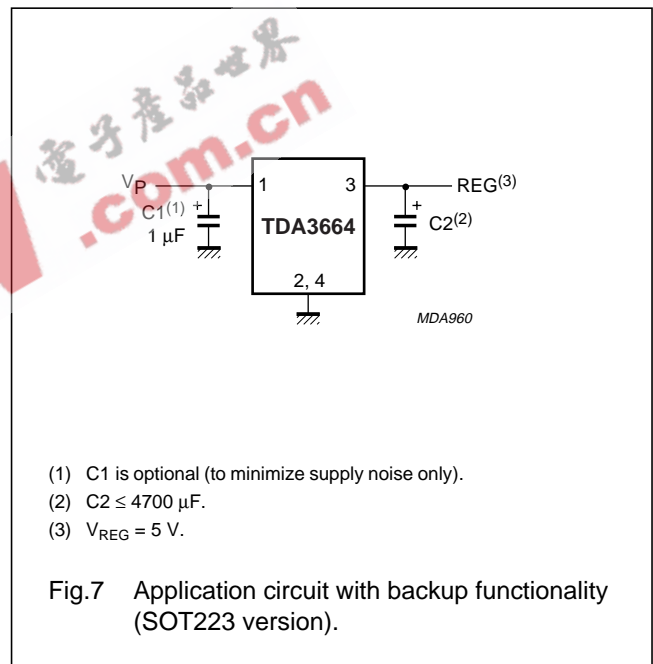
The total thermal resistance of the TDA3664 (SOT223 package) can be decreased to lower values when pin 4 and body of the package are soldered to the printed-circuit board.

Application circuit with backup function

Sometimes, a backup function is needed to supply, for example, a microprocessor for a short period of time when the supply voltage spikes to 0 V (or even -1 V).

This function can be easily built with the TDA3664 by using a large output capacitor. When the supply voltage is 0 V (or -1 V), no large current will flow into the output pin out of this large output capacitor (only a few μA).

The application circuit is given in Fig.7.

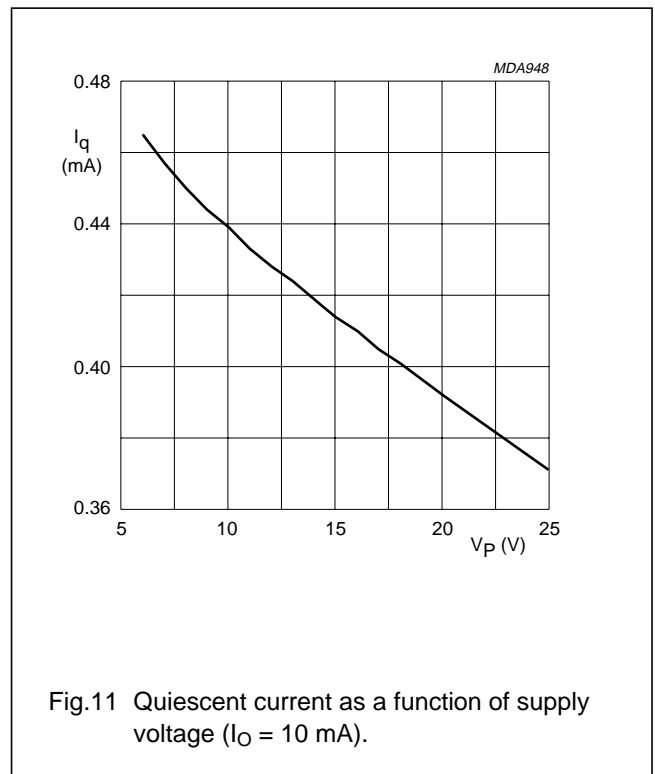
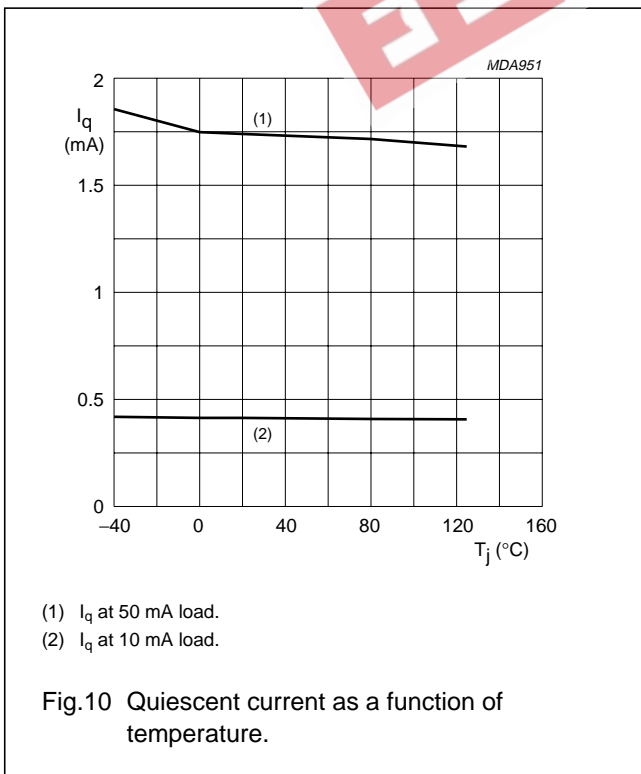
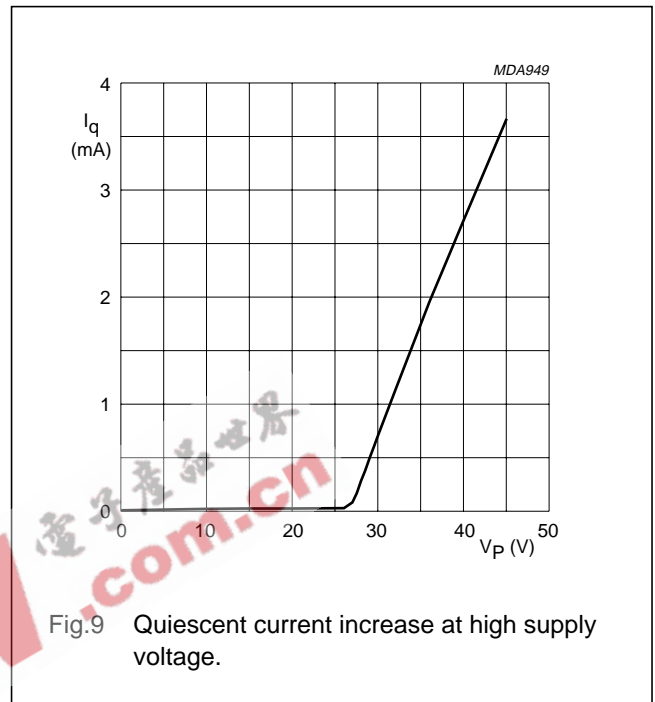
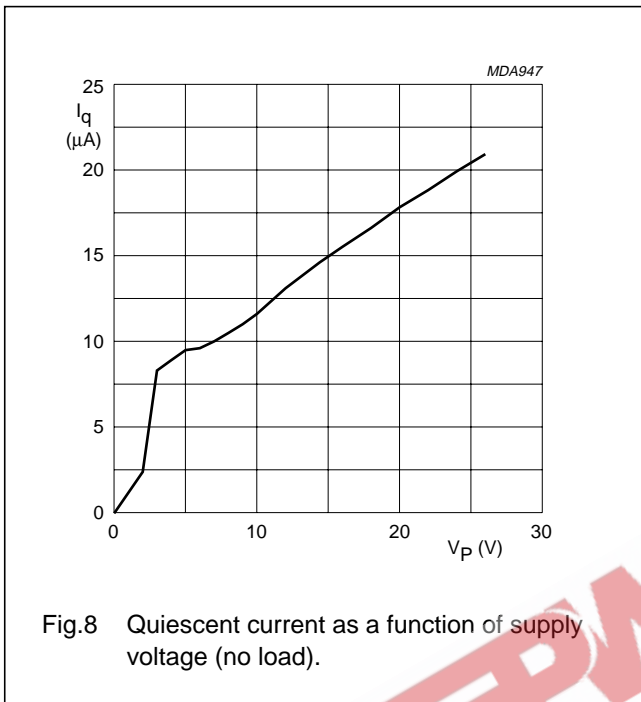


Very low dropout voltage/quiescent current 5 V voltage regulator

TDA3664

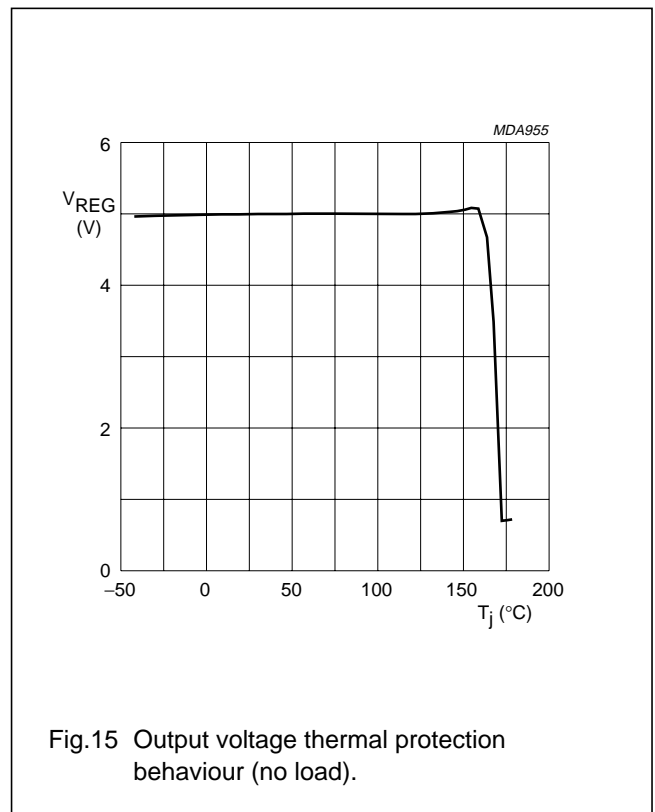
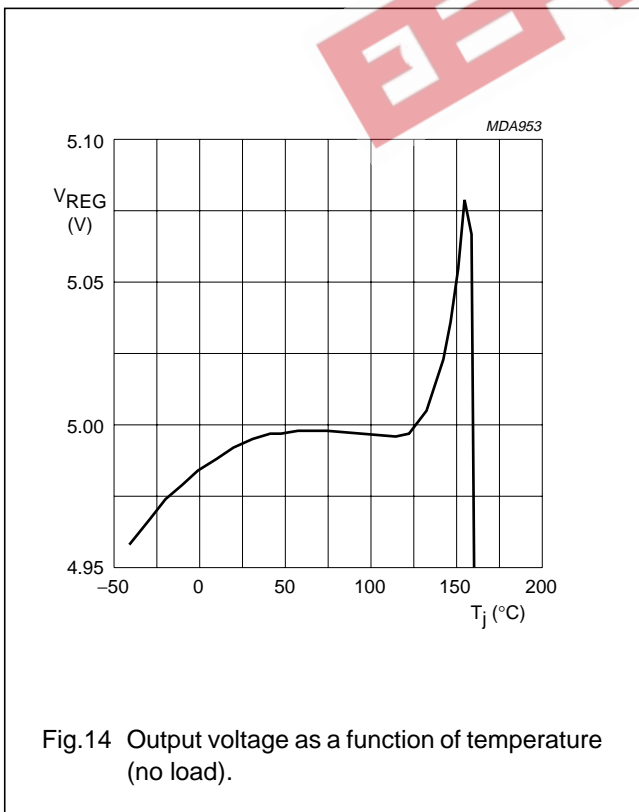
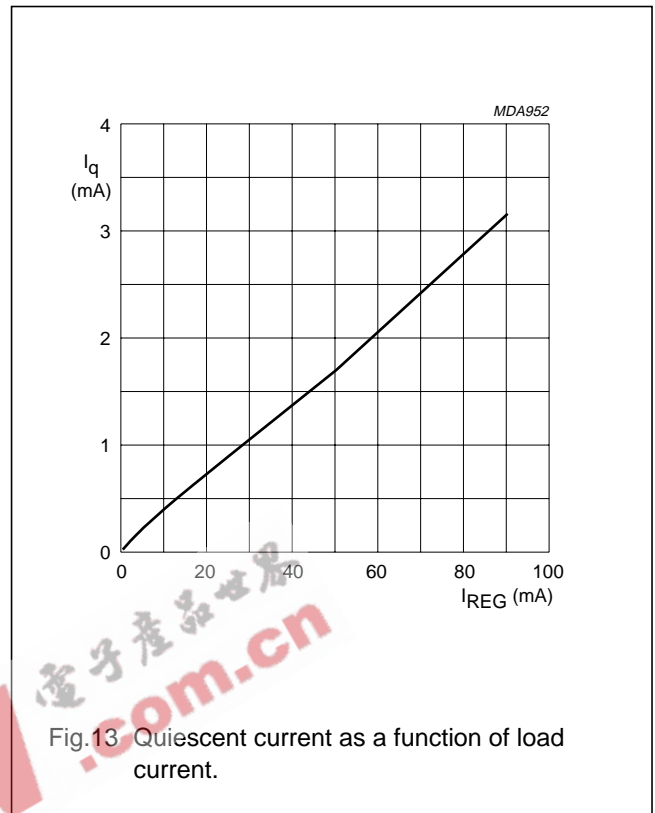
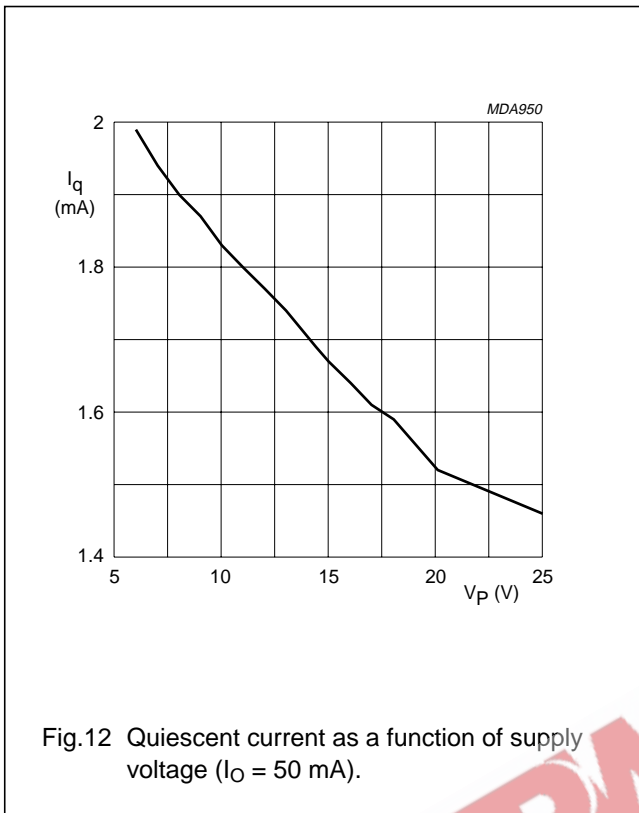
ADDITIONAL APPLICATION INFORMATION

This section gives typical curves for various parameters measured on the TDA3664AT. Standard test conditions are: $V_P = 14.4\text{ V}$; $T_{amb} = 25\text{ }^\circ\text{C}$.



Very low dropout voltage/quiescent current 5 V voltage regulator

TDA3664



Very low dropout voltage/quiescent current 5 V voltage regulator

TDA3664

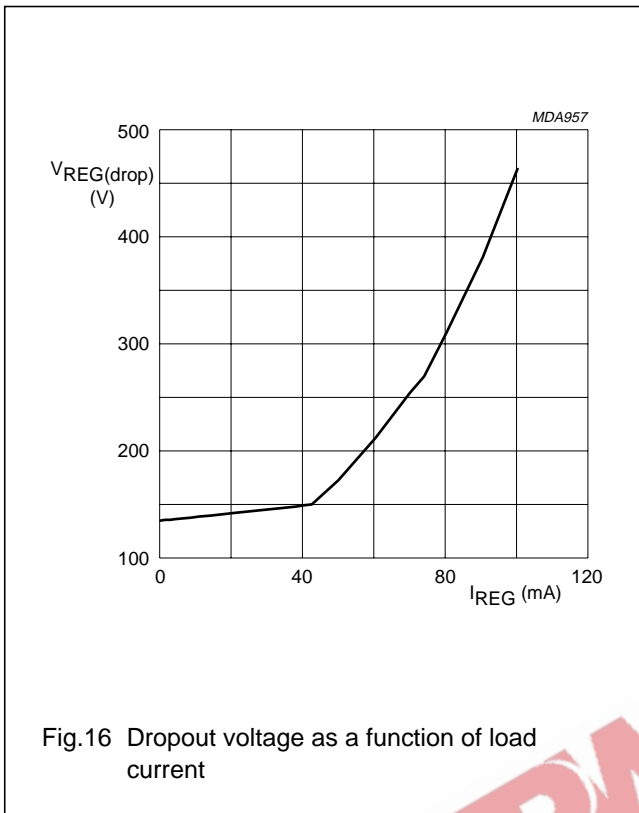


Fig.16 Dropout voltage as a function of load current

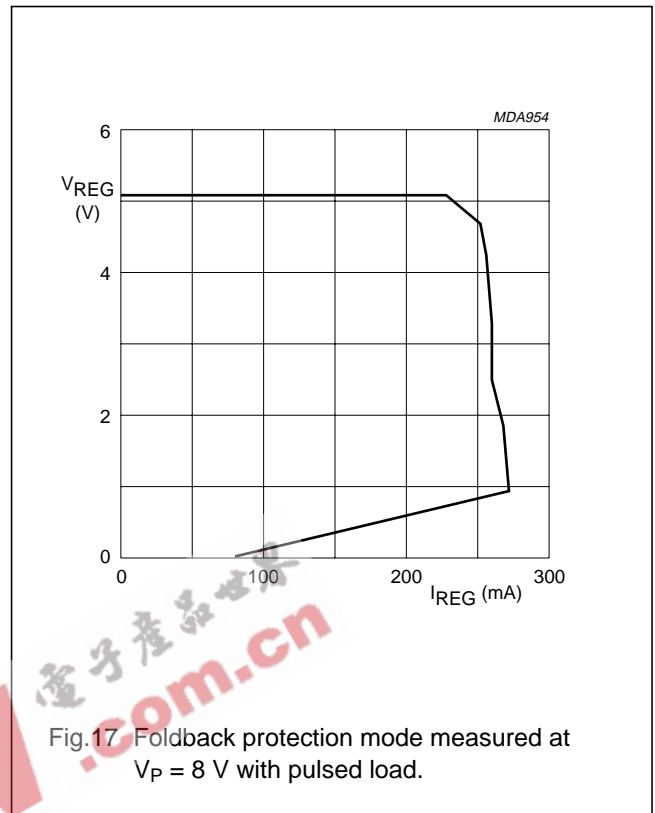
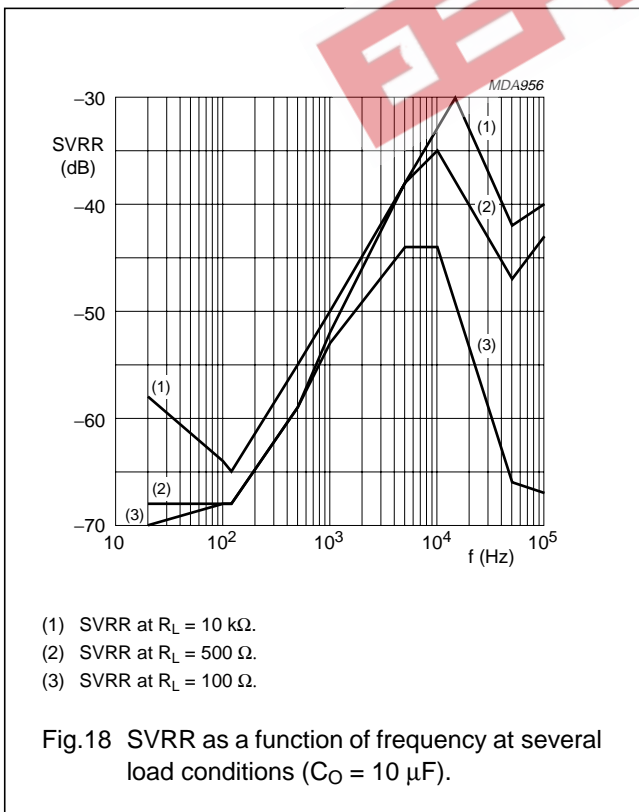


Fig.17 Foldback protection mode measured at $V_P = 8 V$ with pulsed load.



- (1) SVRR at $R_L = 10 k\Omega$.
- (2) SVRR at $R_L = 500 \Omega$.
- (3) SVRR at $R_L = 100 \Omega$.

Fig.18 SVRR as a function of frequency at several load conditions ($C_O = 10 \mu F$).

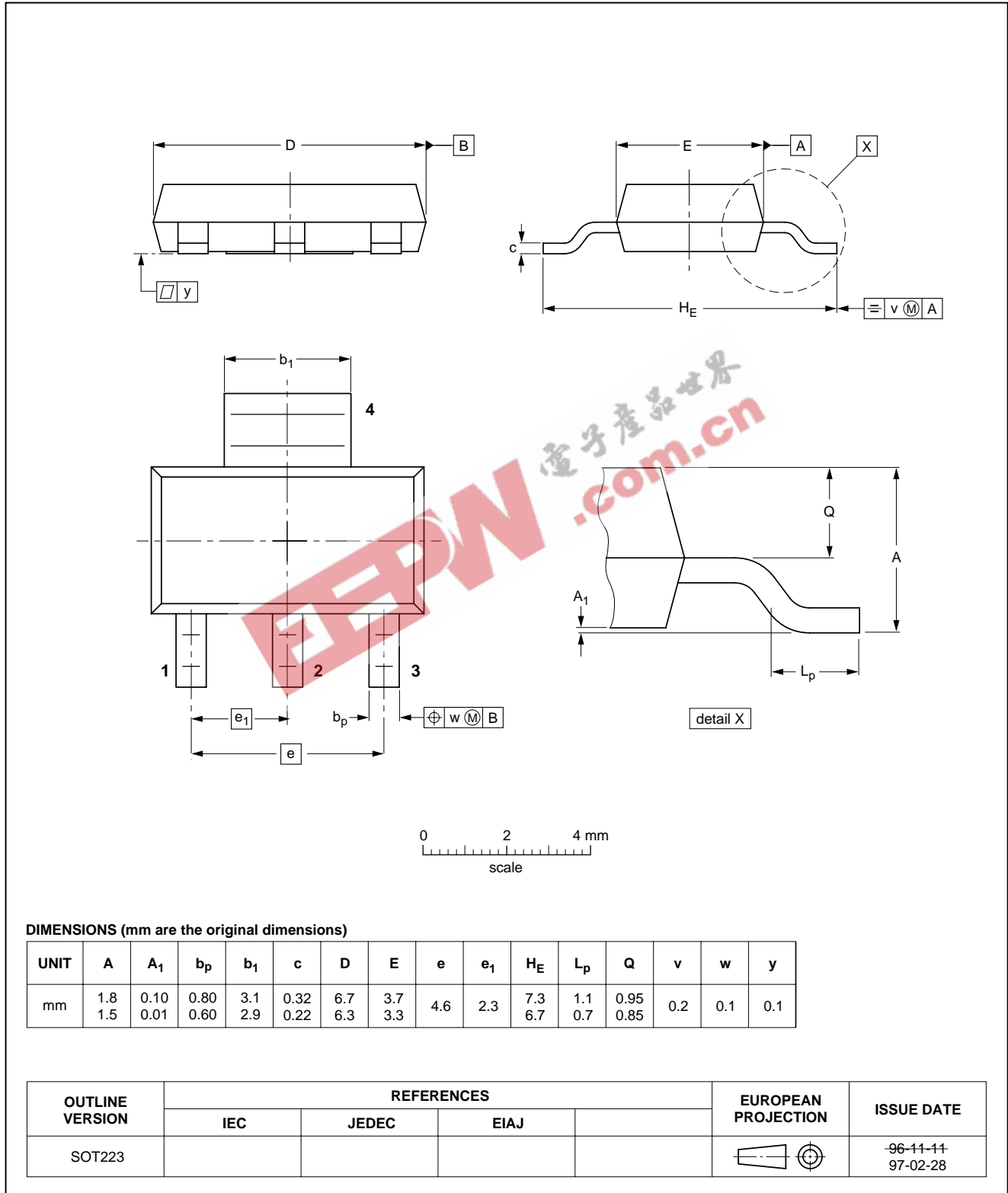
Very low dropout voltage/quiescent current 5 V voltage regulator

TDA3664

PACKAGE OUTLINES

Plastic surface mounted package; collector pad for good heat transfer; 4 leads

SOT223

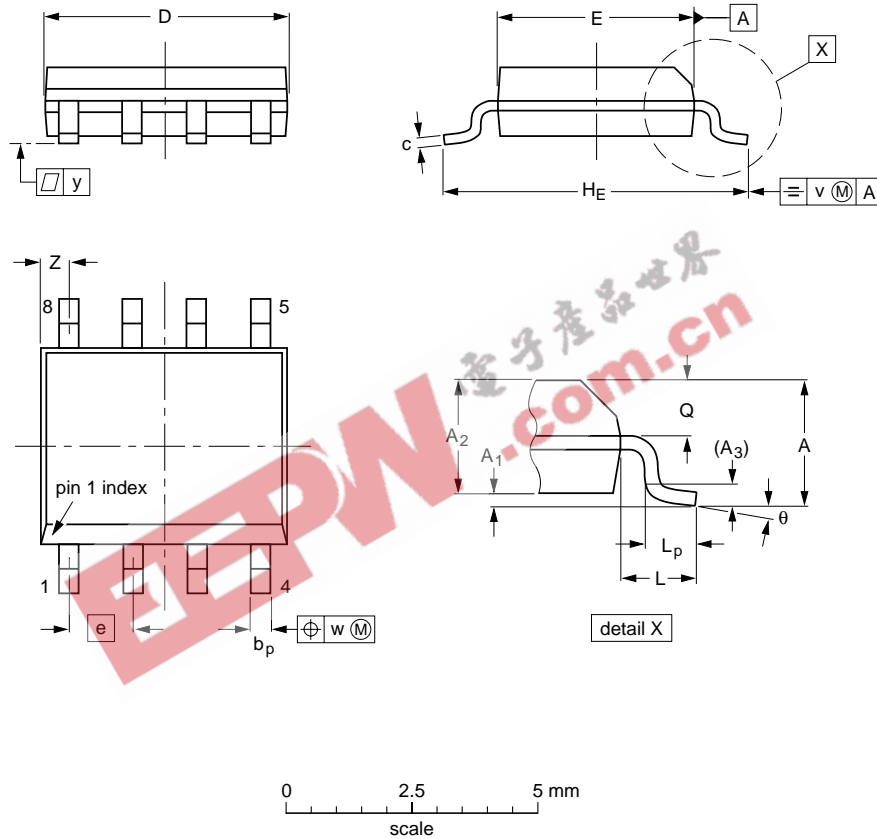


Very low dropout voltage/quiescent current 5 V voltage regulator

TDA3664

SO8: plastic small outline package; 8 leads; body width 3.9 mm

SOT96-1



DIMENSIONS (inch dimensions are derived from the original mm dimensions)

UNIT	A max.	A ₁	A ₂	A ₃	b _p	c	D ⁽¹⁾	E ⁽²⁾	e	H _E	L	L _p	Q	v	w	y	z ⁽¹⁾	θ
mm	1.75	0.25 0.10	1.45 1.25	0.25	0.49 0.36	0.25 0.19	5.0 4.8	4.0 3.8	1.27	6.2 5.8	1.05	1.0 0.4	0.7 0.6	0.25	0.25	0.1	0.7 0.3	8° 0°
inches	0.069	0.010 0.004	0.057 0.049	0.01	0.019 0.014	0.0100 0.0075	0.20 0.19	0.16 0.15	0.050	0.244 0.228	0.041	0.039 0.016	0.028 0.024	0.01	0.01	0.004	0.028 0.012	

Notes

1. Plastic or metal protrusions of 0.15 mm maximum per side are not included.
2. Plastic or metal protrusions of 0.25 mm maximum per side are not included.

OUTLINE VERSION	REFERENCES				EUROPEAN PROJECTION	ISSUE DATE
	IEC	JEDEC	EIAJ			
SOT96-1	076E03S	MS-012AA				95-02-04 97-05-22

Very low dropout voltage/quiescent current 5 V voltage regulator

TDA3664

SOLDERING

Introduction to soldering surface mount packages

This text gives a very brief insight to a complex technology. A more in-depth account of soldering ICs can be found in our "Data Handbook IC26; Integrated Circuit Packages" (document order number 9398 652 90011).

There is no soldering method that is ideal for all surface mount IC packages. Wave soldering is not always suitable for surface mount ICs, or for printed-circuit boards with high population densities. In these situations reflow soldering is often used.

Reflow soldering

Reflow soldering requires solder paste (a suspension of fine solder particles, flux and binding agent) to be applied to the printed-circuit board by screen printing, stencilling or pressure-syringe dispensing before package placement.

Several methods exist for reflowing; for example, infrared/convection heating in a conveyor type oven. Throughput times (preheating, soldering and cooling) vary between 100 and 200 seconds depending on heating method.

Typical reflow peak temperatures range from 215 to 250 °C. The top-surface temperature of the packages should preferably be kept below 230 °C.

Wave soldering

Conventional single wave soldering is not recommended for surface mount devices (SMDs) or printed-circuit boards with a high component density, as solder bridging and non-wetting can present major problems.

To overcome these problems the double-wave soldering method was specifically developed.

If wave soldering is used the following conditions must be observed for optimal results:

- Use a double-wave soldering method comprising a turbulent wave with high upward pressure followed by a smooth laminar wave.
- For packages with leads on two sides and a pitch (e):
 - larger than or equal to 1.27 mm, the footprint longitudinal axis is **preferred** to be parallel to the transport direction of the printed-circuit board;
 - smaller than 1.27 mm, the footprint longitudinal axis **must** be parallel to the transport direction of the printed-circuit board.

The footprint must incorporate solder thieves at the downstream end.

- For packages with leads on four sides, the footprint must be placed at a 45° angle to the transport direction of the printed-circuit board. The footprint must incorporate solder thieves downstream and at the side corners.

During placement and before soldering, the package must be fixed with a droplet of adhesive. The adhesive can be applied by screen printing, pin transfer or syringe dispensing. The package can be soldered after the adhesive is cured.

Typical dwell time is 4 seconds at 250 °C.

A mildly-activated flux will eliminate the need for removal of corrosive residues in most applications.

Manual soldering

Fix the component by first soldering two diagonally-opposite end leads. Use a low voltage (24 V or less) soldering iron applied to the flat part of the lead. Contact time must be limited to 10 seconds at up to 300 °C.

When using a dedicated tool, all other leads can be soldered in one operation within 2 to 5 seconds between 270 and 320 °C.

Very low dropout voltage/quiescent current 5 V voltage regulator

TDA3664

Suitability of surface mount IC packages for wave and reflow soldering methods

PACKAGE	SOLDERING METHOD	
	WAVE	REFLOW ⁽¹⁾
BGA, SQFP	not suitable	suitable
HLQFP, HSQFP, HSOP, HTSSOP, SMS	not suitable ⁽²⁾	suitable
PLCC ⁽³⁾ , SO, SOJ	suitable	suitable
LQFP, QFP, TQFP	not recommended ⁽³⁾⁽⁴⁾	suitable
SSOP, TSSOP, VSO	not recommended ⁽⁵⁾	suitable

Notes

- All surface mount (SMD) packages are moisture sensitive. Depending upon the moisture content, the maximum temperature (with respect to time) and body size of the package, there is a risk that internal or external package cracks may occur due to vaporization of the moisture in them (the so called popcorn effect). For details, refer to the Drypack information in the "Data Handbook IC26; Integrated Circuit Packages; Section: Packing Methods".
- These packages are not suitable for wave soldering as a solder joint between the printed-circuit board and heatsink (at bottom version) can not be achieved, and as solder may stick to the heatsink (on top version).
- If wave soldering is considered, then the package must be placed at a 45° angle to the solder wave direction. The package footprint must incorporate solder thieves downstream and at the side corners.
- Wave soldering is only suitable for LQFP, TQFP and QFP packages with a pitch (e) equal to or larger than 0.8 mm; it is definitely not suitable for packages with a pitch (e) equal to or smaller than 0.65 mm.
- Wave soldering is only suitable for SSOP and TSSOP packages with a pitch (e) equal to or larger than 0.65 mm; it is definitely not suitable for packages with a pitch (e) equal to or smaller than 0.5 mm.

DEFINITIONS

Data sheet status	
Objective specification	This data sheet contains target or goal specifications for product development.
Preliminary specification	This data sheet contains preliminary data; supplementary data may be published later.
Product specification	This data sheet contains final product specifications.
Limiting values	
Limiting values given are in accordance with the Absolute Maximum Rating System (IEC 134). Stress above one or more of the limiting values may cause permanent damage to the device. These are stress ratings only and operation of the device at these or at any other conditions above those given in the Characteristics sections of the specification is not implied. Exposure to limiting values for extended periods may affect device reliability.	
Application information	
Where application information is given, it is advisory and does not form part of the specification.	

LIFE SUPPORT APPLICATIONS

These products are not designed for use in life support appliances, devices, or systems where malfunction of these products can reasonably be expected to result in personal injury. Philips customers using or selling these products for use in such applications do so at their own risk and agree to fully indemnify Philips for any damages resulting from such improper use or sale.

Very low dropout voltage/quiescent
current 5 V voltage regulator

TDA3664

NOTES

EEPW 电子产品世界
.com.cn

Philips Semiconductors – a worldwide company

Argentina: see South America

Australia: 3 Figtree Drive, HOME BUSH, NSW 2140,
Tel. +61 2 9704 8141, Fax. +61 2 9704 8139

Austria: Computerstr. 6, A-1101 WIEN, P.O. Box 213,
Tel. +43 1 60 101 1248, Fax. +43 1 60 101 1210

Belarus: Hotel Minsk Business Center, Bld. 3, r. 1211, Volodarski Str. 6,
220050 MINSK, Tel. +375 172 20 0733, Fax. +375 172 20 0773

Belgium: see The Netherlands

Brazil: see South America

Bulgaria: Philips Bulgaria Ltd., Energoproject, 15th floor,
51 James Bourchier Blvd., 1407 SOFIA,
Tel. +359 2 68 9211, Fax. +359 2 68 9102

Canada: PHILIPS SEMICONDUCTORS/COMPONENTS,
Tel. +1 800 234 7381, Fax. +1 800 943 0087

China/Hong Kong: 501 Hong Kong Industrial Technology Centre,
72 Tat Chee Avenue, Kowloon Tong, HONG KONG,
Tel. +852 2319 7888, Fax. +852 2319 7700

Colombia: see South America

Czech Republic: see Austria

Denmark: Sydhavnsgade 23, 1780 COPENHAGEN V,
Tel. +45 33 29 3333, Fax. +45 33 29 3905

Finland: Sinikalliontie 3, FIN-02630 ESPOO,
Tel. +358 9 615 800, Fax. +358 9 6158 0920

France: 51 Rue Carnot, BP317, 92156 SURESNES Cedex,
Tel. +33 1 4099 6161, Fax. +33 1 4099 6427

Germany: Hammerbrookstraße 69, D-20097 HAMBURG,
Tel. +49 40 2353 60, Fax. +49 40 2353 6300

Hungary: see Austria

India: Philips INDIA Ltd, Band Box Building, 2nd floor,
254-D, Dr. Annie Besant Road, Worli, MUMBAI 400 025,
Tel. +91 22 493 8541, Fax. +91 22 493 0966

Indonesia: PT Philips Development Corporation, Semiconductors Division,
Gedung Philips, Jl. Buncit Raya Kav.99-100, JAKARTA 12510,
Tel. +62 21 794 0040 ext. 2501, Fax. +62 21 794 0080

Ireland: Newstead, Clonskeagh, DUBLIN 14,
Tel. +353 1 7640 000, Fax. +353 1 7640 200

Israel: RAPAC Electronics, 7 Kehilat Saloniki St, PO Box 18053,
TEL AVIV 61180, Tel. +972 3 645 0444, Fax. +972 3 649 1007

Italy: PHILIPS SEMICONDUCTORS, Via Casati, 23 - 20052 MONZA (MI),
Tel. +39 039 203 6838, Fax +39 039 203 6800

Japan: Philips Bldg 13-37, Kohnan 2-chome, Minato-ku,
TOKYO 108-8507, Tel. +81 3 3740 5130, Fax. +81 3 3740 5057

Korea: Philips House, 260-199 Itaewon-dong, Yongsan-ku, SEOUL,
Tel. +82 2 709 1412, Fax. +82 2 709 1415

Malaysia: No. 76 Jalan Universiti, 46200 PETALING JAYA, SELANGOR,
Tel. +60 3 750 5214, Fax. +60 3 757 4880

Mexico: 5900 Gateway East, Suite 200, EL PASO, TEXAS 79905,
Tel. +9-5 800 234 7381, Fax +9-5 800 943 0087

Middle East: see Italy

Netherlands: Postbus 90050, 5600 PB EINDHOVEN, Bldg. VB,
Tel. +31 40 27 82785, Fax. +31 40 27 88399

New Zealand: 2 Wagener Place, C.P.O. Box 1041, AUCKLAND,
Tel. +64 9 849 4160, Fax. +64 9 849 7811

Norway: Box 1, Manglerud 0612, OSLO,
Tel. +47 22 74 8000, Fax. +47 22 74 8341

Pakistan: see Singapore

Philippines: Philips Semiconductors Philippines Inc.,
106 Valero St. Salcedo Village, P.O. Box 2108 MCC, MAKATI,
Metro MANILA, Tel. +63 2 816 6380, Fax. +63 2 817 3474

Poland: Ul. Lukiska 10, PL 04-123 WARSZAWA,
Tel. +48 22 612 2831, Fax. +48 22 612 2327

Portugal: see Spain

Romania: see Italy

Russia: Philips Russia, Ul. Usatcheva 35A, 119048 MOSCOW,
Tel. +7 095 755 6918, Fax. +7 095 755 6919

Singapore: Lorong 1, Toa Payoh, SINGAPORE 319762,
Tel. +65 350 2538, Fax. +65 251 6500

Slovakia: see Austria

Slovenia: see Italy

South Africa: S.A. PHILIPS Pty Ltd., 195-215 Main Road Martindale,
2092 JOHANNESBURG, P.O. Box 58088 Newville 2114,
Tel. +27 11 471 5401, Fax. +27 11 471 5398

South America: Al. Vicente Pinzon, 173, 6th floor,
04547-130 SÃO PAULO, SP, Brazil,
Tel. +55 11 821 2333, Fax. +55 11 821 2382

Spain: Balmes 22, 08007 BARCELONA,
Tel. +34 93 301 6312, Fax. +34 93 301 4107

Sweden: Kottbygatan 7, Akalla, S-16485 STOCKHOLM,
Tel. +46 8 5985 2000, Fax. +46 8 5985 2745

Switzerland: Allmendstrasse 140, CH-8027 ZÜRICH,
Tel. +41 1 488 2741 Fax. +41 1 488 3263

Taiwan: Philips Semiconductors, 6F, No. 96, Chien Kuo N. Rd., Sec. 1,
TAIPEI, Taiwan Tel. +886 2 2134 2886, Fax. +886 2 2134 2874

Thailand: PHILIPS ELECTRONICS (THAILAND) Ltd.,
209/2 Sanpavuth-Bangna Road Prakanong, BANGKOK 10260,
Tel. +66 2 745 4090, Fax. +66 2 398 0793

Turkey: Yukari Dudullu, Org. San. Blg., 2.Cad. Nr. 28 81260 Umraniye,
ISTANBUL, Tel. +90 216 522 1500, Fax. +90 216 522 1813

Ukraine: PHILIPS UKRAINE, 4 Patrice Lumumba str., Building B, Floor 7,
252042 KIEV, Tel. +380 44 264 2776, Fax. +380 44 268 0461

United Kingdom: Philips Semiconductors Ltd., 276 Bath Road, Hayes,
MIDDLESEX UB3 5BX, Tel. +44 208 730 5000, Fax. +44 208 754 8421

United States: 811 East Arques Avenue, SUNNYVALE, CA 94088-3409,
Tel. +1 800 234 7381, Fax. +1 800 943 0087

Uruguay: see South America

Vietnam: see Singapore

Yugoslavia: PHILIPS, Trg N. Pasica 5/v, 11000 BEOGRAD,
Tel. +381 11 62 5344, Fax. +381 11 63 5777

For all other countries apply to: Philips Semiconductors,
International Marketing & Sales Communications, Building BE-p, P.O. Box 218,
5600 MD EINDHOVEN, The Netherlands, Fax. +31 40 27 24825

Internet: <http://www.semiconductors.philips.com>

© Philips Electronics N.V. 1999

SCA 67

All rights are reserved. Reproduction in whole or in part is prohibited without the prior written consent of the copyright owner.

The information presented in this document does not form part of any quotation or contract, is believed to be accurate and reliable and may be changed without notice. No liability will be accepted by the publisher for any consequence of its use. Publication thereof does not convey nor imply any license under patent- or other industrial or intellectual property rights.

Printed in The Netherlands

545002/02/pp16

Date of release: 1999 Sep 01

Document order number: 9397 750 06347

Let's make things better.

Philips
Semiconductors



PHILIPS