

# 5.00mm (0.196") PITCH CONNECTOR

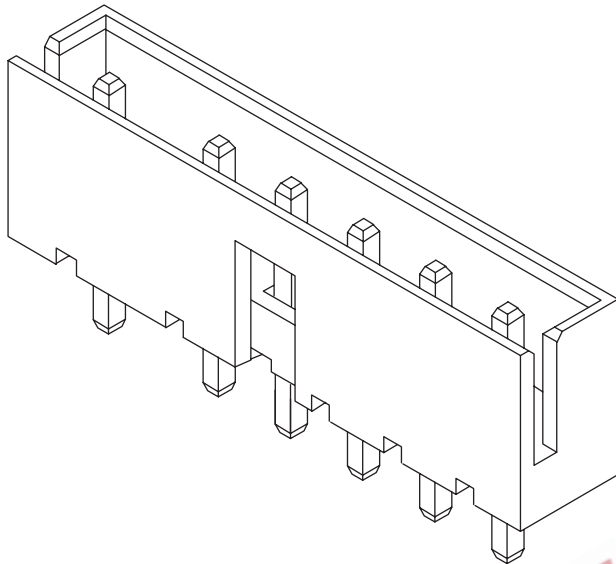


Wire-to-Board  
Wafer

YPW500 Series

DIP

Straight



## Material

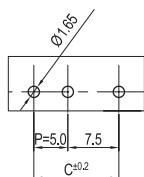
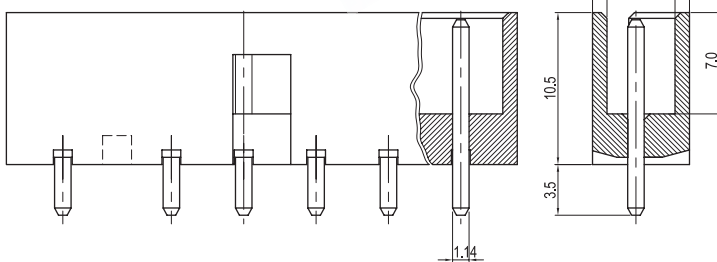
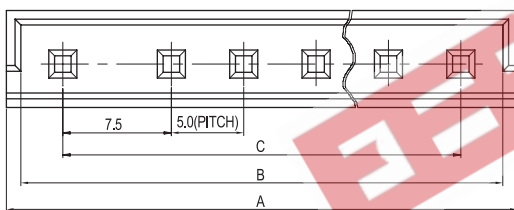
I/NO	DESCRIPTION	TITLE	MATERIAL
1	WAFER	YPW500	PA66, UL94 V Grade
2	PIN		Brass & Tin-Plated

## Available Pin

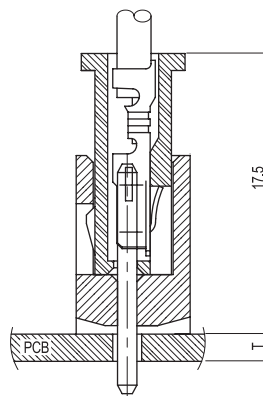
PARTS NO.	DIM. A	DIM. B	DIM. C
YPW500-02P	15.3	13.3	7.5
YPW500-03P	20.3	18.3	12.5
YPW500-04P	25.3	23.3	17.5
YPW500-05P	30.2	28.3	22.5
YPW500-06P	35.3	33.3	27.5

## Specification

ITEM	SPEC
Voltage Rating	AC/DC 250V
Current Rating	AC/DC 5A
Operating Temperature	-25°C~+85°C
Contact Resistance	30mΩ MAX
Withstanding Voltage	AC1500V/1min
Insulation Resistance	1000MΩ MIN
Applicable Wire	-
Applicable P.C.B	1.2~1.6mm
Applicable FPC/FFC	-
Solder Height	-
Crimp Tensile Strength	-
UL FILE NO	E108706



PCB LAYOUT



PCB ASS'Y