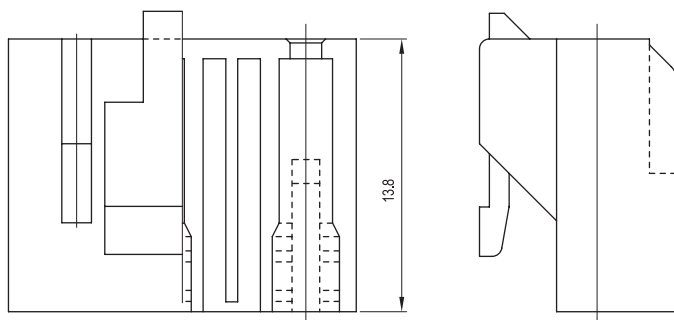
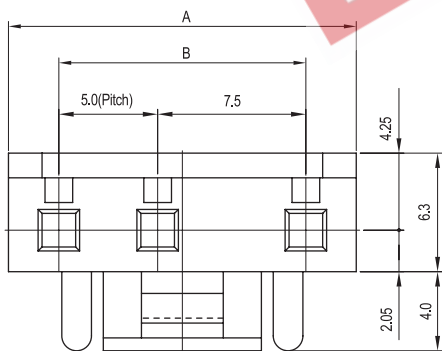
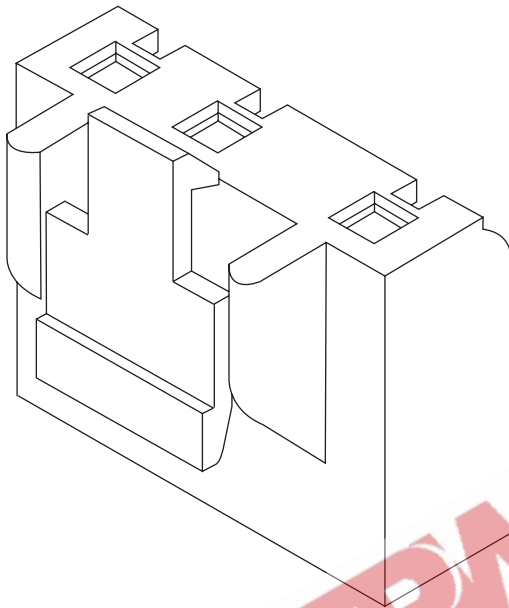


5.00mm (0.196") PITCH CONNECTOR

Wire-to-Board
Housing

YHL500 Series



Material

I/NO	DESCRIPTION	TITLE	MATERIAL
1	HOUSING	YHL500	PA66, UL94 V Grade

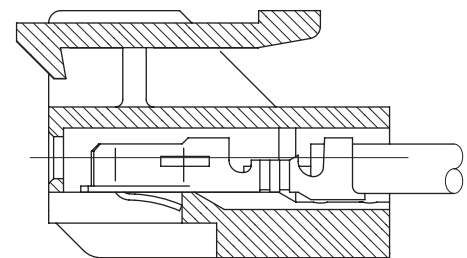
Available Pin

PARTS NO.	DIM. A	DIM. B
YHL500-02P	12.6	7.5
YHL500-03P	17.7	12.5
YHL500-04P	22.7	17.5
YHL500-05P	27.7	22.5
YHL500-06P	32.8	27.5

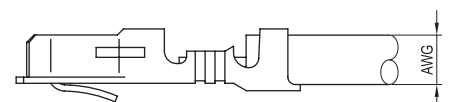
Specification

ITEM	SPEC
Voltage Rating	AC/DC 250V
Current Rating	AC/DC 5A
Operating Temperature	-25°C~+85°C
Contact Resistance	30mΩ MAX
Withstanding Voltage	AC1500V/1min
Insulation Resistance	1000MΩ MIN
Applicable Wire	AWG #22~#26
Applicable P.C.B	-
Applicable FPC/FFC	-
Solder Height	-
Crimp Tensile Strength	-
UL FILE NO	E108706

Application Terminal : YLT500 (212 page)
YLT500VM (213 page)



TERMINAL ASSEMBLY DRAWING



AWG : #22 ~ #26