

256K

X28VC256

32K x 8 Bit

5 Volt, Byte Alterable E<sup>2</sup>PROM

FEATURES

- Access Time: 45ns
- Simple Byte and Page Write
  - Single 5V Supply
  - No External High Voltages or Vpp Control Circuits
  - Self-Timed
  - No Erase Before Write
  - No Complex Programming Algorithms
  - No Overerase Problem
- Low Power CMOS:
  - Active: 80mA
  - Standby: 10mA
- Software Data Protection
  - Protects Data Against System Level Inadvertent Writes
- High Speed Page Write Capability
- Highly Reliable Direct Write™ Cell
  - Endurance: 100,000 Write Cycles
  - Data Retention: 100 Years
- Early End of Write Detection
  - DATA Polling
  - Toggle Bit Polling

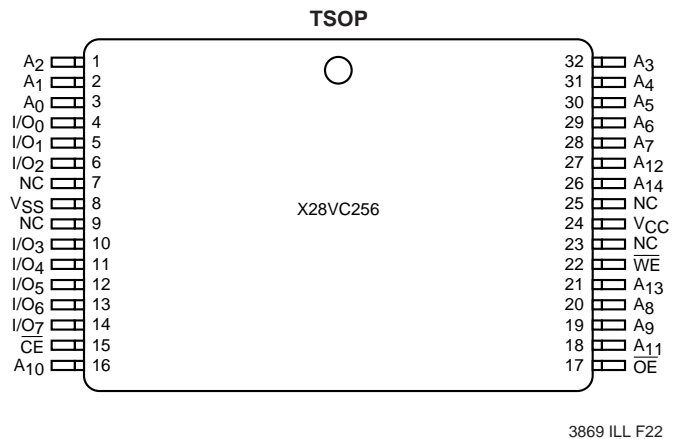
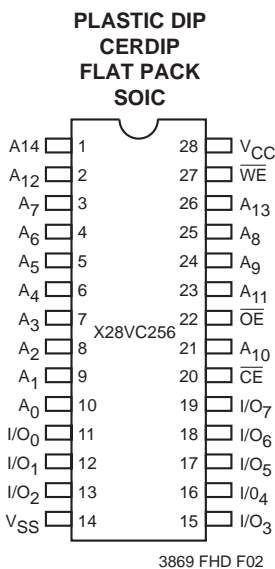
DESCRIPTION

The X28VC256 is a second generation high performance CMOS 32K x 8 E<sup>2</sup>PROM. It is fabricated with Xicor's proprietary, textured poly floating gate technology, providing a highly reliable 5 Volt only nonvolatile memory.

The X28VC256 supports a 128-byte page write operation, effectively providing a 24µs/byte write cycle and enabling the entire memory to be typically rewritten in less than 0.8 seconds. The X28VC256 also features DATA Polling and Toggle Bit Polling, two methods of providing early end of write detection. The X28VC256 also supports the JEDEC standard Software Data Protection feature for protecting against inadvertent writes during power-up and power-down.

Endurance for the X28VC256 is specified as a minimum 100,000 write cycles per byte and an inherent data retention of 100 years.

PIN CONFIGURATION



# X28VC256

## PIN DESCRIPTIONS

### Addresses ( $A_0$ – $A_{14}$ )

The Address inputs select an 8-bit memory location during a read or write operation.

### Chip Enable ( $\overline{CE}$ )

The Chip Enable input must be LOW to enable all read/write operations. When  $\overline{CE}$  is HIGH, power consumption is reduced.

### Output Enable ( $\overline{OE}$ )

The Output Enable input controls the data output buffers and is used to initiate read operations.

### Data In/Data Out ( $I/O_0$ – $I/O_7$ )

Data is written to or read from the X28VC256 through the I/O pins.

### Write Enable ( $\overline{WE}$ )

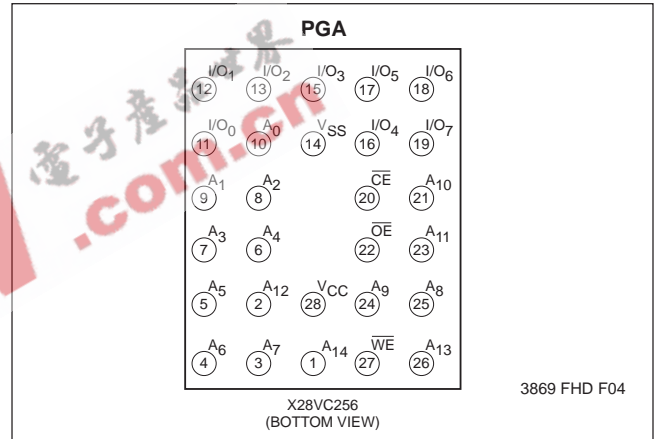
The Write Enable input controls the writing of data to the X28VC256.

## PIN NAMES

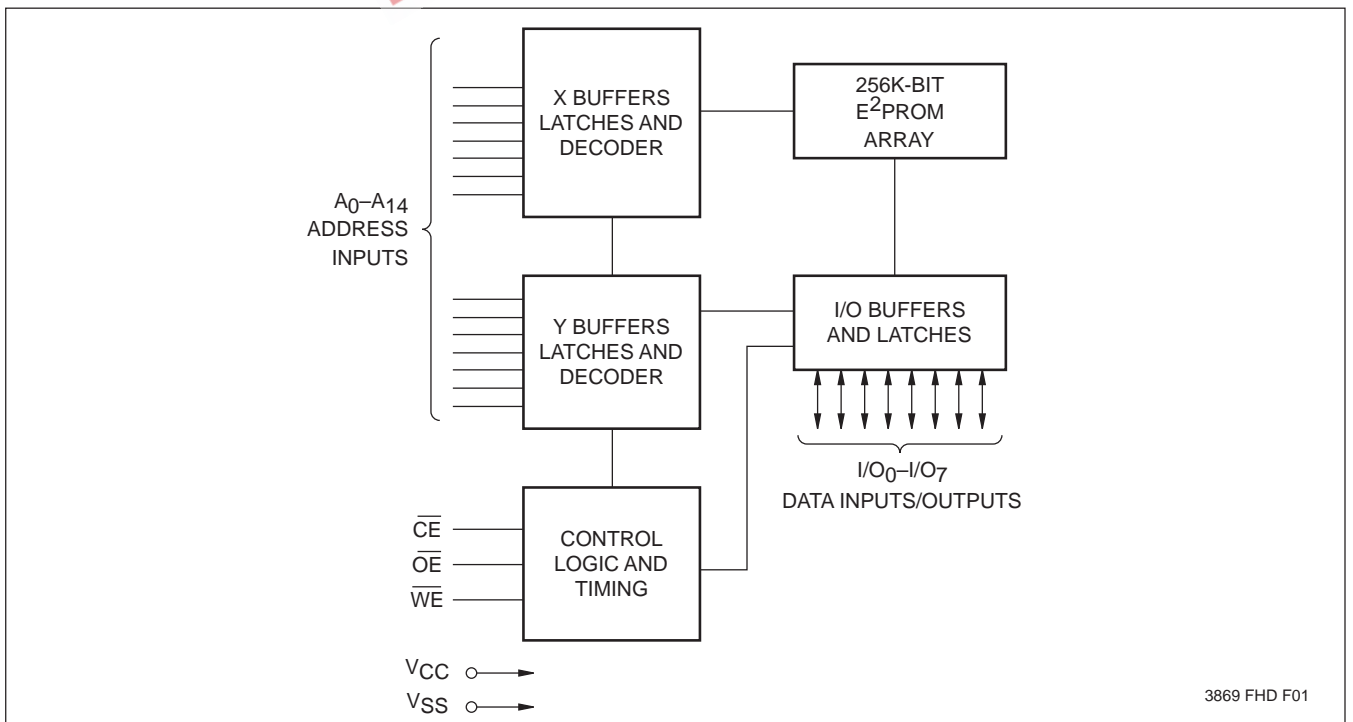
Symbol	Description
$A_0$ – $A_{14}$	Address Inputs
$I/O_0$ – $I/O_7$	Data Input/Output
$\overline{WE}$	Write Enable
$\overline{CE}$	Chip Enable
$\overline{OE}$	Output Enable
$V_{CC}$	+5V
$V_{SS}$	Ground
NC	No Connect

3869 PGM T01

## PIN CONFIGURATION



## FUNCTIONAL DIAGRAM



# X28VC256

## DEVICE OPERATION

### Read

Read operations are initiated by both  $\overline{OE}$  and  $\overline{CE}$  LOW. The read operation is terminated by either  $\overline{CE}$  or  $\overline{OE}$  returning HIGH. This two line control architecture eliminates bus contention in a system environment. The data bus will be in a high impedance state when either  $\overline{OE}$  or  $\overline{CE}$  is HIGH.

### Write

Write operations are initiated when both  $\overline{CE}$  and  $\overline{WE}$  are LOW and  $\overline{OE}$  is HIGH. The X28VC256 supports both a  $\overline{CE}$  and  $\overline{WE}$  controlled write cycle. That is, the address is latched by the falling edge of either  $\overline{CE}$  or  $\overline{WE}$ , whichever occurs last. Similarly, the data is latched internally by the rising edge of either  $\overline{CE}$  or  $\overline{WE}$ , whichever occurs first. A byte write operation, once initiated, will automatically continue to completion, typically within 3ms.

### Page Write Operation

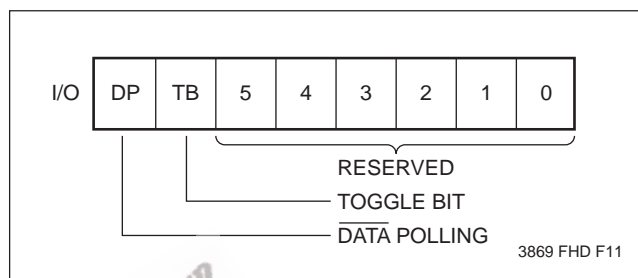
The page write feature of the X28VC256 allows the entire memory to be written in typically 0.8 seconds. Page write allows up to one hundred twenty-eight bytes of data to be consecutively written to the X28VC256 prior to the commencement of the internal programming cycle. The host can fetch data from another device within the system during a page write operation (change the source address), but the page address ( $A_7$  through  $A_{14}$ ) for each subsequent valid write cycle to the part during this operation must be the same as the initial page address.

The page write mode can be initiated during any write operation. Following the initial byte write cycle, the host can write an additional one to one hundred twenty-seven bytes in the same manner as the first byte was written. Each successive byte load cycle, started by the  $\overline{WE}$  HIGH to LOW transition, must begin within 100 $\mu$ s of the falling edge of the preceding  $\overline{WE}$ . If a subsequent  $\overline{WE}$  HIGH to LOW transition is not detected within 100 $\mu$ s, the internal automatic programming cycle will commence. There is no page write window limitation. Effectively the page write window is infinitely wide, so long as the host continues to access the device within the byte load cycle time of 100 $\mu$ s.

### Write Operation Status Bits

The X28VC256 provides the user two write operation status bits. These can be used to optimize a system write cycle time. The status bits are mapped onto the I/O bus as shown in Figure 1.

Figure 1. Status Bit Assignment



### $\overline{DATA}$ Polling ( $I/O_7$ )

The X28VC256 features  $\overline{DATA}$  Polling as a method to indicate to the host system that the byte write or page write cycle has completed.  $\overline{DATA}$  Polling allows a simple bit test operation to determine the status of the X28VC256, eliminating additional interrupt inputs or external hardware. During the internal programming cycle, any attempt to read the last byte written will produce the complement of that data on  $I/O_7$  (i.e., write data = 0xxx xxxx, read data = 1xxx xxxx). Once the programming cycle is complete,  $I/O_7$  will reflect true data.

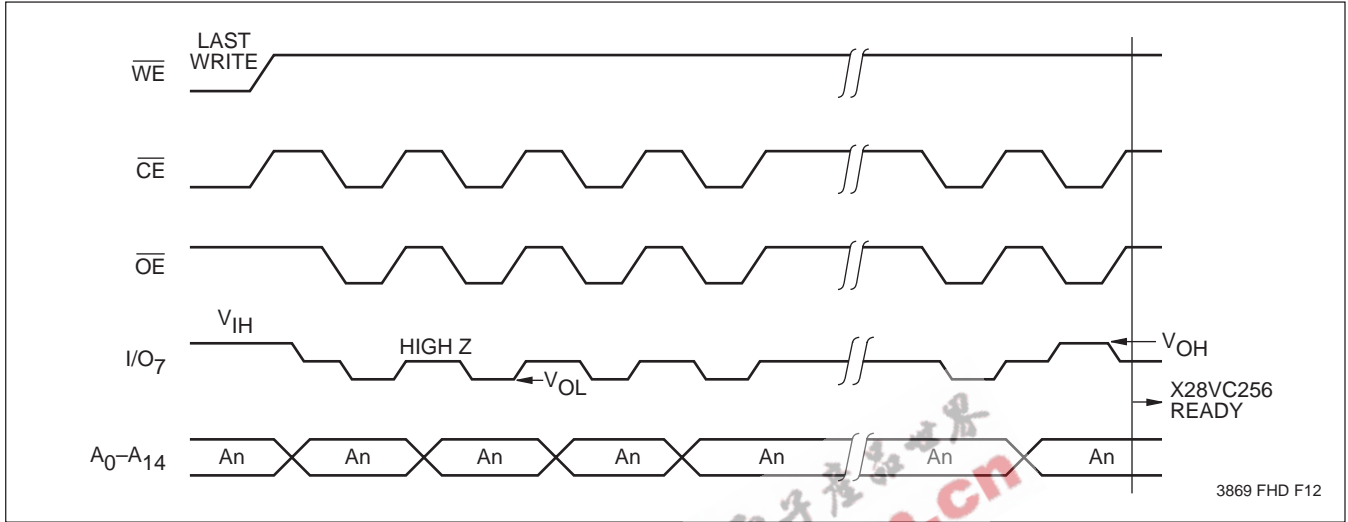
### Toggle Bit ( $I/O_6$ )

The X28VC256 also provides another method for determining when the internal write cycle is complete. During the internal programming cycle  $I/O_6$  will toggle from HIGH to LOW and LOW to HIGH on subsequent attempts to read the device. When the internal cycle is complete the toggling will cease and the device will be accessible for additional read and write operations.

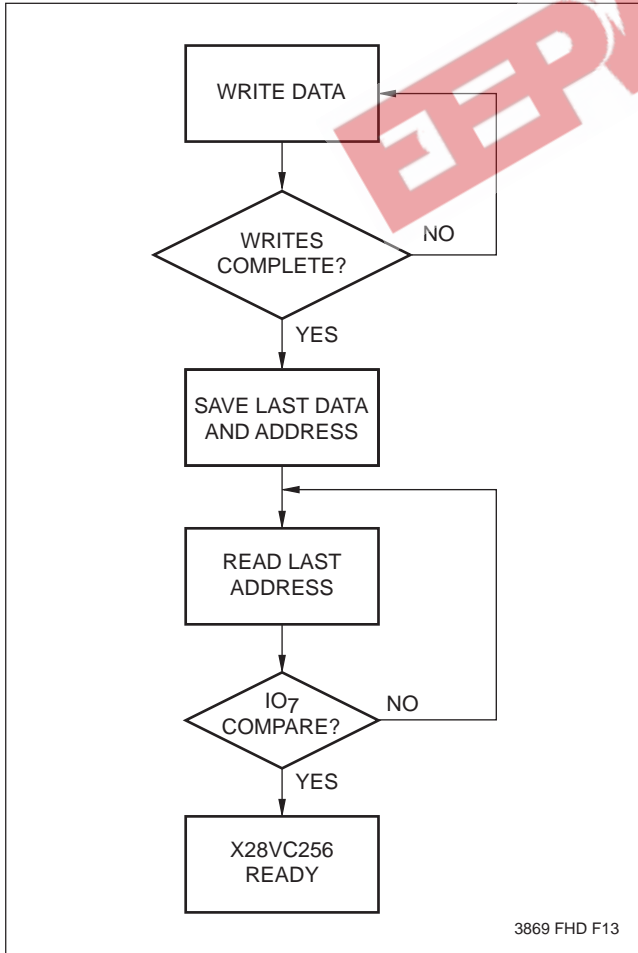
# X28VC256

## $\overline{\text{DATA}}$ POLLING I/O<sub>7</sub>

**Figure 2.  $\overline{\text{DATA}}$  Polling Bus Sequence**



**Figure 3.  $\overline{\text{DATA}}$  Polling Software Flow**



DATA Polling can effectively halve the time for writing to the X28VC256. The timing diagram in Figure 2 illustrates the sequence of events on the bus. The software flow diagram in Figure 3 illustrates one method of implementing the routine.

# X28VC256

## THE TOGGLE BIT I/O<sub>6</sub>

Figure 4. Toggle Bit Bus Sequence

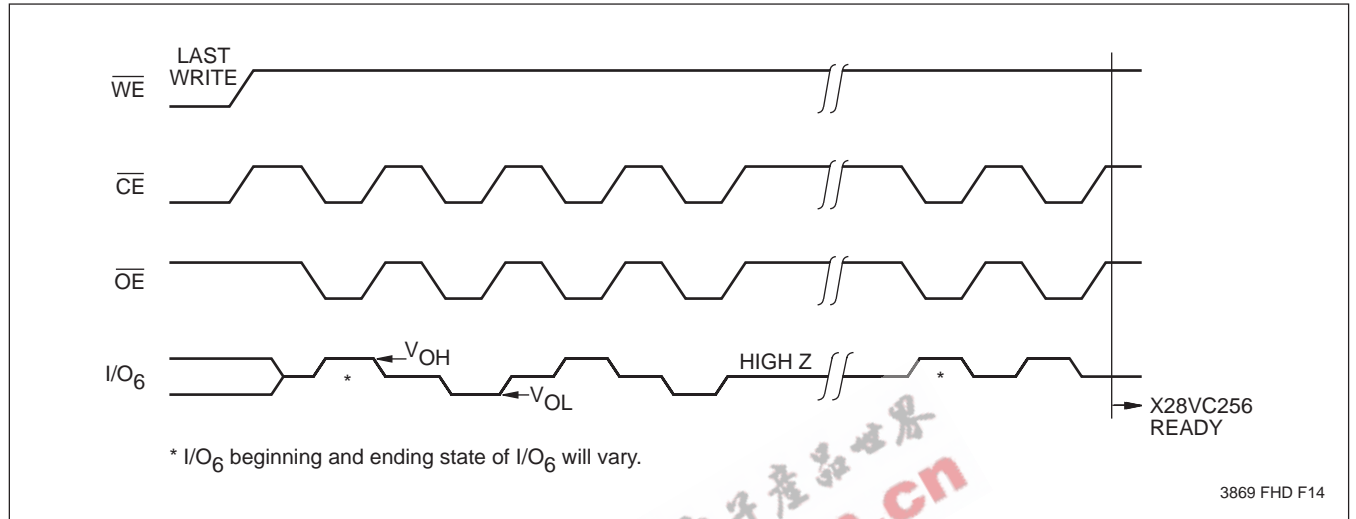


Figure 5. Toggle Bit Software Flow



The Toggle Bit can eliminate the software housekeeping chore of saving and fetching the last address and data written to a device in order to implement DATA Polling. This can be especially helpful in an array comprised of multiple X28VC256 memories that is frequently updated. The timing diagram in Figure 4 illustrates the sequence of events on the bus. The software flow diagram in Figure 5 illustrates a method for polling the Toggle Bit.

## X28VC256

---

### HARDWARE DATA PROTECTION

The X28VC256 provides two hardware features that protect nonvolatile data from inadvertent writes.

- Default  $V_{CC}$  Sense—All write functions are inhibited when  $V_{CC}$  is  $\leq 3.5V$  typically.
- Write Inhibit—Holding either  $\overline{OE}$  LOW,  $\overline{WE}$  HIGH, or  $\overline{CE}$  HIGH will prevent an inadvertent write cycle during power-up and power-down, maintaining data integrity.

### SOFTWARE DATA PROTECTION

The X28VC256 offers a software controlled data protection feature. The X28VC256 is shipped from Xicor with the software data protection NOT ENABLED; that is, the device will be in the standard operating mode. In this mode data should be protected during power-up/down operations through the use of external circuits. The host would then have open read and write access of the device once  $V_{CC}$  was stable.

The X28VC256 can be automatically protected during power-up and power-down without the need for external

circuits by employing the software data protection feature. The internal software data protection circuit is enabled after the first write operation utilizing the software algorithm. This circuit is nonvolatile and will remain set for the life of the device unless the reset command is issued.

Once the software protection is enabled, the X28VC256 is also protected from inadvertent and accidental writes in the powered-up state. That is, the software algorithm must be issued prior to writing additional data to the device.

### SOFTWARE ALGORITHM

Selecting the software data protection mode requires the host system to precede data write operations by a series of three write operations to three specific addresses. Refer to Figure 6 and 7 for the sequence. The three-byte sequence opens the page write window enabling the host to write from one to one hundred twenty-eight bytes of data. Once the page load cycle has been completed, the device will automatically be returned to the data protected state.

# X28VC256

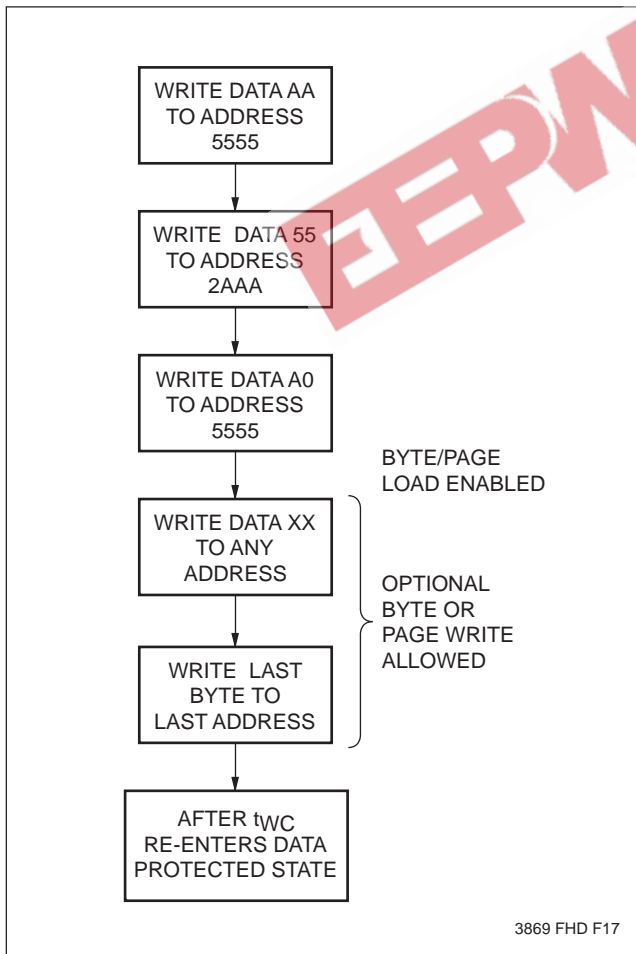
## SOFTWARE DATA PROTECTION

Figure 6. Timing Sequence—Byte or Page Write



3869 FHD F16

Figure 7. Write Sequence for Software Data Protection



3869 FHD F17

Regardless of whether the device has previously been protected or not, once the software data protection algorithm is used and data has been written, the X28VC256 will automatically disable further writes unless another command is issued to cancel it. If no further commands are issued the X28VC256 will be write protected during power-down and after any subsequent power-up.

*Note:* Once initiated, the sequence of write operations should not be interrupted.

# X28VC256

## RESETTING SOFTWARE DATA PROTECTION

Figure 8. Reset Software Data Protection Timing Sequence



Figure 9. Write Sequence for Resetting Software Data Protection



In the event the user wants to deactivate the software data protection feature for testing or reprogramming in an E<sup>2</sup>PROM programmer, the following six step algorithm will reset the internal protection circuit. After  $t_{WC}$ , the X28VC256 will be in standard operating mode.

*Note:* Once initiated, the sequence of write operations should not be interrupted.



## X28VC256

---

### SYSTEM CONSIDERATIONS

Because the X28VC256 is frequently used in large memory arrays it is provided with a two line control architecture for both read and write operations. Proper usage can provide the lowest possible power dissipation and eliminate the possibility of contention where multiple I/O pins share the same bus.

To gain the most benefit it is recommended that  $\overline{CE}$  be decoded from the address bus and be used as the primary device selection input. Both  $\overline{OE}$  and  $\overline{WE}$  would then be common among all devices in the array. For a read operation this assures that all deselected devices are in their standby mode and that only the selected device(s) is outputting data on the bus.

Because the X28VC256 has two power modes, standby and active, proper decoupling of the memory array is of

prime concern. Enabling  $\overline{CE}$  will cause transient current spikes. The magnitude of these spikes is dependent on the output capacitive loading of the I/Os. Therefore, the larger the array sharing a common bus, the larger the transient spikes. The voltage peaks associated with the current transients can be suppressed by the proper selection and placement of decoupling capacitors. As a minimum, it is recommended that a 0.1 $\mu$ F high frequency ceramic capacitor be used between  $V_{CC}$  and  $V_{SS}$  at each device. Depending on the size of the array, the value of the capacitor may have to be larger.

In addition, it is recommended that a 4.7 $\mu$ F electrolytic bulk capacitor be placed between  $V_{CC}$  and  $V_{SS}$  for each eight devices employed in the array. This bulk capacitor is employed to overcome the voltage droop caused by the inductive effects of the PC board traces.

EEPW 电子产品世界 .com.cn

# X28VC256

## ABSOLUTE MAXIMUM RATINGS\*

Temperature under Bias	
X28VC256 .....	-10°C to +85°C
X28VC256I, X28VC256M .....	-65°C to +135°C
Storage Temperature .....	-65°C to +150°C
Voltage on any Pin with	
Respect to V <sub>SS</sub> .....	-1V to +7V
D.C. Output Current .....	10mA
Lead Temperature (Soldering, 10 seconds).....	300°C

## \*COMMENT

Stresses above those listed under “Absolute Maximum Ratings” may cause permanent damage to the device. This is a stress rating only and the functional operation of the device at these or any other conditions above those indicated in the operational sections of this specification is not implied. Exposure to absolute maximum rating conditions for extended periods may affect device reliability.

## RECOMMENDED OPERATING CONDITIONS

Temperature	Min.	Max.
Commercial	0°C	+70°C
Industrial	-40°C	+85°C
Military	-55°C	+125°C

3869 PGM T02.1

Supply Voltage	Limits
X28VC256	5V ±10%

3869 PGM T03.1

## D.C. OPERATING CHARACTERISTICS (Over recommended operating conditions unless otherwise specified.)

Symbol	Parameter	Limits			Units	Test Conditions
		Min.	Typ.(1)	Max.		
I <sub>CC</sub>	V <sub>CC</sub> Active Current		30	80	mA	$\overline{CE} = \overline{OE} = V_{IL}, \overline{WE} = V_{IH}$ , All I/O's = Open, Address Inputs = 0.4V/2.4V Levels @ f = 10MHz
I <sub>SB</sub>	V <sub>CC</sub> Standby Current		10	25	mA	$\overline{CE} = V_{IH}, \overline{OE} = V_{IL}$ , All I/O's = Open, Other Inputs = V <sub>IH</sub>
I <sub>LI</sub>	Input Leakage Current			10	μA	V <sub>IN</sub> = V <sub>SS</sub> to V <sub>CC</sub>
I <sub>LO</sub>	Output Leakage Current			10	μA	V <sub>OUT</sub> = V <sub>SS</sub> to V <sub>CC</sub> , $\overline{CE} = V_{IH}$
V <sub>IL</sub> (2)	Input LOW Voltage	-1		0.8	V	
V <sub>IH</sub> (2)	Input HIGH Voltage	2		V <sub>CC</sub> + 1	V	
V <sub>OL</sub>	Output LOW Voltage			0.4	V	I <sub>OL</sub> = 6mA
V <sub>OH</sub>	Output HIGH Voltage	2.4			V	I <sub>OH</sub> = -4mA

3869 PGM T04.2

- Notes:** (1) Typical values are for T<sub>A</sub> = 25°C and nominal supply voltage.  
(2) V<sub>IL</sub> min. and V<sub>IH</sub> max. are for reference only and are not tested.

# X28VC256

## POWER-UP TIMING

Symbol	Parameter	Max.	Units
t <sub>PUR</sub> (3)	Power-Up to Read	100	μs
t <sub>PUW</sub> (3)	Power-Up to Write	5	ms

3869 PGM T05

**CAPACITANCE** T<sub>A</sub> = +25°C, f = 1MHz, V<sub>CC</sub> = 5V.

Symbol	Test	Max.	Units	Conditions
C <sub>I/O</sub> (3)	Input/Output Capacitance	10	pF	V <sub>I/O</sub> = 0V
C <sub>IN</sub> (3)	Input Capacitance	6	pF	V <sub>IN</sub> = 0V

3869 PGM T06.1

## ENDURANCE AND DATA RETENTION

Parameter	Min.	Max.	Units
Endurance	100,000		Cycles
Data Retention	100		Years

3869 PGM T07.3

## A.C. CONDITIONS OF TEST

Input Pulse Levels	0V to 3V
Input Rise and Fall Times	5ns
Input and Output Timing Levels	1.5V

3869 PGM T08.1

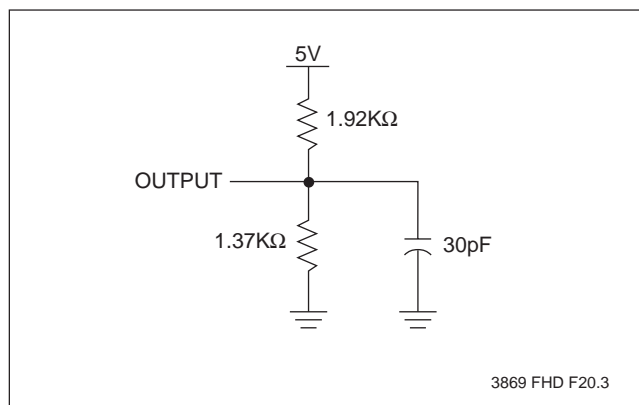
## MODE SELECTION

CE	OE	WE	Mode	I/O	Power
L	L	H	Read	DOUT	Active
L	H	L	Write	DIN	Active
H	X	X	Standby and Write Inhibit	High Z	Standby
X	L	X	Write Inhibit	—	—
X	X	H	Write Inhibit	—	—

3869 PGM T09

**Note:** (3) This parameter is periodically sampled and not 100% tested.

## EQUIVALENT A.C. LOAD CIRCUIT



## SYMBOL TABLE

WAVEFORM	INPUTS	OUTPUTS
	Must be steady	Will be steady
	May change from LOW to HIGH	Will change from LOW to HIGH
	May change from HIGH to LOW	Will change from HIGH to LOW
	Don't Care: Changes Allowed	Changing: State Not Known
	N/A	Center Line is High Impedance

# X28VC256

## A.C. CHARACTERISTICS (Over the recommended operating conditions, unless otherwise specified.)

### Read Cycle Limits

Symbol	Parameter	X28VC256-45 -40°C to 85°C		X28VC256-55 -55°C to 125°C		X28VC256-70 -55°C to 125°C		X28VC256-90 -55°C to 125°C		Units
		Min.	Max.	Min.	Max.	Min.	Max.	Min.	Max.	
$t_{RC}$	Read Cycle Time	45		55		70		90		ns
$t_{CE}$	Chip Enable Access Time		45		55		70		90	ns
$t_{AA}$	Address Access Time		45		55		70		90	ns
$t_{OE}$	Output Enable Access Time		30		30		35		40	ns
$t_{LZ}^{(4)}$	$\overline{CE}$ LOW to Active Output	0		0		0		0		ns
$t_{OLZ}^{(4)}$	$\overline{OE}$ LOW to Active Output	0		0		0		0		ns
$t_{HZ}^{(4)}$	$\overline{CE}$ HIGH to High Z Output		30		30		35		40	ns
$t_{OHZ}^{(4)}$	$\overline{OE}$ HIGH to High Z Output		30		30		35		40	ns
$t_{OH}$	Output Hold From Address Change	0		0		0		0		ns

3869 PGM T10.1

### Read Cycle



3869 FHD F05

**Notes:** (4)  $t_{LZ}$  min.,  $t_{HZ}$ ,  $t_{OLZ}$  min. and  $t_{OHZ}$  are periodically sampled and not 100% tested,  $t_{HZ}$  and  $t_{OHZ}$  are measured, with  $CL = 5pF$ , from the point when  $\overline{CE}$ ,  $\overline{OE}$  return HIGH (whichever occurs first) to the time when the outputs are no longer driven.

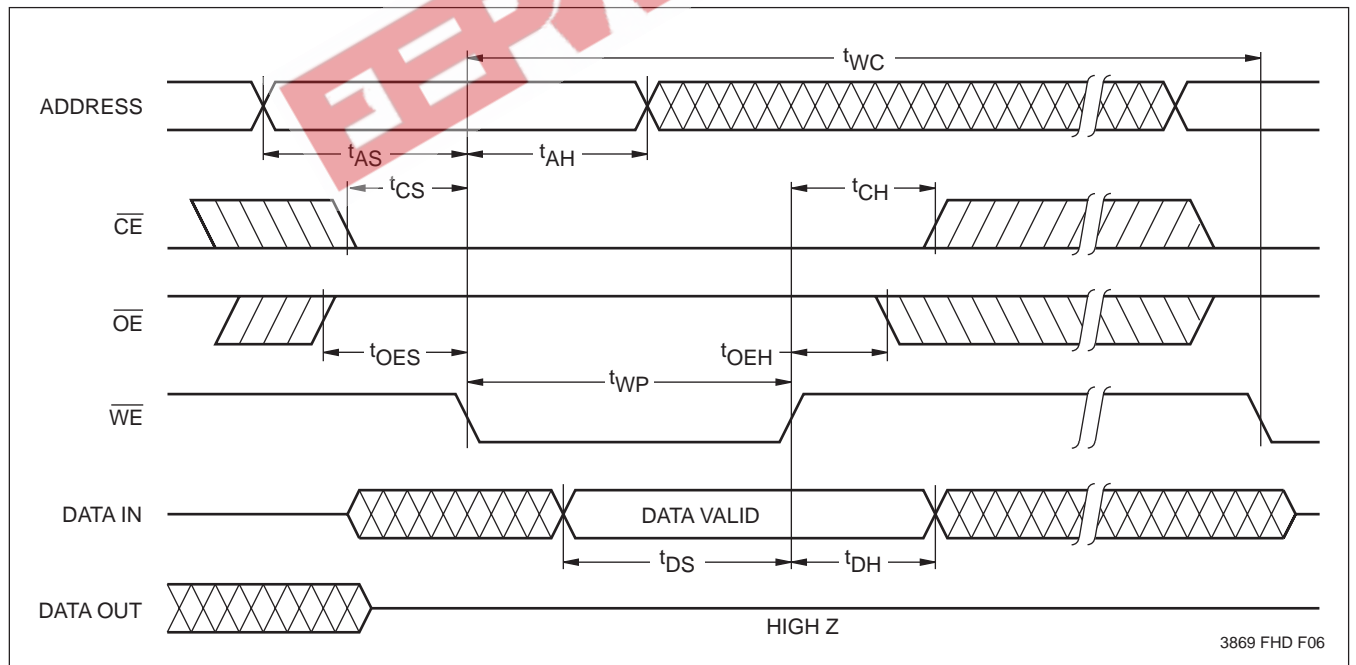
# X28VC256

## Write Cycle Limits

Symbol	Parameter	Min.	Typ.(5)	Max.	Units
$t_{WC}^{(6)}$	Write Cycle Time		3	5	ms
$t_{AS}$	Address Setup Time	0			ns
$t_{AH}$	Address Hold Time	50			ns
$t_{CS}$	Write Setup Time	0			ns
$t_{CH}$	Write Hold Time	0			ns
$t_{CW}$	$\overline{CE}$ Pulse Width	50			ns
$t_{OES}$	$\overline{OE}$ HIGH Setup Time	0			ns
$t_{OEH}$	$\overline{OE}$ HIGH Hold Time	0			ns
$t_{WP}$	$\overline{WE}$ Pulse Width	50			ns
$t_{WPH}^{(7)}$	$\overline{WE}$ HIGH Recovery (page write only)	50			ns
$t_{DV}$	Data Valid			1	$\mu$ s
$t_{DS}$	Data Setup	50			ns
$t_{DH}$	Data Hold	0			ns
$t_{DW}^{(7)}$	Delay to Next Write after Polling is True	10			$\mu$ s
$t_{BLC}$	Byte Load Cycle	0.150		100	$\mu$ s

3869 PGM T11.2

## $\overline{WE}$ Controlled Write Cycle



3869 FHD F06

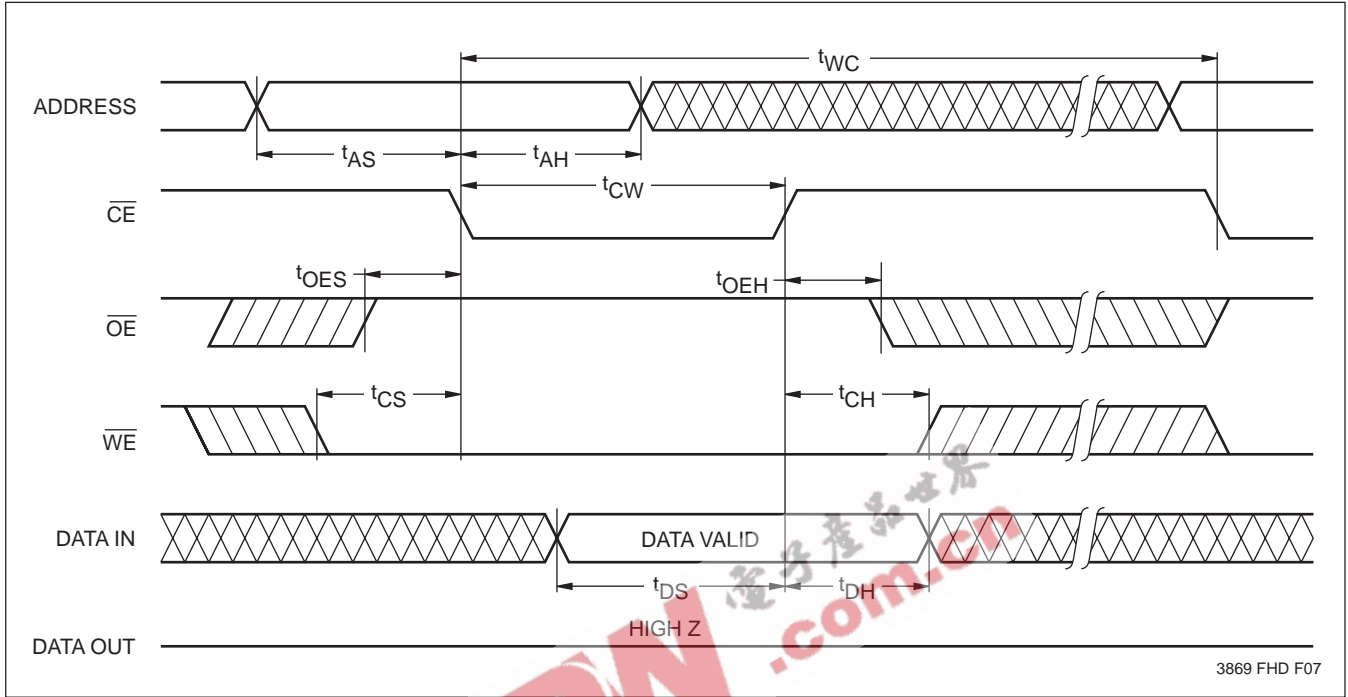
**Notes:** (5) Typical values are for  $T_A = 25^\circ\text{C}$  and nominal supply voltage.

(6)  $t_{WC}$  is the minimum cycle time to be allowed from the system perspective unless polling techniques are used. It is the maximum time the device requires to automatically complete the internal write operation.

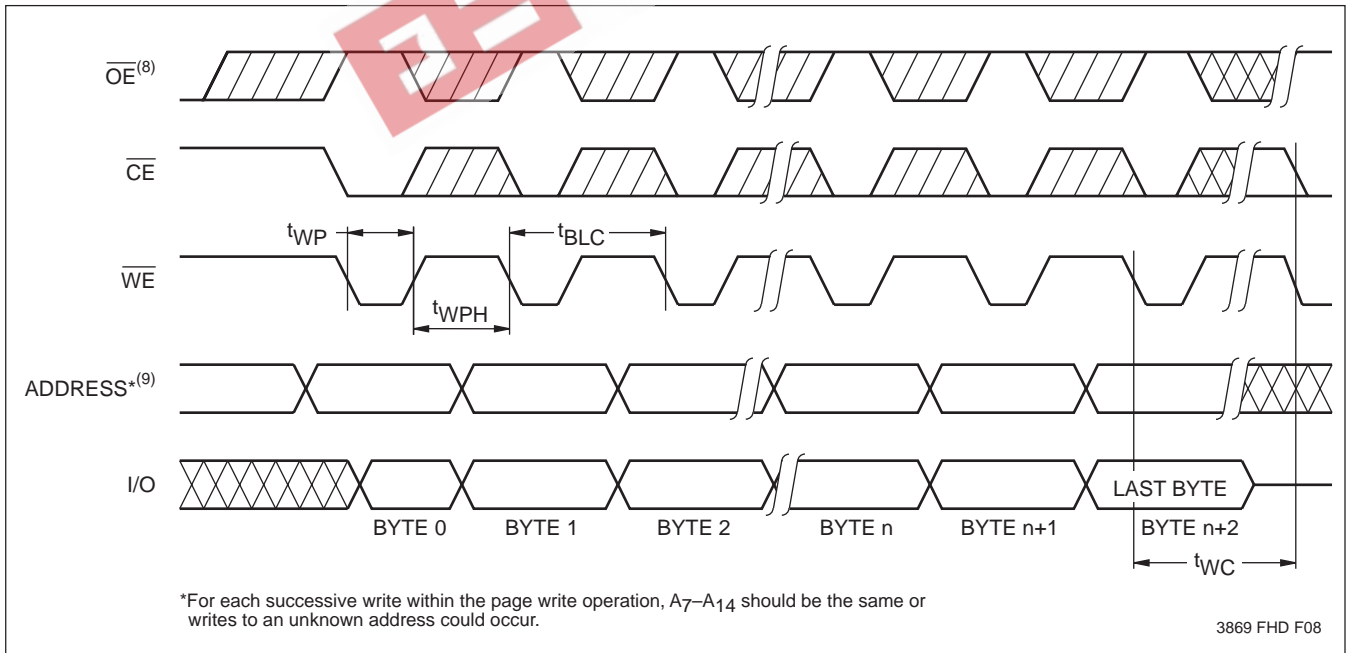
(7)  $t_{WPH}$  and  $t_{DW}$  are periodically sampled and not 100% tested.

# X28VC256

## $\overline{CE}$ Controlled Write Cycle



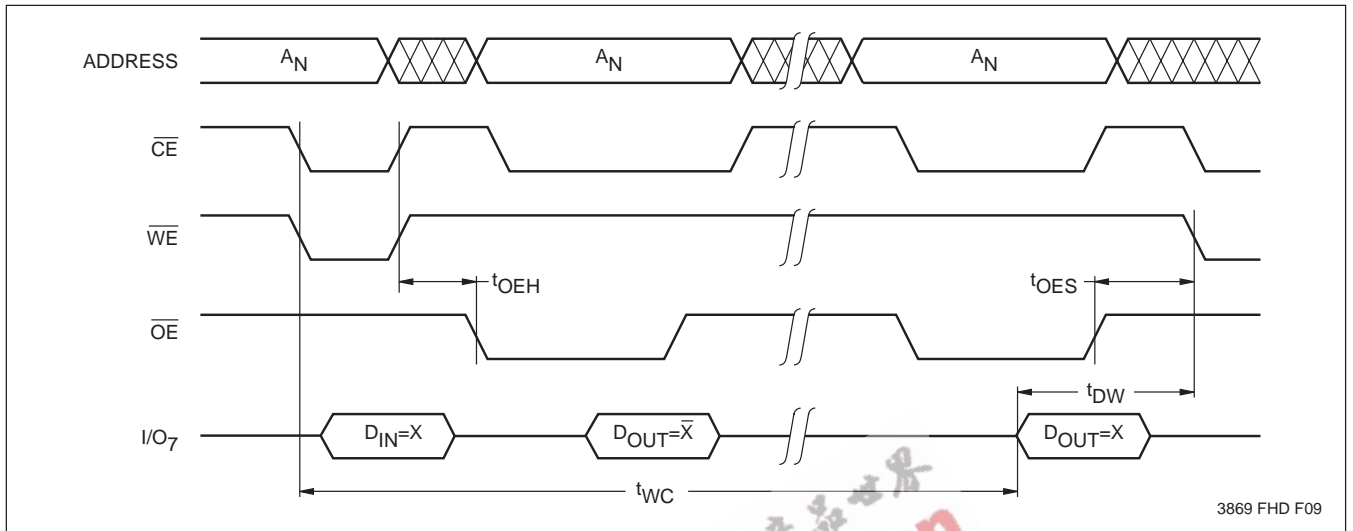
## Page Write Cycle



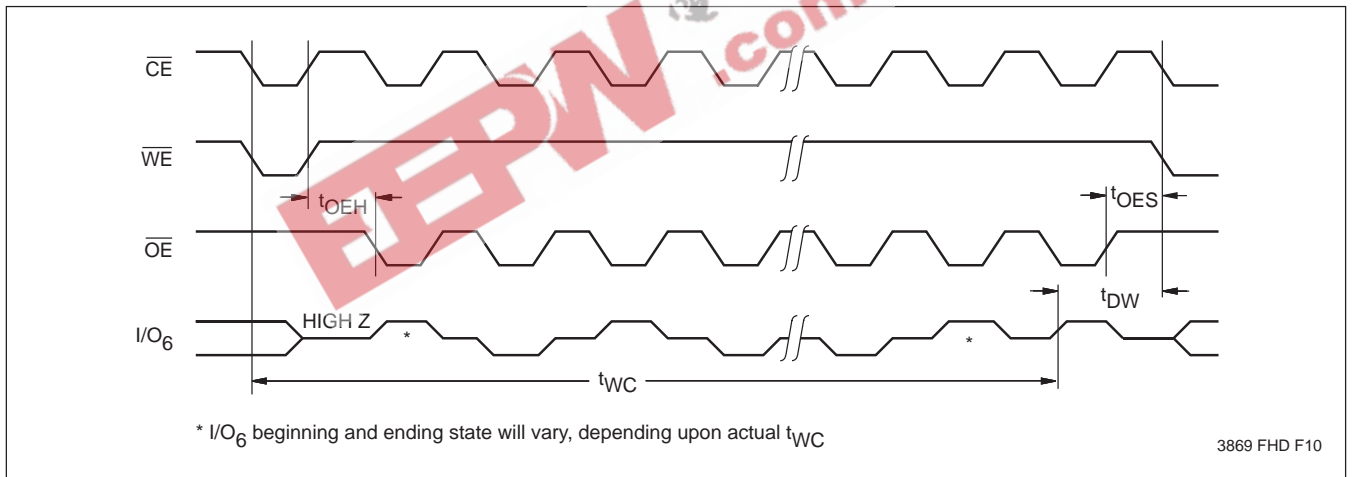
- Notes:**
- (8) Between successive byte writes within a page write operation,  $\overline{OE}$  can be strobed LOW: e.g. this can be done with  $\overline{CE}$  and  $\overline{WE}$  HIGH to fetch data from another memory device within the system for the next write; or with  $\overline{WE}$  HIGH and  $\overline{CE}$  LOW effectively performing a polling operation.
  - (9) The timings shown above are unique to page write operations. Individual byte load operations within the page write must conform to either the  $\overline{CE}$  or  $\overline{WE}$  controlled write cycle timing.

# X28VC256

**DATA Polling Timing Diagram<sup>(10)</sup>**



**Toggle Bit Timing Diagram<sup>(10)</sup>**



**Note:** (10) Polling operations are by definition read cycles and are therefore subject to read cycle timings.

# X28VC256

## PACKAGING INFORMATION

### 28-LEAD PLASTIC DUAL IN-LINE PACKAGE TYPE P



3926 FHD F04

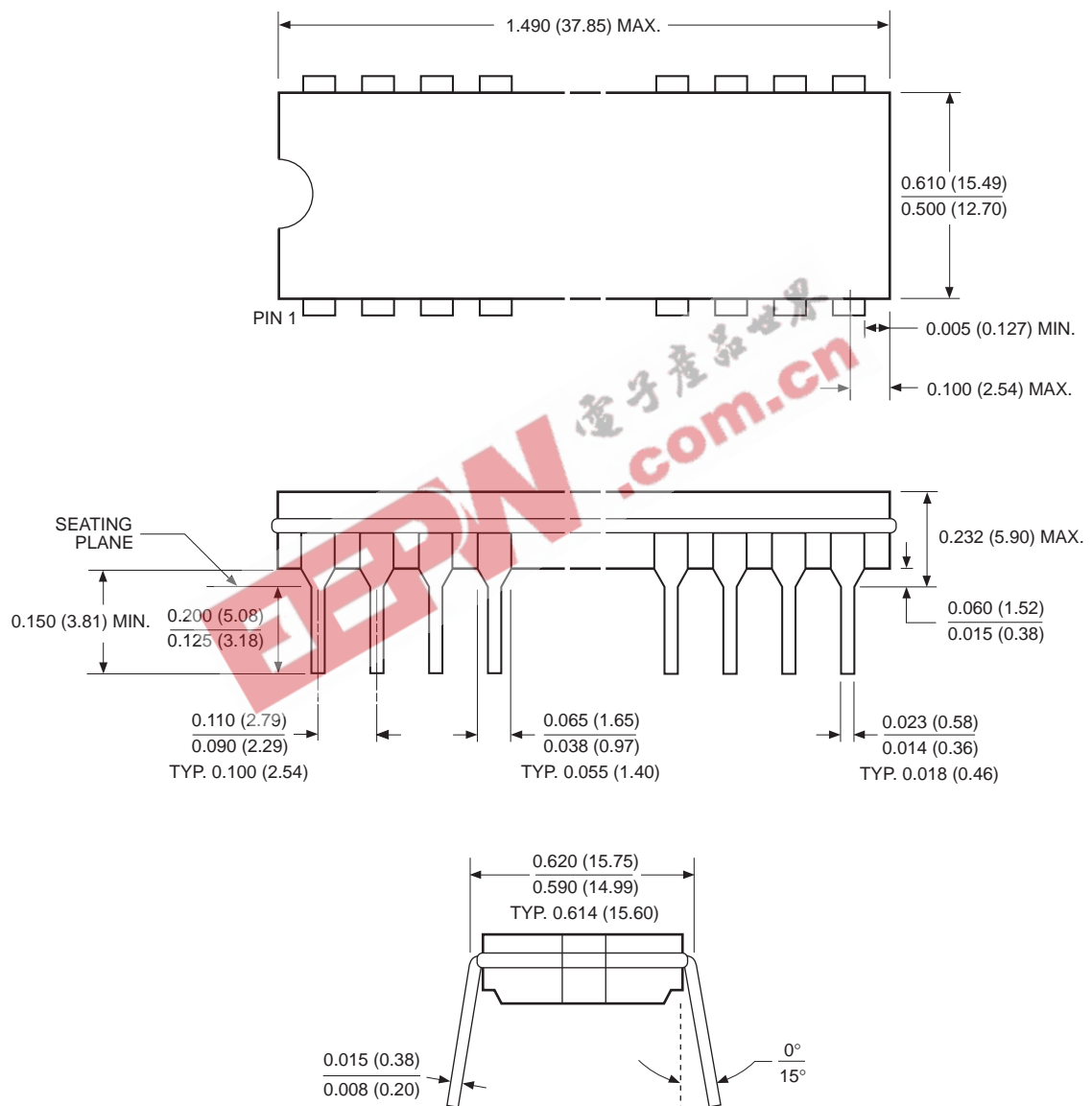
NOTE: ALL DIMENSIONS IN INCHES (IN PARENTHESES IN MILLIMETERS)



# X28VC256

## PACKAGING INFORMATION

### 28-LEAD HERMETIC DUAL IN-LINE PACKAGE TYPE D



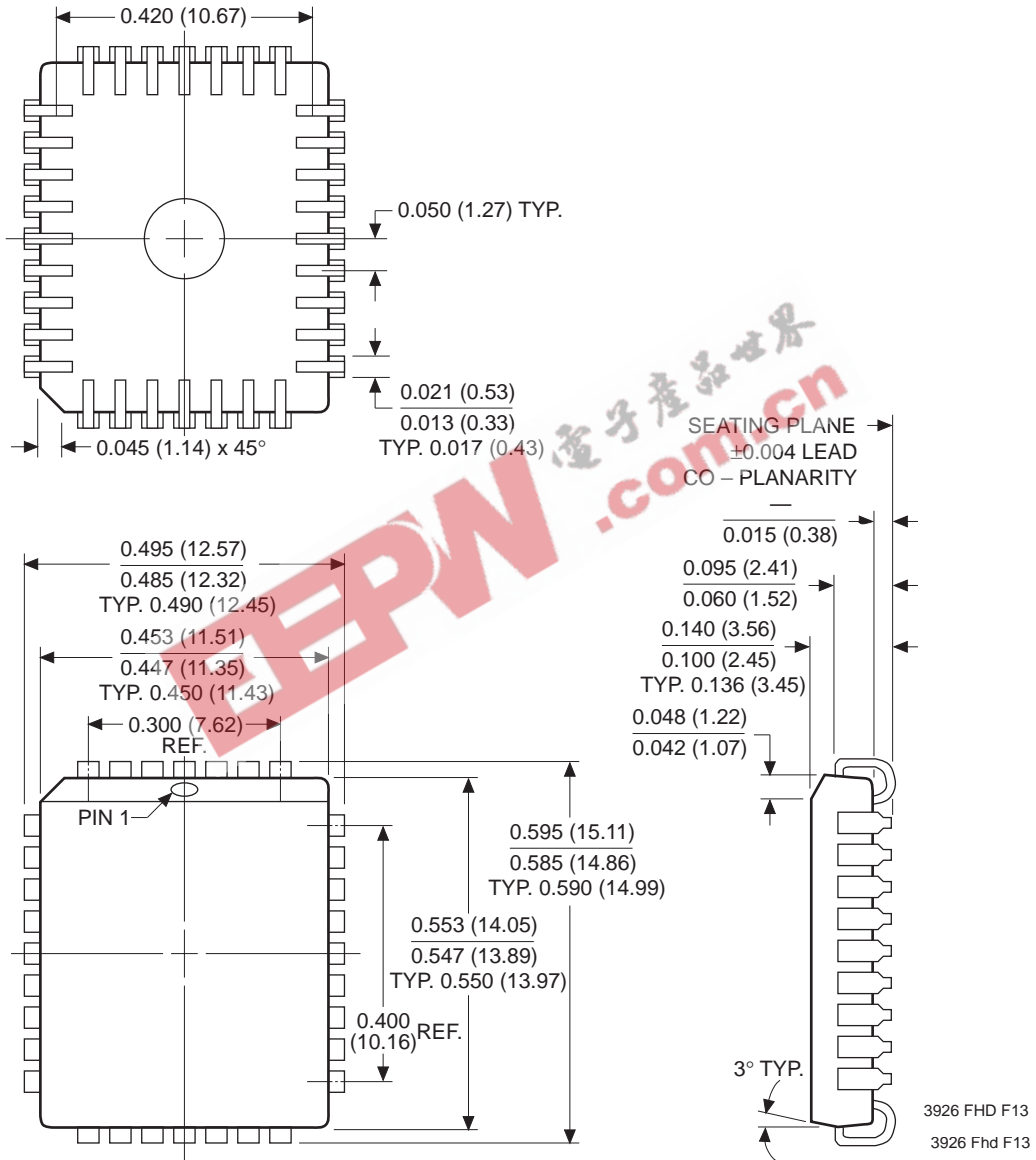
NOTE: ALL DIMENSIONS IN INCHES (IN PARENTHESES IN MILLIMETERS)

3926 FHD F08

# X28VC256

## PACKAGING INFORMATION

### 32-LEAD PLASTIC LEADED CHIP CARRIER PACKAGE TYPE J



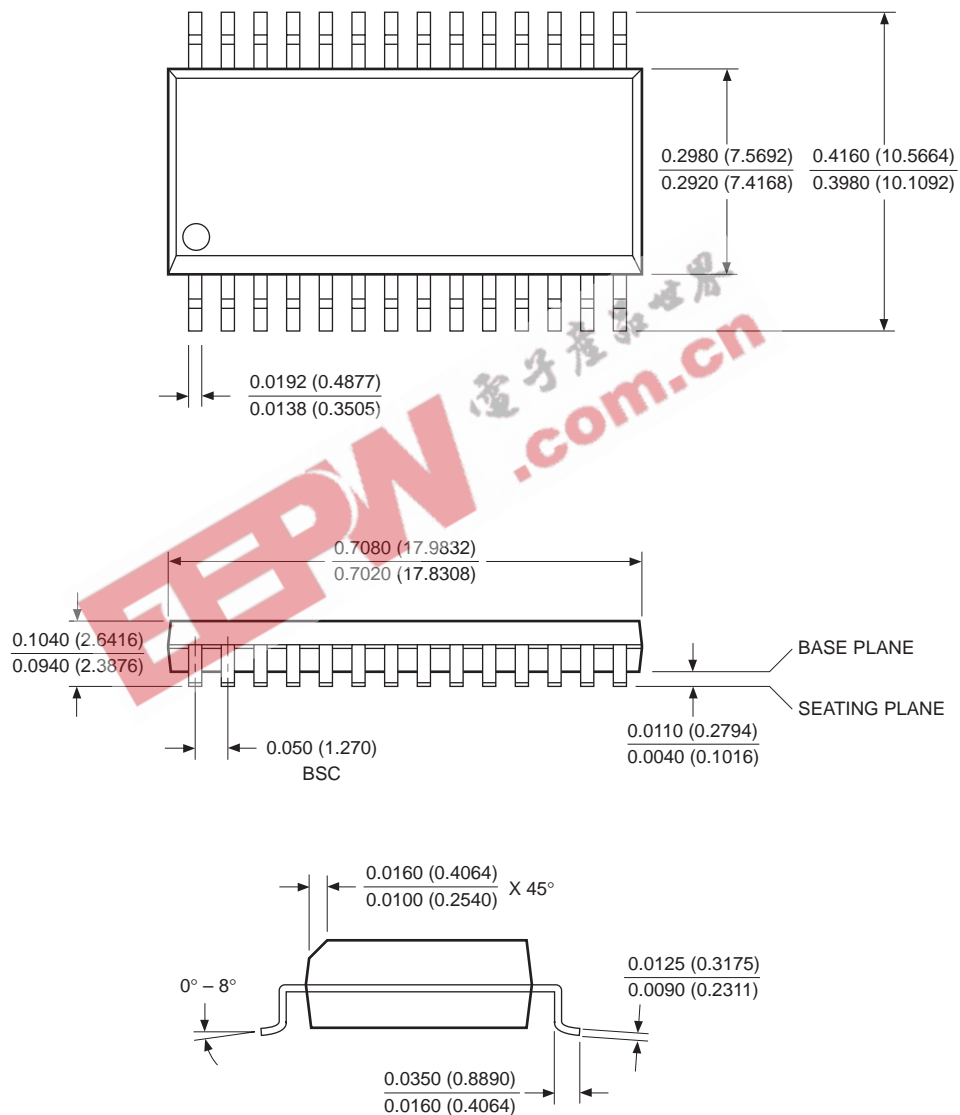
**NOTES:**

1. ALL DIMENSIONS IN INCHES (IN PARENTHESES IN MILLIMETERS)
2. DIMENSIONS WITH NO TOLERANCE FOR REFERENCE ONLY

# X28VC256

## PACKAGING INFORMATION

### 28-LEAD PLASTIC SMALL OUTLINE GULL WING PACKAGE TYPE S



3926 FHD F17

#### NOTES:

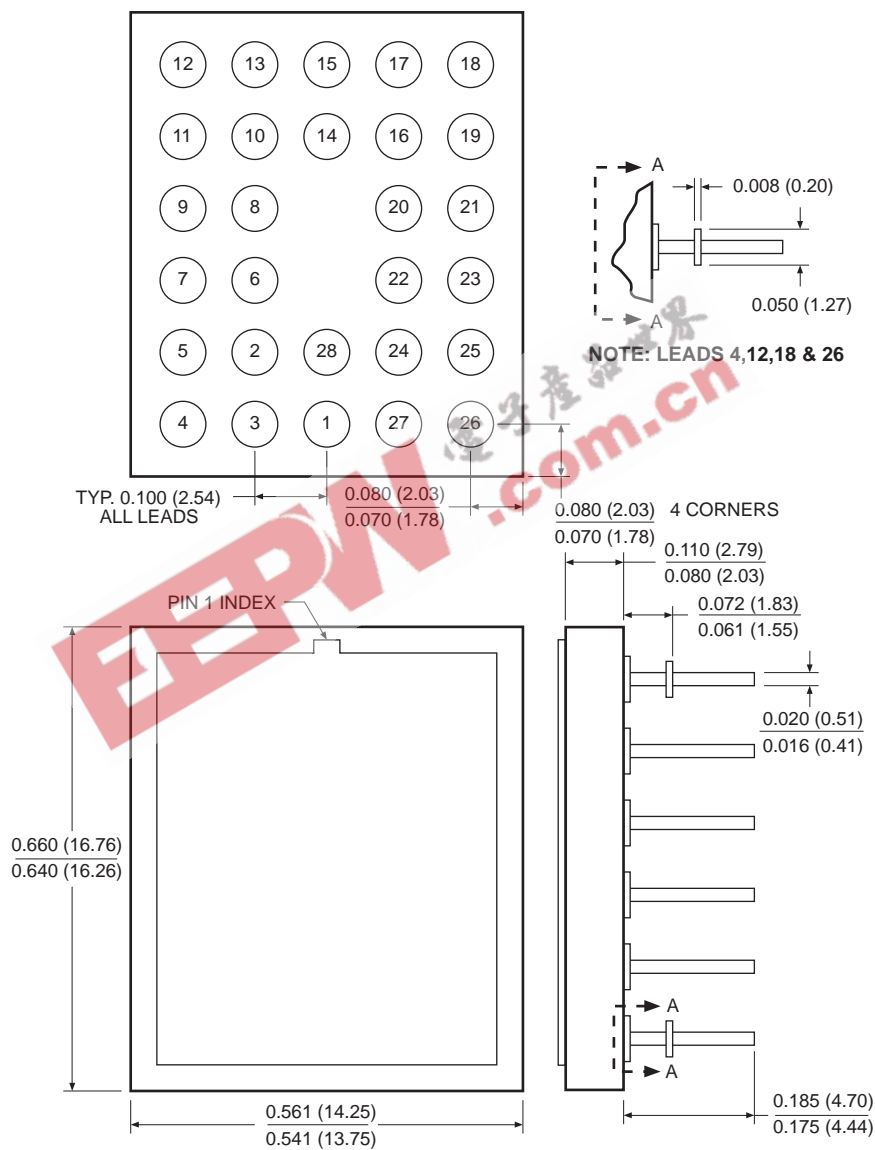
1. ALL DIMENSIONS IN INCHES (IN PARENTHESES IN MILLIMETERS)
2. FORMED LEAD SHALL BE PLANAR WITH RESPECT TO ONE ANOTHER WITHIN 0.004 INCHES
3. BACK EJECTOR PIN MARKED "KOREA"
4. CONTROLLING DIMENSION: INCHES (MM)



# X28VC256

## PACKAGING INFORMATION

### 28-LEAD CERAMIC PIN GRID ARRAY PACKAGE TYPE K

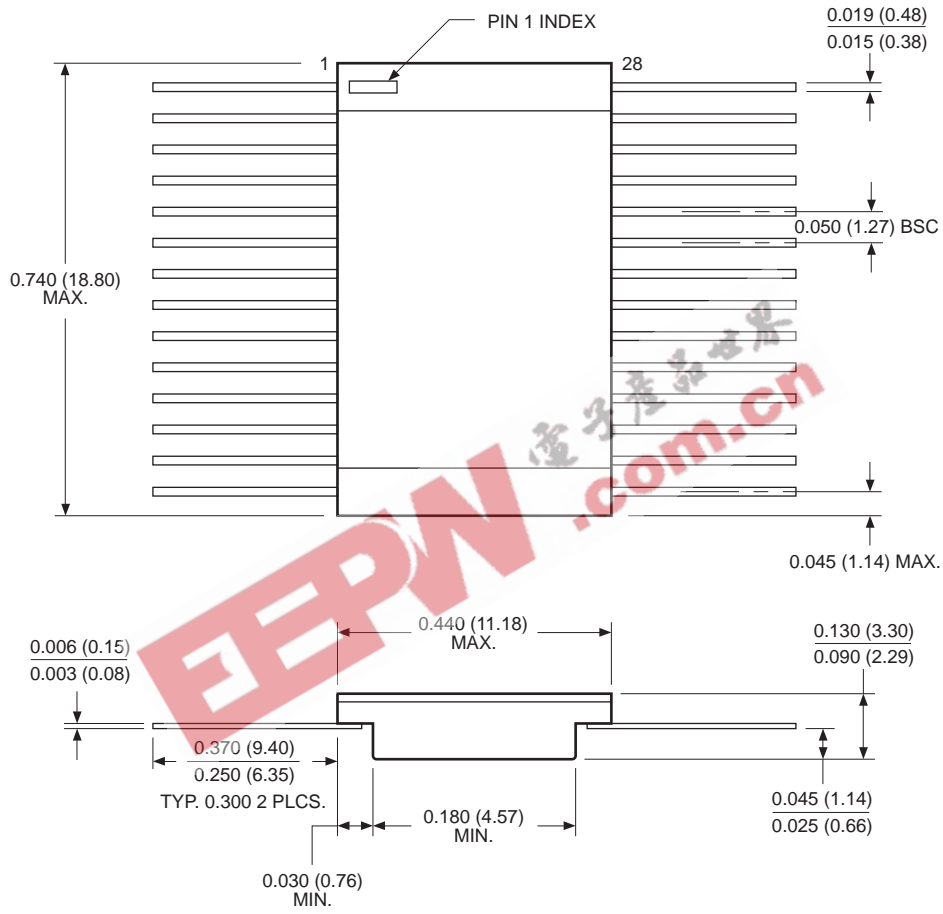


3926 FHD F15

# X28VC256

## PACKAGING INFORMATION

### 28-LEAD CERAMIC FLAT PACK TYPE F



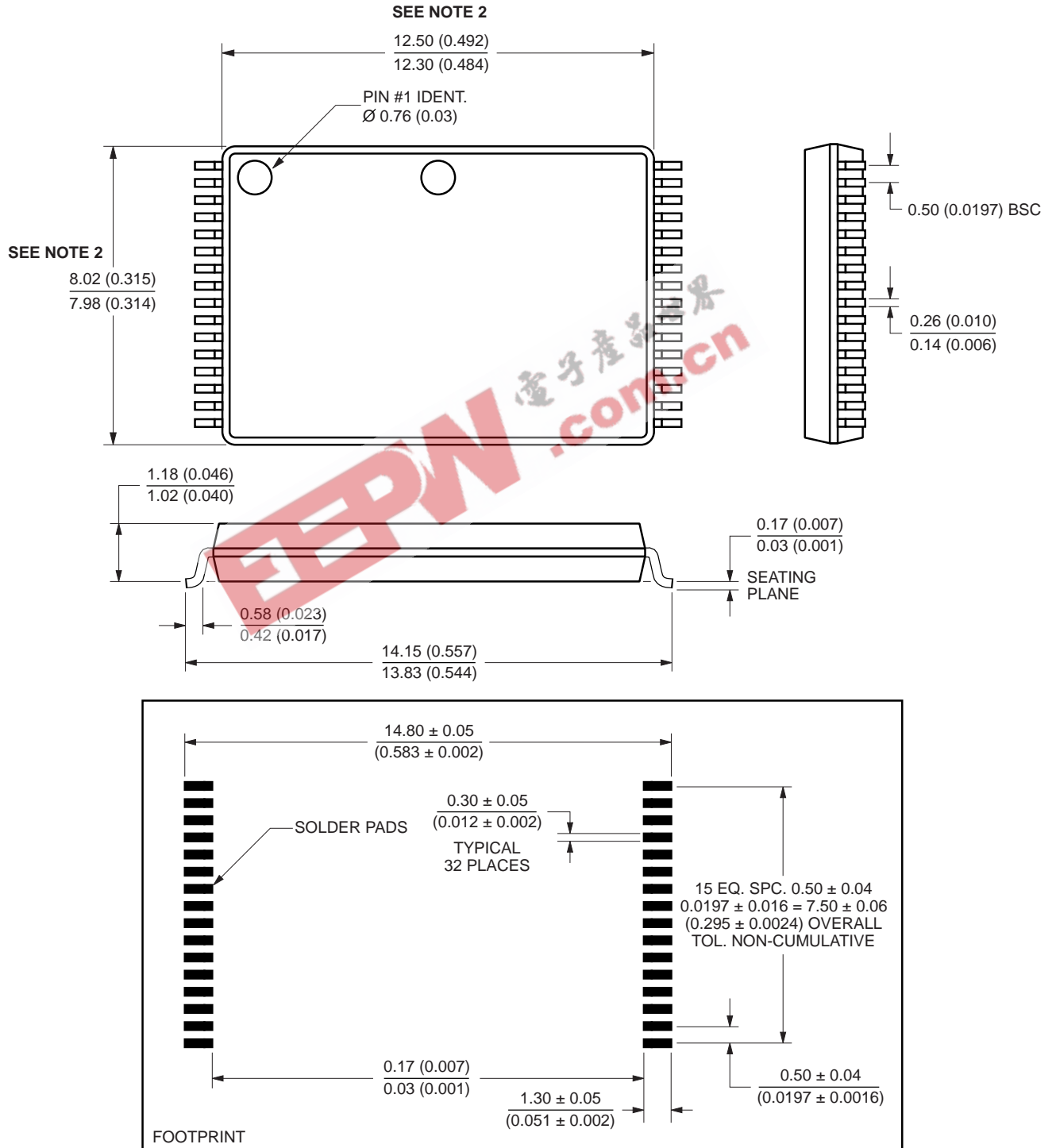
NOTE: ALL DIMENSIONS IN INCHES (IN PARENTHESES IN MILLIMETERS)

3926 FHD F16

# X28VC256

## PACKAGING INFORMATION

### 32-LEAD THIN SMALL OUTLINE PACKAGE (TSOP) TYPE T



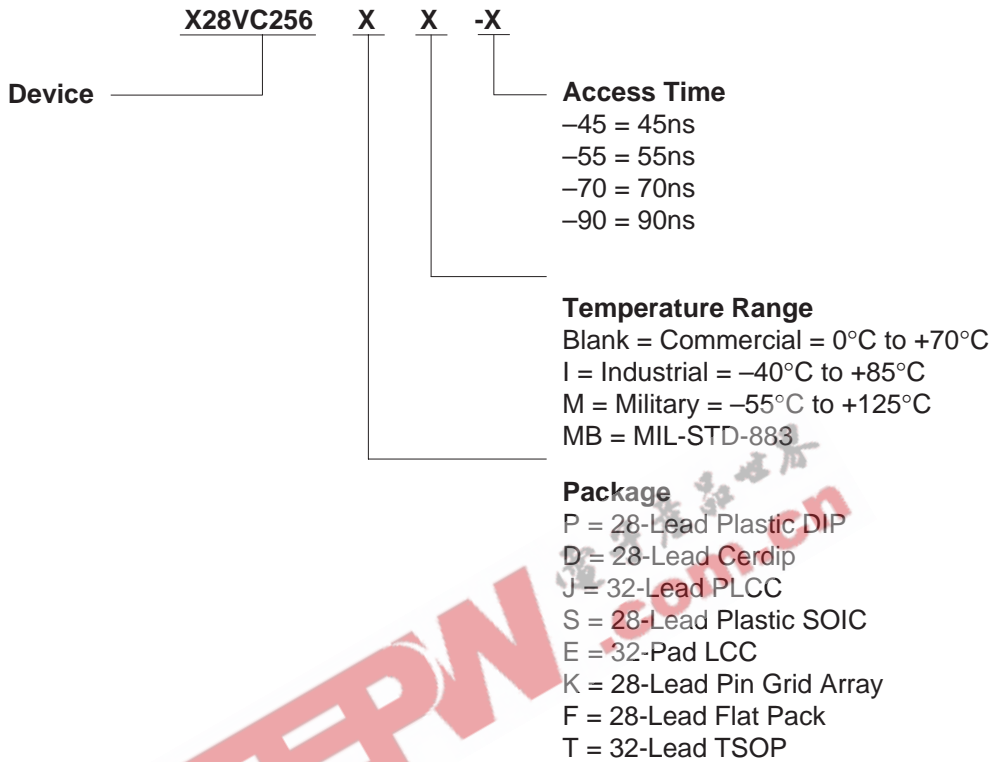
**NOTE:**

1. ALL DIMENSIONS ARE SHOWN IN MILLIMETERS (INCHES IN PARENTHESES).

3926 ILL F38.1

# X28VC256

## ORDERING INFORMATION



### LIMITED WARRANTY

Devices sold by Xicor, Inc. are covered by the warranty and patent indemnification provisions appearing in its Terms of Sale only. Xicor, Inc. makes no warranty, express, statutory, implied, or by description regarding the information set forth herein or regarding the freedom of the described devices from patent infringement. Xicor, Inc. makes no warranty of merchantability or fitness for any purpose. Xicor, Inc. reserves the right to discontinue production and change specifications and prices at any time and without notice.

Xicor, Inc. assumes no responsibility for the use of any circuitry other than circuitry embodied in a Xicor, Inc. product. No other circuits, patents, licenses are implied.

### U.S. PATENTS

Xicor products are covered by one or more of the following U.S. Patents: 4,263,664; 4,274,012; 4,300,212; 4,314,265; 4,326,134; 4,393,481; 4,404,475; 4,450,402; 4,486,769; 4,488,060; 4,520,461; 4,533,846; 4,599,706; 4,617,652; 4,668,932; 4,752,912; 4,829,482; 4,874,967; 4,883,976. Foreign patents and additional patents pending.

### LIFE RELATED POLICY

In situations where semiconductor component failure may endanger life, system designers using this product should design the system with appropriate error detection and correction, redundancy and back-up features to prevent such an occurrence.

Xicor's products are not authorized for use in critical components in life support devices or systems.

1. Life support devices or systems are devices or systems which, (a) are intended for surgical implant into the body, or (b) support or sustain life, and whose failure to perform, when properly used in accordance with instructions for use provided in the labeling, can be reasonably expected to result in a significant injury to the user.
2. A critical component is any component of a life support device or system whose failure to perform can be reasonably expected to cause the failure of the life support device or system, or to affect its safety or effectiveness.