

# 5.00mm (0.196") PITCH CONNECTOR

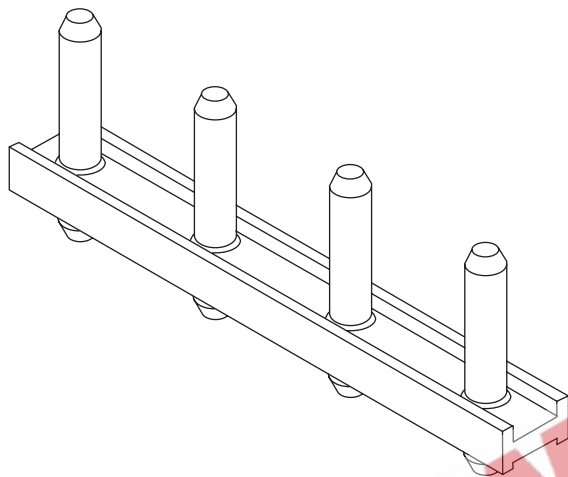


**Dy Connector  
Wafer**

**YFW500 Series**

**DIP**

**Straight**



## Material

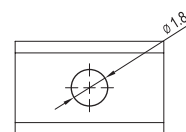
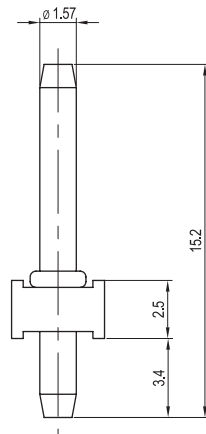
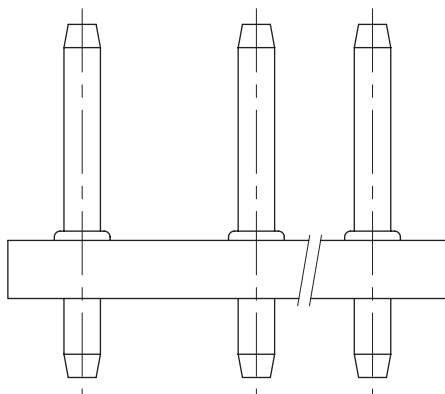
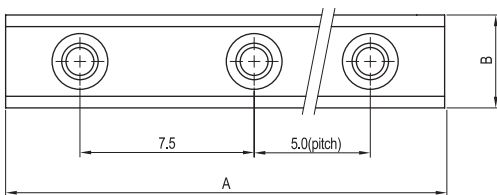
I/NO	DESCRIPTION	TITLE	MATERIAL
1	WAFER	YFW500	PA66, UL94 V Grade

## Available Pin

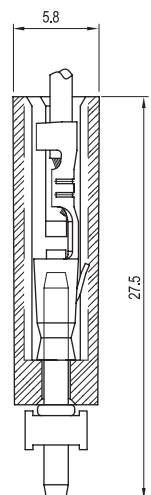
PARTS NO.	A
YFW500-01	6.4
YFW500-02	13.9
YFW500-03	18.9
YFW500-04	23.9
YFW500-05	28.9
YFW500-06	33.9

## Specification

ITEM	SPEC
Voltage Rating	AC/DC 250V
Current Rating	AC/DC 5A
Operating Temperature	-25°C~+85°C
Contact Resistance	30mΩ MAX
Withstanding Voltage	AC1500V/1min
Insulation Resistance	1000MΩ MIN
Applicable Wire	-
Applicable P.C.B	1.2~1.6mm
Applicable FPC/FFC	-
Solder Height	-
Crimp Tensile Strength	-
UL FILE NO	-



PCB LAYOUT



PCB ASS'Y