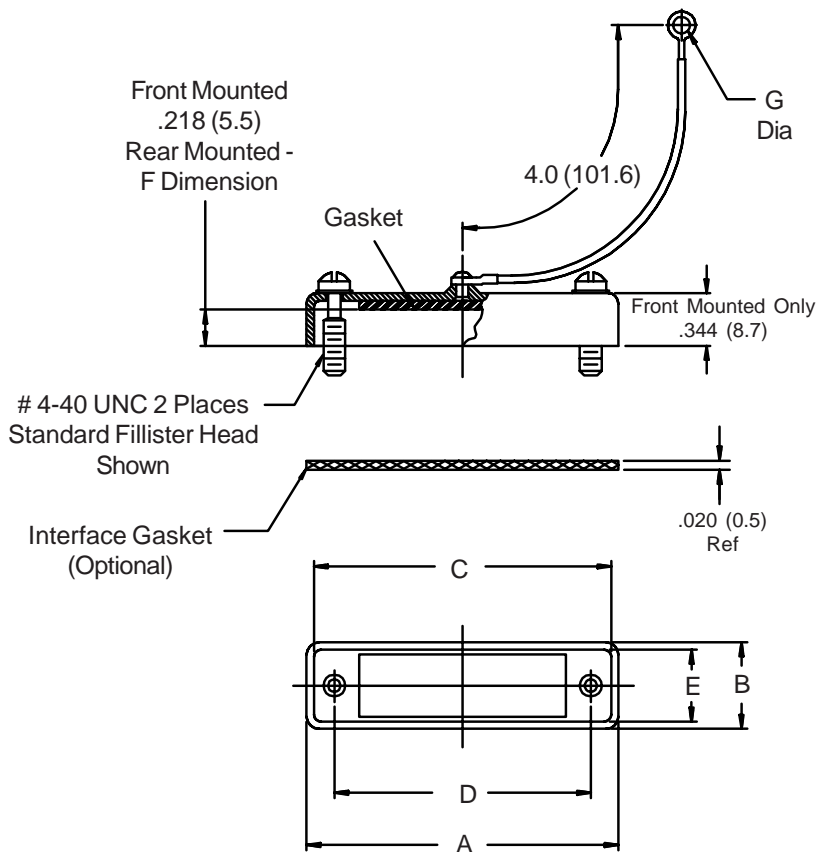
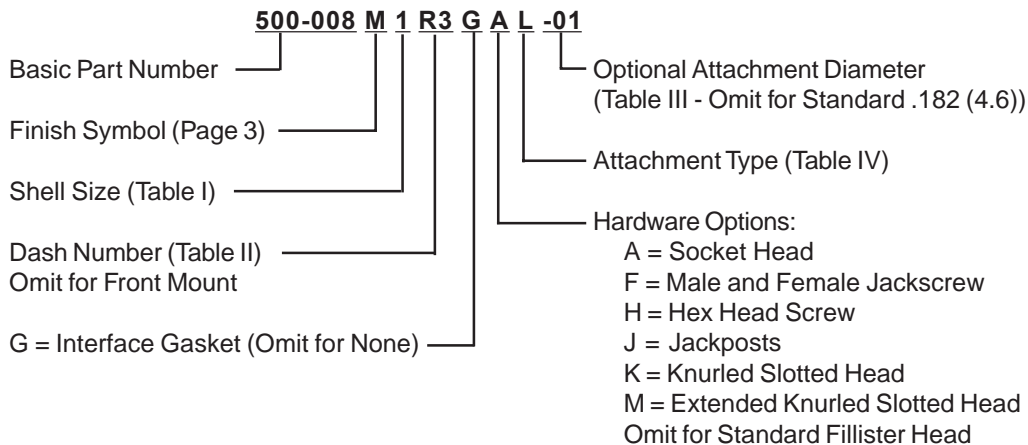


500-008 D-Subminiature Metal Protective Cover



Hardware Options

Sym. F
Turnable Male and Female Jackscrews

Sym. J
Jackpost

4-40 UNC

Knurl Mfr. Option

Sym. H
Hex Head Screw

Sym. A
Socket Head

1.00 (25.4)
Ref.

Sym. K
Knurled Slotted Head

Sym. M
Extended Knurled Slotted Head

500-008
D-Subminiature
Metal Protective Cover



MIL-C-24308
D-Subminiature

TABLE I: SHELL SIZE

Shell Size	A Max	B Max	C Ref	D ±.005 (.1)	E Ref
1	1.39 (35.3)	.51 (13.0)	1.23 (31.2)	.984 (25.0)	.41 (10.4)
2	1.72 (43.7)	.51 (13.0)	1.56 (39.6)	1.312 (33.3)	.41 (10.4)
3	2.26 (57.4)	.51 (13.0)	2.10 (53.3)	1.852 (47.0)	.41 (10.4)
4	2.90 (73.7)	.51 (13.0)	2.74 (69.6)	2.500 (63.5)	.41 (10.4)
5	2.81 (71.4)	.62 (15.7)	2.65 (67.3)	2.406 (61.1)	.52 (13.2)
6	2.90 (73.7)	.68 (17.3)	2.74 (69.6)	2.500 (63.5)	.58 (14.7)

TABLE II: DASH NUMBER

Dash No.	Panel Thickness	F
R1	.031 (.8)	.187 (4.7)
R2	.047 (1.2)	.171 (4.3)
R3	.062 (1.6)	.156 (4.0)
R4	.093 (2.4)	.125 (3.2)
R5	.104 (2.6)	.114 (2.9)
R6	.125 (3.2)	.096 (2.4)
R7	.156 (4.0)	.062 (1.6)
R8	.138 (3.5)	.080 (2.0)

TABLE III: EYELET

Dash No.	G Dia
01	.140 (3.6)
Omit	.182 (4.6)
03	.191 (4.9)
04	.197 (5.0)
05	.167 (4.2)
06	.125 (3.2)
07	.218 (5.5)

TABLE IV: ATTACHMENT

Sym	Attachment Type
D	Bead Chain, Cres, Passivated
Omit	Wire Rope, Nylon Jacket
Z	Nylon Rope
E	Wire Rope Teflon Jacket
L	Attachment Omitted
R	Wire Rope, PVC Jacket
T	Wire Rope, No Jacket
S	#8 Sash Chain, Cres., Passivate
U	Wire Rope, Polyurethane Jacket With Terminal

1. Metric dimensions (mm) are indicated in parentheses.
2. Use with Glenair mounting kit 559-001 (Page A-114).