

Split Backshell for MIL-C-81659 Connectors to MIL-C-38999 Series I & II, Shell Size 20 500-006

500-006 M H R

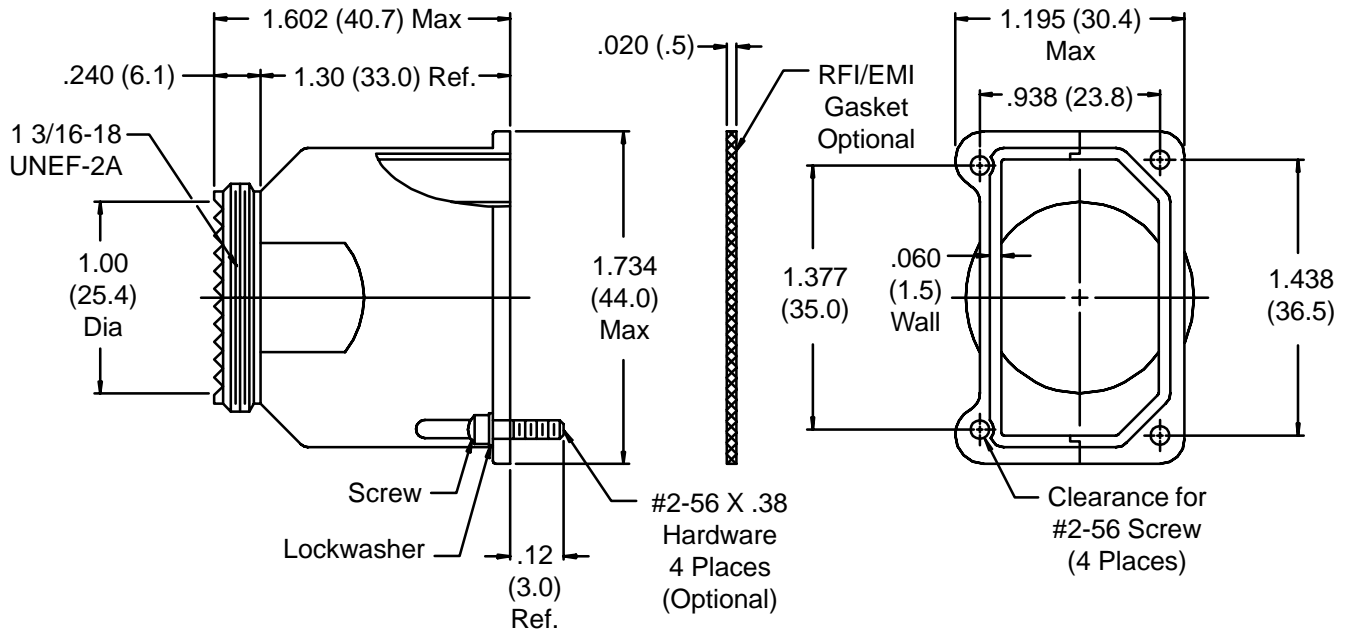
Basic Part No. _____

Finish: _____

B = Cadmium Plate/Olive Drab
M = Electroless Nickel
N = Cadmium Plate/Olive Drab over Nickel Plate
Omit for Cadmium Olive Drab Over
Electroless Nickel (1000 Hour Salt Spray)

H = Hardware Supplied, Omit for None _____

R = RFI Gasket, Omit for None _____



1. Metric dimensions (mm) are indicated in parentheses.
2. Material/Finish:
 - Backshell = Al Alloy/Finish Per Part Number Development
 - Hardware = SST/Passivate
 - Gasket = Metex/N.A.