

## Split Backshell for MIL-C-81659 Connectors to MIL-C-38999 Series I & II, Shell Size 20 500-006

**500-006 M H R**

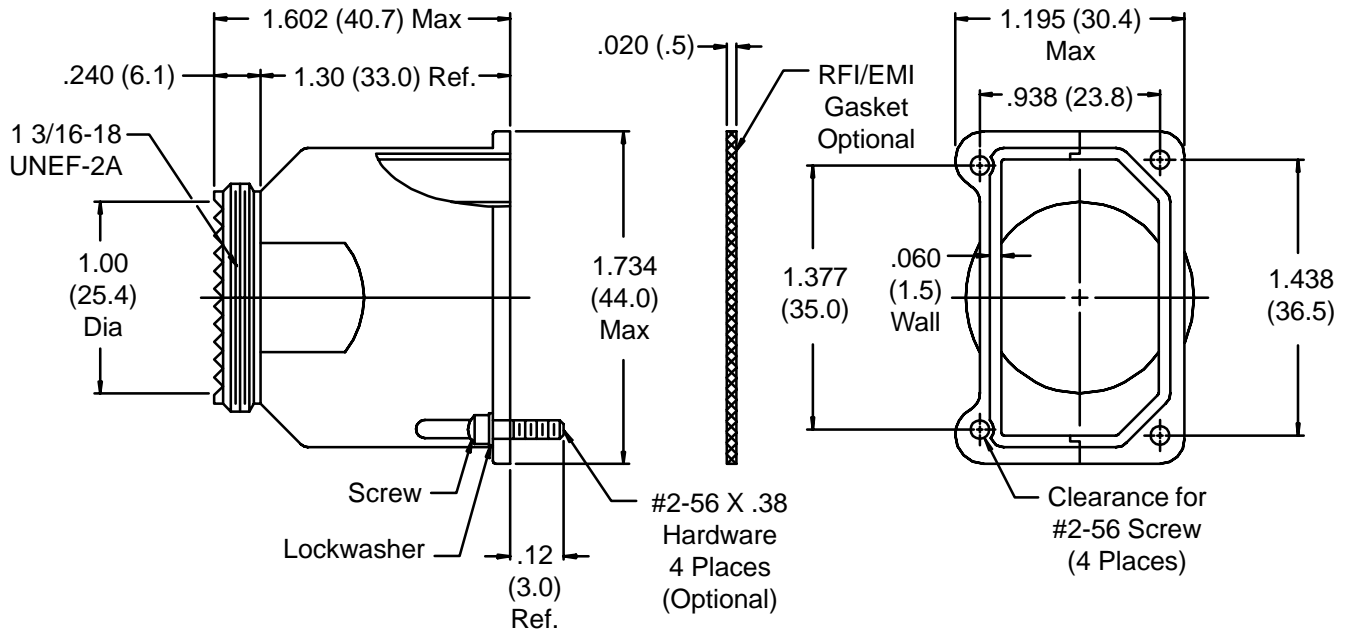
Basic Part No. \_\_\_\_\_

Finish: \_\_\_\_\_

B = Cadmium Plate/Olive Drab  
M = Electroless Nickel  
N = Cadmium Plate/Olive Drab over Nickel Plate  
Omit for Cadmium Olive Drab Over  
Electroless Nickel (1000 Hour Salt Spray)

H = Hardware Supplied, Omit for None \_\_\_\_\_

R = RFI Gasket, Omit for None \_\_\_\_\_



1. Metric dimensions (mm) are indicated in parentheses.
2. Material/Finish:
  - Backshell = Al Alloy/Finish Per Part Number Development
  - Hardware = SST/Passivate
  - Gasket = Metex/N.A.