



Micro-D Backshells EMI, Elliptical, One Piece 500-047

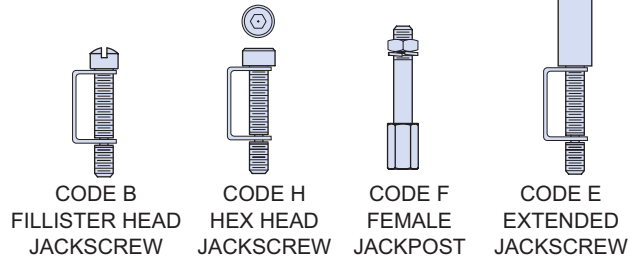
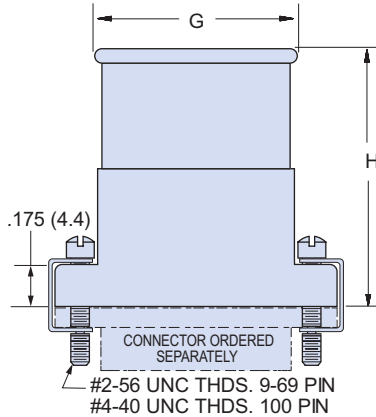
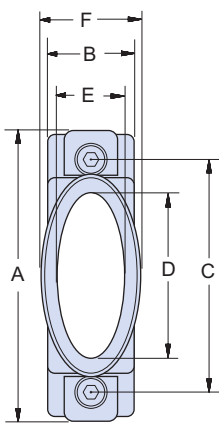


Elliptical Backshells provide extra room for large wire bundles. This one piece version features an oversize shield termination area for both standard and micro **BAND-IT®** shield termination straps.

MATERIALS	
Shell	Aluminum Alloy 6061 -T6
Clips	17-7PH Stainless Steel
Hardware	300 Series Stainless Steel

HOW TO ORDER 500-047 ELLIPTICAL BACKSHELLS

Series	Shell Finish	Connector Size	Hardware Option	EMI Band Strap Option
500-047	E – Chem Film	09	B – Fillister Head Jackscrew	Omit (Leave Blank) Band Not Included
	J – Cadmium, Yellow Chromate	15		
	M – Electroless Nickel	21	H – Hex Head Jackscrew	
	NF – Cadmium, Olive Drab	25	E – Extended Jackscrew	
	Z2 – Gold	31	F – Jackpost, Female	
			37	
Sample Part Number				
500-047	– M	25	H	



Size	A Max.		B Max.		C		D Max.		E		F Max.		G Max.		H Max.	
	In.	mm.	In.	mm.	In.	mm.	In.	mm.	In.	mm.	In.	mm.	In.	mm.	In.	mm.
09	.850	21.59	.370	9.40	.565	14.35	.312	7.92	.281	7.14	.450	11.43	.481	12.22	.780	19.81
15	1.000	25.40	.370	9.40	.715	18.16	.420	10.67	.281	7.14	.450	11.43	.589	14.96	.910	23.11
21	1.150	29.21	.370	9.40	.865	21.97	.591	15.01	.281	7.14	.450	11.43	.759	19.28	1.030	26.16
25	1.250	31.75	.370	9.40	.965	24.51	.690	17.53	.281	7.14	.450	11.43	.859	21.82	1.090	27.68
31	1.400	35.56	.370	9.40	1.115	28.32	.820	20.83	.281	7.14	.450	11.43	.989	25.12	1.150	29.21
37	1.550	39.37	.370	9.40	1.265	32.13	.970	24.64	.281	7.14	.450	11.43	1.139	28.93	1.180	29.97
51	1.500	38.10	.410	10.41	1.215	30.86	.920	23.37	.312	7.92	.481	12.22	1.089	27.66	1.220	30.99
51-2	1.910	48.51	.370	9.40	1.615	41.02	1.030	26.16	.281	7.14	.450	11.43	1.489	37.82	1.220	30.99
67	2.310	58.67	.370	9.40	2.015	51.18	1.720	43.69	.281	7.14	.450	11.43	1.889	47.98	1.220	30.99
69	1.810	45.97	.410	10.41	1.515	38.48	1.220	30.99	.312	7.92	.481	12.22	1.389	35.28	1.220	30.99
100	2.235	56.77	.460	11.68	1.800	45.72	1.290	32.77	.360	9.14	.529	13.44	1.459	37.06	1.280	32.51