

# Micro-D Backshells Switching/Shorting, One Piece 500-016



**Shorting Backshells** are closed shells used to provide a convenient way to protect Micro-D connectors used for circuit switching or shorting. Lanyards provide easy attachment to chassis panels.

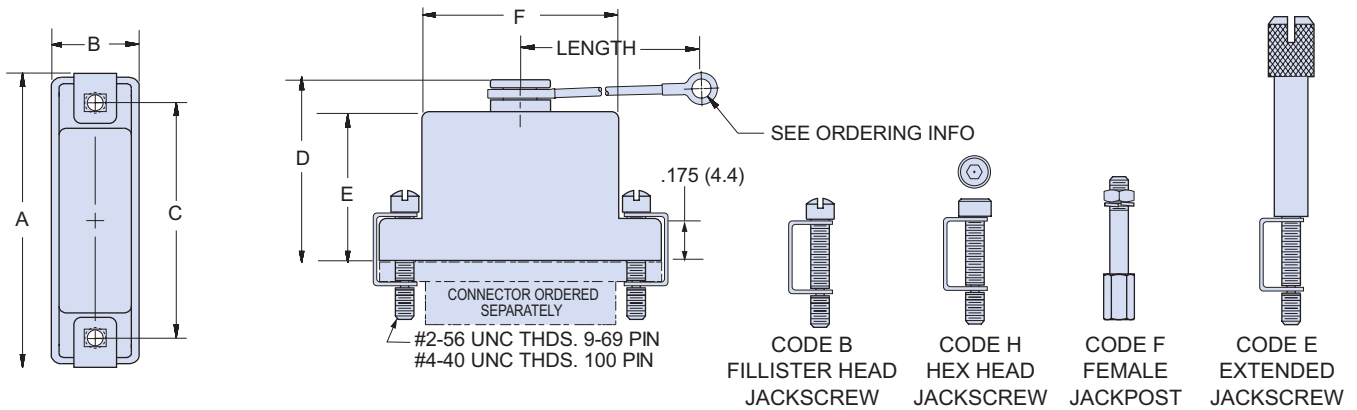
MATERIALS	
Shell	Aluminum Alloy 6061 -T6
Clips	17-7PH Stainless Steel
Hardware	300 Series Stainless Steel

## HOW TO ORDER 500-016 SHORTING BACKSHELLS

Series	Shell Finish	Connector Size	Hardware Option	Lanyard Option	Lanyard Length	Ring Terminal Ordering Code
500-016	<b>E</b> – Chem Film	<b>09</b> <b>51</b>	<b>B</b> – Fillister Head Jackscrew	<b>N</b> – No Lanyard	<b>Length in One Inch Increments</b>  Example: "6" equals six inches.	<b>06</b> – .125 (3.2)
	<b>J</b> – Cadmium, Yellow Chromate	<b>15</b> <b>51-2</b>		<b>F</b> – Wire Rope, Nylon Jacket		<b>01</b> – .140 (3.6)
	<b>M</b> – Electroless Nickel	<b>21</b> <b>67</b>	<b>H</b> – Hex Head Jackscrew	<b>H</b> – Wire Rope, Teflon Jacket		<b>05</b> – .167 (4.2)
	<b>NF</b> – Cadmium, Olive Drab	<b>25</b> <b>69</b>	<b>E</b> – Extended Jackscrew			<b>04</b> – .197 (5.0)
	<b>Z2</b> – Gold	<b>31</b> <b>100</b>	<b>F</b> – Jackpost, Female			I.D. of Ring Terminal
		<b>37</b>				

### Sample Part Number

500-016	- M	25	H	F	4	- 06
---------	-----	----	---	---	---	------



Size	A Max.		B Max.		C		D Max.		E Max.		F Max.	
	In.	mm.	In.	mm.	In.	mm.	In.	mm.	In.	mm.	In.	mm.
09	.850	21.59	.370	9.40	.565	14.35	.500	12.70	.350	8.89	.410	10.41
15	1.000	25.40	.370	9.40	.715	18.16	.620	15.75	.470	11.94	.580	14.73
21	1.150	29.21	.370	9.40	.865	21.97	.740	18.80	.590	14.99	.740	18.80
25	1.250	31.75	.370	9.40	.965	24.51	.800	20.32	.650	16.51	.850	21.59
31	1.400	35.56	.370	9.40	1.115	28.32	.860	21.84	.710	18.03	.980	24.89
37	1.550	39.37	.370	9.40	1.265	32.13	.900	22.86	.750	19.05	1.130	28.70
51	1.500	38.10	.410	10.41	1.215	30.86	.930	23.62	.780	19.81	1.080	27.43
51-2	1.910	48.51	.370	9.40	1.615	41.02	.930	23.62	.780	19.81	1.510	38.35
67	2.310	58.67	.370	9.40	2.015	51.18	.930	23.62	.780	19.81	1.880	47.75
69	1.810	45.97	.410	10.41	1.515	38.48	.930	23.62	.780	19.81	1.380	35.05
100	2.235	56.77	.460	11.68	1.800	45.72	.990	25.15	.840	21.34	1.470	37.34