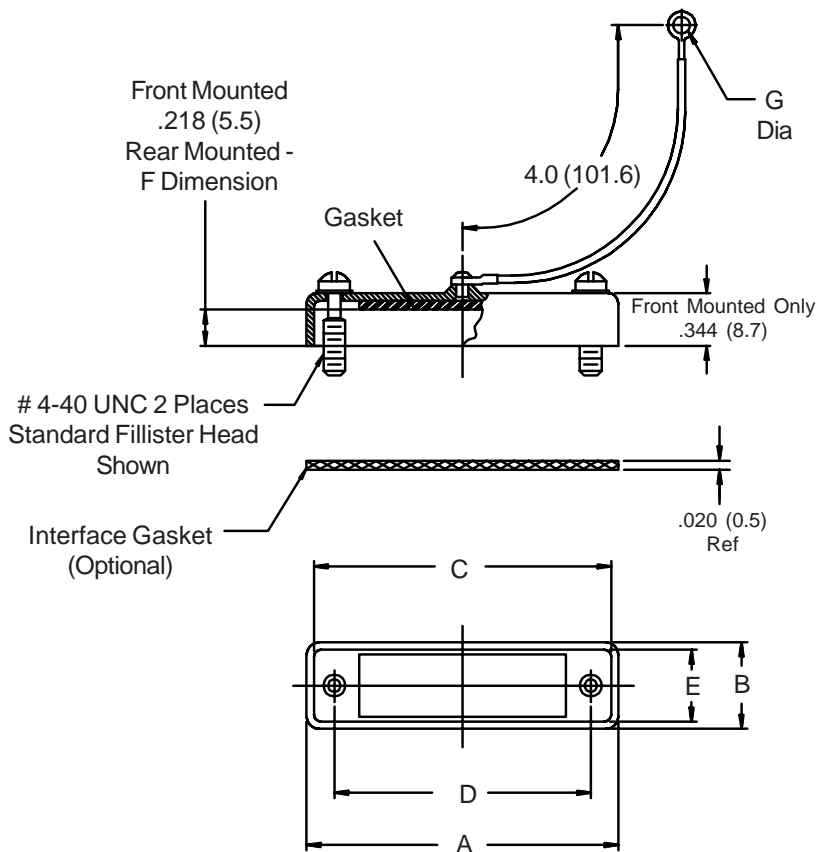
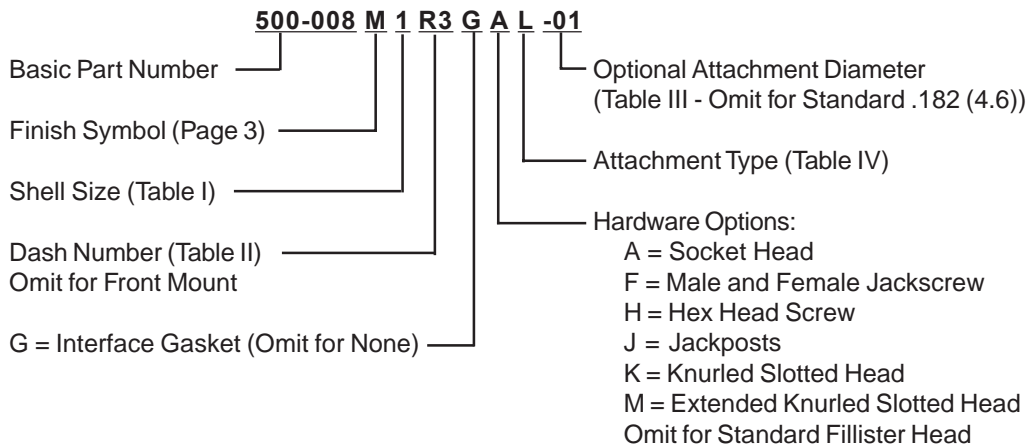


500-008 D-Subminiature Metal Protective Cover



Hardware Options

Sym. F
Turnable Male and Female Jackscrews

Sym. J
Jackpost
4-40 UNC

Sym. H
Hex Head Screw

Sym. A
Socket Head

Sym. K
Knurled Slotted Head

Sym. M
Extended Knurled Slotted Head
1.00 (25.4) Ref.

Knurl Mfr. Option

**500-008
D-Subminiature
Metal Protective Cover**



MIL-C-24308
D-Subminiature

TABLE I: SHELL SIZE

Shell Size	A Max	B Max	C Ref	D		E Ref
				±.005	(.1)	
1	1.39 (35.3)	.51 (13.0)	1.23 (31.2)	.984	(25.0)	.41 (10.4)
2	1.72 (43.7)	.51 (13.0)	1.56 (39.6)	1.312	(33.3)	.41 (10.4)
3	2.26 (57.4)	.51 (13.0)	2.10 (53.3)	1.852	(47.0)	.41 (10.4)
4	2.90 (73.7)	.51 (13.0)	2.74 (69.6)	2.500	(63.5)	.41 (10.4)
5	2.81 (71.4)	.62 (15.7)	2.65 (67.3)	2.406	(61.1)	.52 (13.2)
6	2.90 (73.7)	.68 (17.3)	2.74 (69.6)	2.500	(63.5)	.58 (14.7)

TABLE II: DASH NUMBER

Dash No.	Panel Thickness		F	
R1	.031	(.8)	.187	(4.7)
R2	.047	(1.2)	.171	(4.3)
R3	.062	(1.6)	.156	(4.0)
R4	.093	(2.4)	.125	(3.2)
R5	.104	(2.6)	.114	(2.9)
R6	.125	(3.2)	.096	(2.4)
R7	.156	(4.0)	.062	(1.6)
R8	.138	(3.5)	.080	(2.0)

TABLE III: EYELET

Dash No.	G Dia	
01	.140	(3.6)
Omit	.182	(4.6)
03	.191	(4.9)
04	.197	(5.0)
05	.167	(4.2)
06	.125	(3.2)
07	.218	(5.5)

TABLE IV: ATTACHMENT

Sym	Attachment Type
D	Bead Chain, Cres, Passivated
Omit	Wire Rope, Nylon Jacket
Z	Nylon Rope
E	Wire Rope Teflon Jacket
L	Attachment Omitted
R	Wire Rope, PVC Jacket
T	Wire Rope, No Jacket
S	#8 Sash Chain, Cres., Passivate
U	Wire Rope, Polyurethane Jacket With Terminal

1. Metric dimensions (mm) are indicated in parentheses.
2. Use with Glenair mounting kit 559-001 (Page A-114).