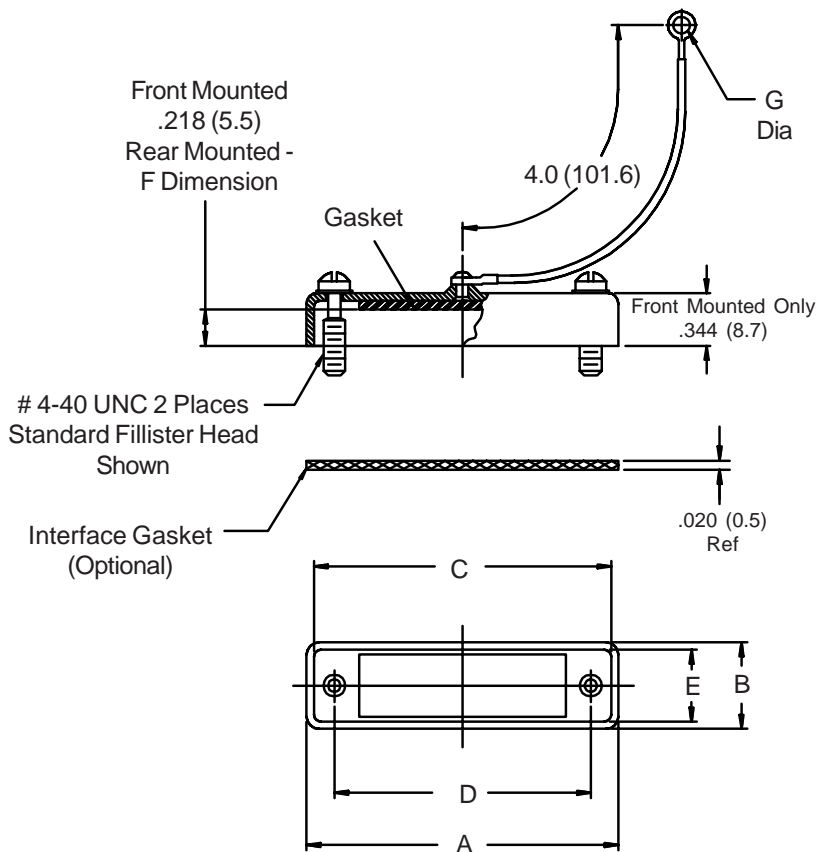


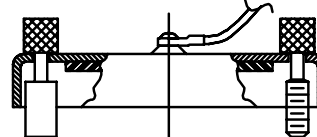
# 500-008 D-Subminiature Metal Protective Cover

500-008 M 1 R3 G A L -01

- Basic Part Number — 500-008
- Finish Symbol (Page 3) — M
- Shell Size (Table I) — 1
- Dash Number (Table II) — R3
- Omit for Front Mount — G
- G = Interface Gasket (Omit for None)
- Optional Attachment Diameter (Table III - Omit for Standard .182 (4.6)) — A
- Attachment Type (Table IV) — L
- Hardware Options:
  - A = Socket Head
  - F = Male and Female Jackscrew
  - H = Hex Head Screw
  - J = Jackposts
  - K = Knurled Slotted Head
  - M = Extended Knurled Slotted Head
  - Omit for Standard Fillister Head



## Hardware Options



**Sym. F**

Turnable Male and Female Jackscrews



**Sym. J**  
Jackpost

4-40 UNC



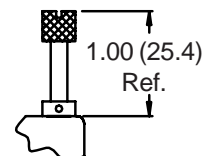
**Sym. H**  
Hex Head Screw



**Sym. A**  
Socket Head



**Sym. K**  
Knurled Slotted Head



**Sym. M**  
Extended Knurled Slotted Head

**500-008  
D-Subminiature  
Metal Protective Cover**



MIL-C-24308  
D-Subminiature

**TABLE I: SHELL SIZE**

Shell Size	A Max	B Max	C Ref	D		E Ref
				±.005	(.1)	
1	1.39 (35.3)	.51 (13.0)	1.23 (31.2)	.984	(25.0)	.41 (10.4)
2	1.72 (43.7)	.51 (13.0)	1.56 (39.6)	1.312	(33.3)	.41 (10.4)
3	2.26 (57.4)	.51 (13.0)	2.10 (53.3)	1.852	(47.0)	.41 (10.4)
4	2.90 (73.7)	.51 (13.0)	2.74 (69.6)	2.500	(63.5)	.41 (10.4)
5	2.81 (71.4)	.62 (15.7)	2.65 (67.3)	2.406	(61.1)	.52 (13.2)
6	2.90 (73.7)	.68 (17.3)	2.74 (69.6)	2.500	(63.5)	.58 (14.7)

**TABLE II: DASH NUMBER**

Dash No.	Panel Thickness		F	
R1	.031	(.8)	.187	(4.7)
R2	.047	(1.2)	.171	(4.3)
R3	.062	(1.6)	.156	(4.0)
R4	.093	(2.4)	.125	(3.2)
R5	.104	(2.6)	.114	(2.9)
R6	.125	(3.2)	.096	(2.4)
R7	.156	(4.0)	.062	(1.6)
R8	.138	(3.5)	.080	(2.0)

**TABLE III: EYELET**

Dash No.	G Dia	
01	.140	(3.6)
Omit	.182	(4.6)
03	.191	(4.9)
04	.197	(5.0)
05	.167	(4.2)
06	.125	(3.2)
07	.218	(5.5)

**TABLE IV: ATTACHMENT**

Sym	Attachment Type
D	Bead Chain, Cres, Passivated
Omit	Wire Rope, Nylon Jacket
Z	Nylon Rope
E	Wire Rope Teflon Jacket
L	Attachment Omitted
R	Wire Rope, PVC Jacket
T	Wire Rope, No Jacket
S	#8 Sash Chain, Cres., Passivate
U	Wire Rope, Polyurethane Jacket With Terminal

1. Metric dimensions (mm) are indicated in parentheses.
2. Use with Glenair mounting kit 559-001 (Page A-114).