

# Micro-D Backshells Switching/Shorting, One Piece 500-016



**Shorting Backshells** are closed shells used to provide a convenient way to protect Micro-D connectors used for circuit switching or shorting. Lanyards provide easy attachment to chassis panels.

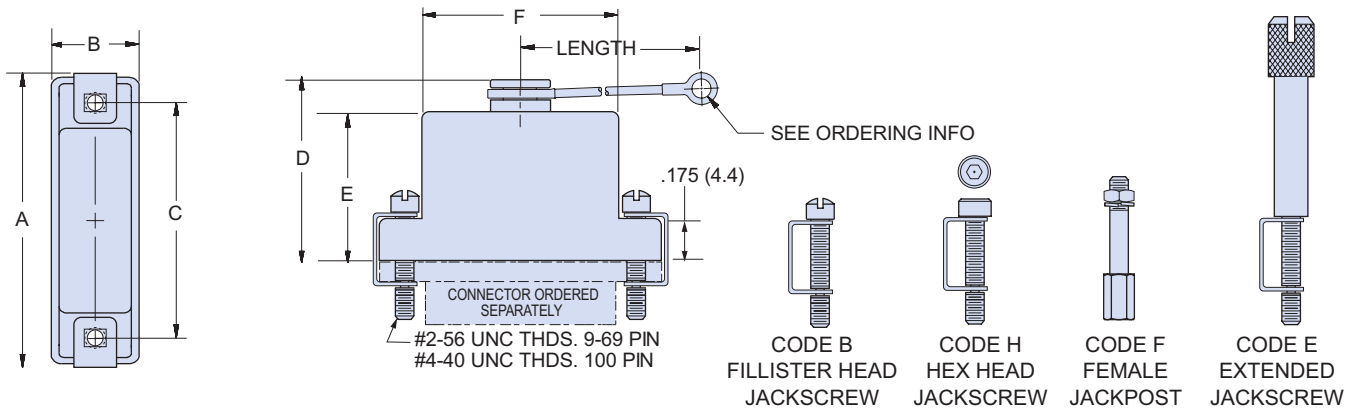
| MATERIALS |                            |
|-----------|----------------------------|
| Shell     | Aluminum Alloy 6061 -T6    |
| Clips     | 17-7PH Stainless Steel     |
| Hardware  | 300 Series Stainless Steel |

## HOW TO ORDER 500-016 SHORTING BACKSHELLS

| Series  | Shell Finish                        | Connector Size        | Hardware Option                     | Lanyard Option                      | Lanyard Length  | Ring Terminal Ordering Code |
|---------|-------------------------------------|-----------------------|-------------------------------------|-------------------------------------|---|-----------------------------|
| 500-016 | <b>E</b> – Chem Film                | <b>09</b> <b>51</b>   | <b>B</b> – Fillister Head Jackscrew | <b>N</b> – No Lanyard               | <b>Length in One Inch Increments</b><br><br>Example: "6" equals six inches. | <b>06</b> – .125 (3.2)      |
|         | <b>J</b> – Cadmium, Yellow Chromate | <b>15</b> <b>51-2</b> |                                     | <b>F</b> – Wire Rope, Nylon Jacket  |   | <b>01</b> – .140 (3.6)      |
|         | <b>M</b> – Electroless Nickel       | <b>21</b> <b>67</b>   | <b>H</b> – Hex Head Jackscrew       | <b>H</b> – Wire Rope, Teflon Jacket |   | <b>05</b> – .167 (4.2)      |
|         | <b>NF</b> – Cadmium, Olive Drab     | <b>25</b> <b>69</b>   | <b>E</b> – Extended Jackscrew       |                                     |   | <b>04</b> – .197 (5.0)      |
|         | <b>31</b> <b>100</b>                |                       | <b>F</b> – Jackpost, Female         |                                     |   | I.D. of Ring Terminal       |
|         | <b>37</b>                           |                       |                                     |                                     |   |                             |

### Sample Part Number

|         |     |    |   |   |   |      |
|---------|-----|----|---|---|---|------|
| 500-016 | - M | 25 | H | F | 4 | - 06 |
|---------|-----|----|---|---|---|------|



| Size | A Max. |       | B Max. |       | C     |       | D Max. |       | E Max. |       | F Max. |       |
|------|--------|-------|--------|-------|-------|-------|--------|-------|--------|-------|--------|-------|
|      | In.    | mm.   | In.    | mm.   | In.   | mm.   | In.    | mm.   | In.    | mm.   | In.    | mm.   |
| 09   | .850   | 21.59 | .370   | 9.40  | .565  | 14.35 | .500   | 12.70 | .350   | 8.89  | .410   | 10.41 |
| 15   | 1.000  | 25.40 | .370   | 9.40  | .715  | 18.16 | .620   | 15.75 | .470   | 11.94 | .580   | 14.73 |
| 21   | 1.150  | 29.21 | .370   | 9.40  | .865  | 21.97 | .740   | 18.80 | .590   | 14.99 | .740   | 18.80 |
| 25   | 1.250  | 31.75 | .370   | 9.40  | .965  | 24.51 | .800   | 20.32 | .650   | 16.51 | .850   | 21.59 |
| 31   | 1.400  | 35.56 | .370   | 9.40  | 1.115 | 28.32 | .860   | 21.84 | .710   | 18.03 | .980   | 24.89 |
| 37   | 1.550  | 39.37 | .370   | 9.40  | 1.265 | 32.13 | .900   | 22.86 | .750   | 19.05 | 1.130  | 28.70 |
| 51   | 1.500  | 38.10 | .410   | 10.41 | 1.215 | 30.86 | .930   | 23.62 | .780   | 19.81 | 1.080  | 27.43 |
| 51-2 | 1.910  | 48.51 | .370   | 9.40  | 1.615 | 41.02 | .930   | 23.62 | .780   | 19.81 | 1.510  | 38.35 |
| 67   | 2.310  | 58.67 | .370   | 9.40  | 2.015 | 51.18 | .930   | 23.62 | .780   | 19.81 | 1.880  | 47.75 |
| 69   | 1.810  | 45.97 | .410   | 10.41 | 1.515 | 38.48 | .930   | 23.62 | .780   | 19.81 | 1.380  | 35.05 |
| 100  | 2.235  | 56.77 | .460   | 11.68 | 1.800 | 45.72 | .990   | 25.15 | .840   | 21.34 | 1.470  | 37.34 |