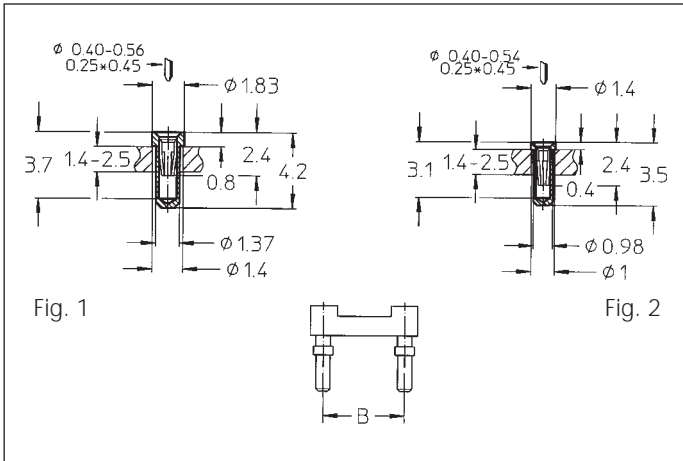


Series 614

Dual-in-line pin carrier assemblies
Low profile / low profile ultra thin
Solder tail

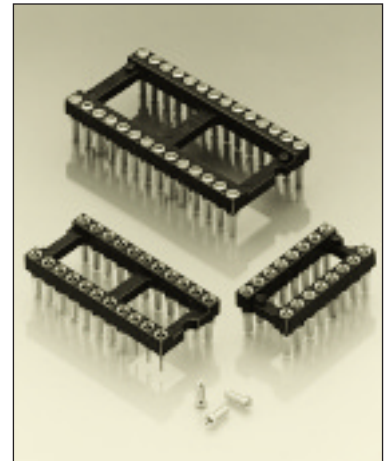





Pin carrier assemblies assure maximum ventilation and better visibility for inspection and repair

Easy mounting due to the disposable plastic carrier. No solder or flux wicking problems

Low profile:
Insertion characteristics:
4-finger standard

Low profile ultra thin:
Requires 1 mm diameter holes in PCB.
Insertion characteristics:
3-finger



Platings	Sleeve 	Clip 	Pin 
91	5 µm Sn Pb	0.25 µm Au	
93	5 µm Sn Pb	0.75 µm Au	
99	5 µm Sn Pb	5 µm Sn Pb	

Ordering information

For standard versions see table (order codes)

Platings available:

Low profile: 614...-41-001: 91, 93, 99

Ultra thin: 614...-31-012: 91, 93, 99

Replace xx with required plating code

No. of poles	Order Codes				Insulator dimensions	Insulator dimensions		
	Platings: see ordering information					A	B	C
	Fig. 1	Fig. 2			See page 50			
10	614-xx-210-41-001	614-xx-210-31-012			Fig. 1	12.6	5.08	7.6
4	614-xx-304-41-001	614-xx-304-31-012			Fig. 2	5.0	7.62	10.1
6	614-xx-306-41-001	614-xx-306-31-012			Fig. 3	7.6	7.62	10.1
8	614-xx-308-41-001	614-xx-308-31-012			Fig. 4	10.1	7.62	10.1
10	614-xx-310-41-001	614-xx-310-31-012			Fig. 5	12.6	7.62	10.1
12	614-xx-312-41-001	614-xx-312-31-012			Fig. 5a	15.2	7.62	10.1
14	614-xx-314-41-001	614-xx-314-31-012			Fig. 6	17.7	7.62	10.1
16	614-xx-316-41-001	614-xx-316-31-012			Fig. 7	20.3	7.62	10.1
18	614-xx-318-41-001	614-xx-318-31-012			Fig. 8	22.8	7.62	10.1
20	614-xx-320-41-001	614-xx-320-31-012			Fig. 9	25.3	7.62	10.1
22	614-xx-322-41-001	614-xx-322-31-012			Fig. 10	27.8	7.62	10.1
24	614-xx-324-41-001	614-xx-324-31-012			Fig. 11	30.4	7.62	10.1
28	614-xx-328-41-001	614-xx-328-31-012			Fig. 12	35.5	7.62	10.1
20	614-xx-420-41-001	614-xx-420-31-012			Fig. 12a	25.3	10.16	12.6
22	614-xx-422-41-001	614-xx-422-31-012			Fig. 13	27.8	10.16	12.6
24	614-xx-424-41-001	614-xx-424-31-012			Fig. 14	30.4	10.16	12.6
28	614-xx-428-41-001	614-xx-428-31-012			Fig. 15	35.5	10.16	12.6
32	614-xx-432-41-001	614-xx-432-31-012			Fig. 16	40.6	10.16	12.6
10	614-xx-610-41-001	614-xx-610-31-012			Fig. 16a	12.6	15.24	17.7
24	614-xx-624-41-001	614-xx-624-31-012			Fig. 17	30.4	15.24	17.7
28	614-xx-628-41-001	614-xx-628-31-012			Fig. 18	35.5	15.24	17.7
32	614-xx-632-41-001	614-xx-632-31-012			Fig. 19	40.6	15.24	17.7
36	614-xx-636-41-001	614-xx-636-31-012			Fig. 20	45.7	15.24	17.7
40	614-xx-640-41-001	614-xx-640-31-012			Fig. 21	50.6	15.24	17.7
42	614-xx-642-41-001	614-xx-642-31-012			Fig. 22	53.2	15.24	17.7
48	614-xx-648-41-001	614-xx-648-31-012			Fig. 23	60.9	15.24	17.7
50	614-xx-650-41-001	614-xx-650-31-012			Fig. 24	63.4	15.24	17.7
52	614-xx-652-41-001	614-xx-652-31-012			Fig. 25	65.9	15.24	17.7
50	614-xx-950-41-001	614-xx-950-31-012			Fig. 26	63.4	22.86	25.3
52	614-xx-952-41-001	614-xx-952-31-012			Fig. 27	65.9	22.86	25.3
64	614-xx-964-41-001	614-xx-964-31-012			Fig. 28	81.1	22.86	25.3