

# Eurosocket

Type C (Rows A & C, A & B or A, B & C Filled)

62CXX Series



- DIN 41612 compatible
- High density (64 & 96 position)
- Mates with DIN 41612 Type C headers
- High reliability contact design
- Can be daisy-chained or end terminated to flat cable
- Optional strain relief with handle
- Individual connector coding with 3435-1 keying plug

Date Modified: February 19, 1999

TS-0813-01  
Sheet 1 of 4

41

## Physical

### Insulation

Material: Glass Filled Polyester (PBT)  
Flammability: UL 94V-0  
Color: Gray

### Contact

Material: Copper Alloy  
Plating  
Underplate: 50  $\mu$ " [ 1.27  $\mu$  m ] Nickel—QQ-N-290, Class 2  
Wiping Area: 20  $\mu$ " [ 0.50  $\mu$  m ] Gold—MIL-G-45204, Type II, Grade C  
(For additional plating options see Ordering Information)

Marking: 3M Logo, Part Identification & Contact Position Numbers

Wire Accommodation: Stranded or Solid: 26 & 28 AWG, Solid: 30 AWG

## Electrical

Current Rating: 1 A  
Insulation Resistance:  $>1 \times 10^9 \Omega$  at 500 Vdc  
Withstanding Voltage: 1000 Vrms at Sea Level

## Environmental

Temperature Rating:  $-55^\circ\text{C}$  to  $+125^\circ\text{C}$

UL File No.: E68080

### 3M Interconnect Solutions Division

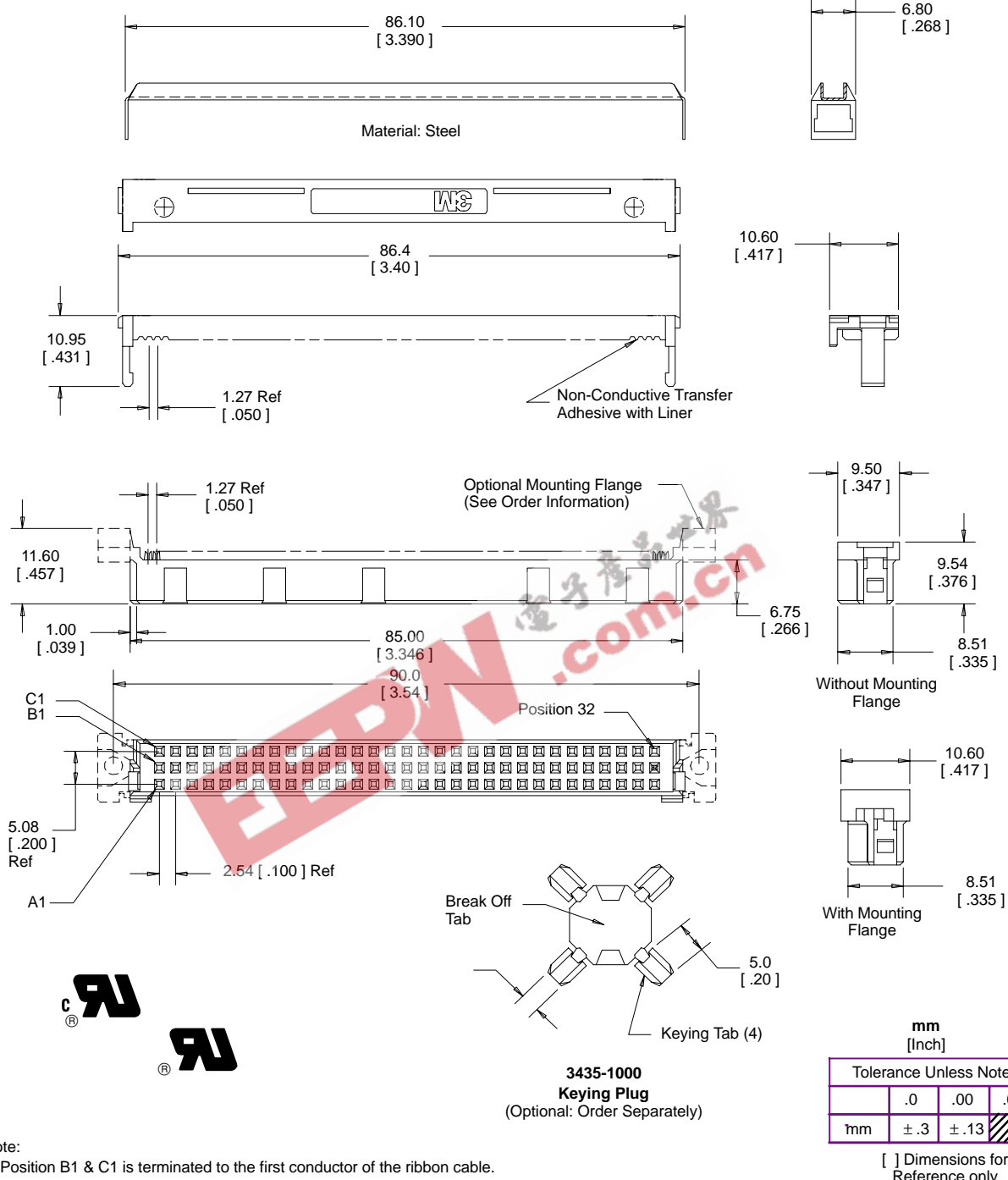
6801 River Place Blvd.  
Austin, TX 78726-9000

For technical, sales or ordering information call  
**800-225-5373**

# Eurosocket

Type C (Rows A & C, A & B or A, B & C Filled)

62CXX Series



## Ordering Information

**Socket**  
**62C64-1X0XXX**

**Strain Relief**  
**(Order Separately)**  
**3448-6201**

Row of Contacts:  
0 = A and B  
1 = A and C

Mounting Flange Style:  
0 = without  
1 = with

Optional Plating:  
ED = 50 μ" [ 1.27 μ m ]  
EC = 30 μ" [ 0.76 μ m ]  
EF = 20 μ" [ 0.50 μ m ]  
EJ = 5 μ" [ 0.13 μ m ]

TS-0813-01  
Sheet 2 of 4

## 3M Interconnect Solutions Division

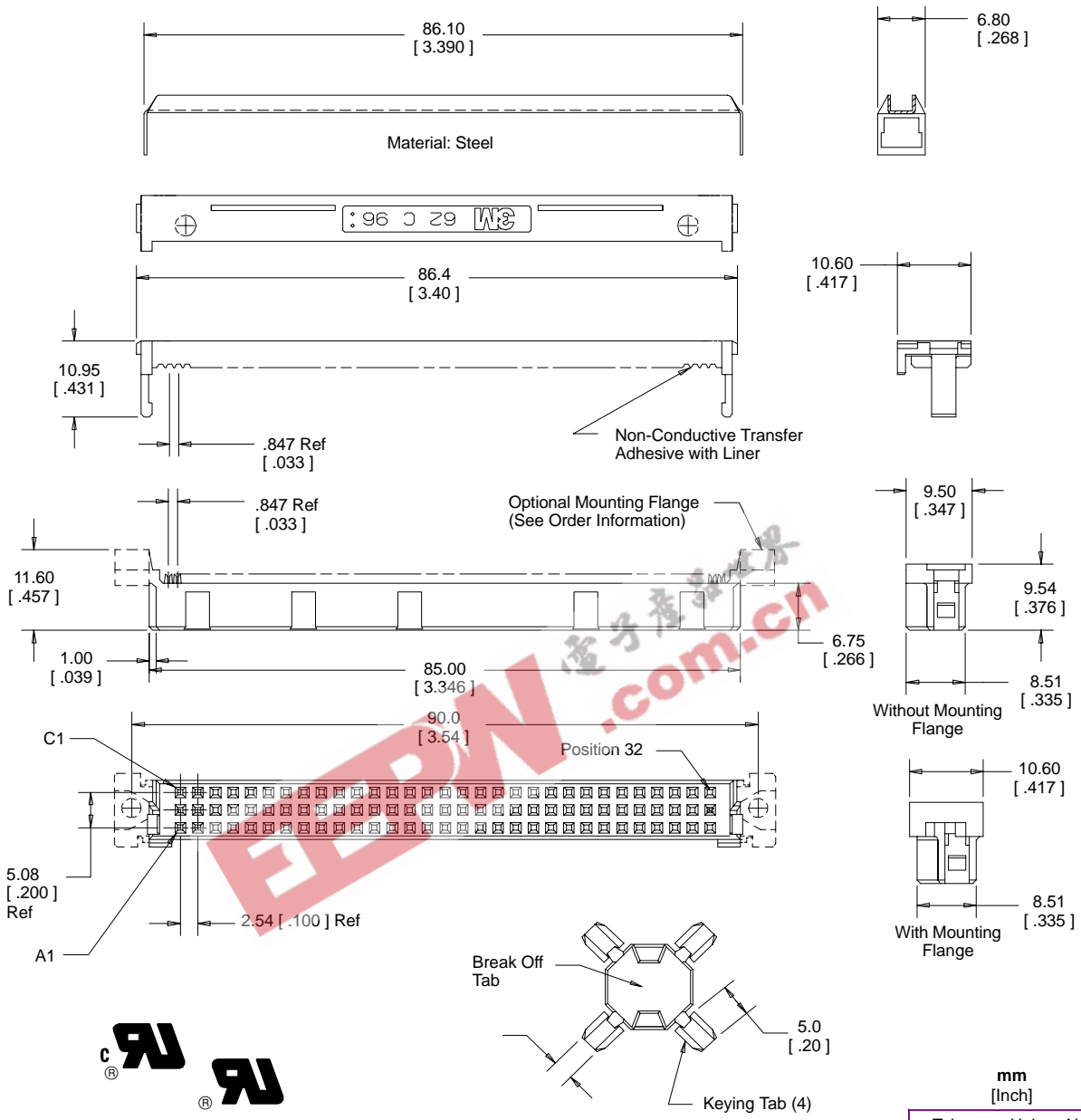
6801 River Place Blvd.  
Austin, TX 78726-9000

For technical, sales or ordering information call  
**800-225-5373**

# Eurosocket

Type C (Rows A & C, A & B or A, B & C Filled)

62CXX Series



Note:  
1. Position C1 is terminated to the first conductor of the ribbon cable.

mm [Inch]			
Tolerance Unless Noted			
	.0	.00	.000
mm	±.3	±.13	

[ ] Dimensions for Reference only

## Ordering Information

**Socket**  
**62C96-120XXX**

**Strain Relief**  
(Order Separately)  
**3448-6201**

Mounting Style:  
0 = without Mounting Flange  
1 = with Mounting Flange

Optional Plating:  
ED = 50 μ" [ 1.27 μ m ]  
EC = 30 μ" [ 0.76 μ m ]  
EF = 20 μ" [ 0.50 μ m ]  
EJ = 5 μ" [ 0.13 μ m ]

TS-0813-01  
Sheet 3 of 4

## 3M Interconnect Solutions Division

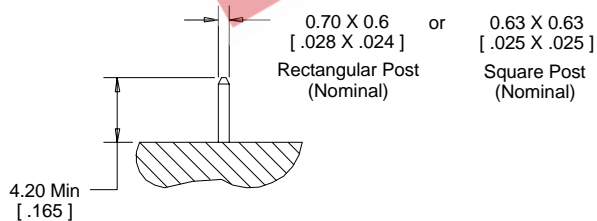
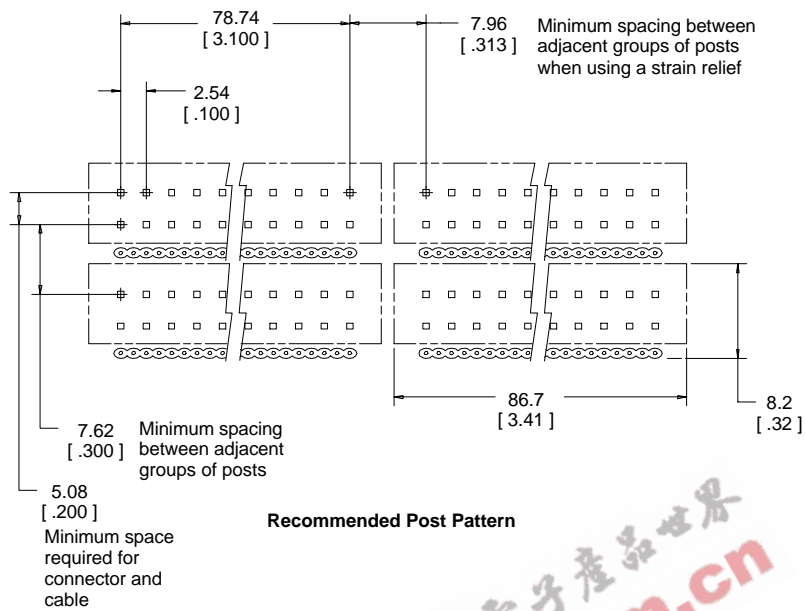
6801 River Place Blvd.  
Austin, TX 78726-9000

For technical, sales or ordering information call  
**800-225-5373**

# Eurosocket

## Type C (Rows A & C, A & B or A, B & C Filled)

62CXX Series



mm [Inch]			
Tolerance Unless Noted			
	.0	.00	.000
mm	±.3	±.13	

[ ] Dimensions for Reference only

**Note:**

1. Ends of posts to be located within 0.25 [ .01 ] TPD at post end.

TS-0813-01  
Sheet 4 of 4

### 3M Interconnect Solutions Division

6801 River Place Blvd.  
Austin, TX 78726-9000

For technical, sales or ordering information call  
**800-225-5373**