

MODELS 627, 628

.220" Small Outline

Dual-In-Line

Thick Film

Surface Mount

Resistor Networks



ELECTRICAL

Standard Resistance Range, Ohms	10 to 1Meg (Plus "0 Ohm" Jumper)
Standard Resistance Tolerance, at 25°C	±2% (<33 Ohms = ±10hm) (Optional: F Tol. = ±1%)
Operating Temperature Range	-55°C to +125°C
Temperature Coefficient of Resistance	±100ppm/°C (<100 Ohms = ±250ppm/°C)
Temperature Coefficient of Resistance, Tracking	±50ppm/°C
Maximum Operating Voltage	50Vdc or √PR
Insulation Resistance	≥10,000 Megohms

4

ENVIRONMENTAL

Thermal Shock plus Power Conditioning	ΔR 0.70%
Short Time Overload	ΔR 0.25%
Moisture Resistance	ΔR 0.50%
Mechanical Shock	ΔR 0.25%
Vibration	ΔR 0.25%
Low Temperature Operation	ΔR 0.25%
High Temperature Exposure	ΔR 0.50%
Load Life, 2,000 Hours (≤330hms = ±0.5 Ohm)	ΔR 0.50%
Resistance to Solder Heat (Total immersion in solder at 280°C for 10 sec.)	ΔR 0.25%
Dielectric Withstanding Voltage	200V for 1 minute
Temperature Exposure, Maximum	215°C for 3 minutes
Marking Permanency	MIL-STD-202, Method 215
Lead Solderability	MIL-STD-202, Method 208
Flammability	UL-94V-0 Rated
Storage Temperature Range	-55°C to +150°C

Specifications subject to change without notice.

MECHANICAL

Lead Material	Copper Alloy, 60/40 Tin-Lead (Dipped)
Lead Configuration	Gull Wing
Lead Coplanarity	±0.002 in. (0.051mm)
Substrate Material	Alumina
Resistor Material	Cermet
Body Material	Epoxy

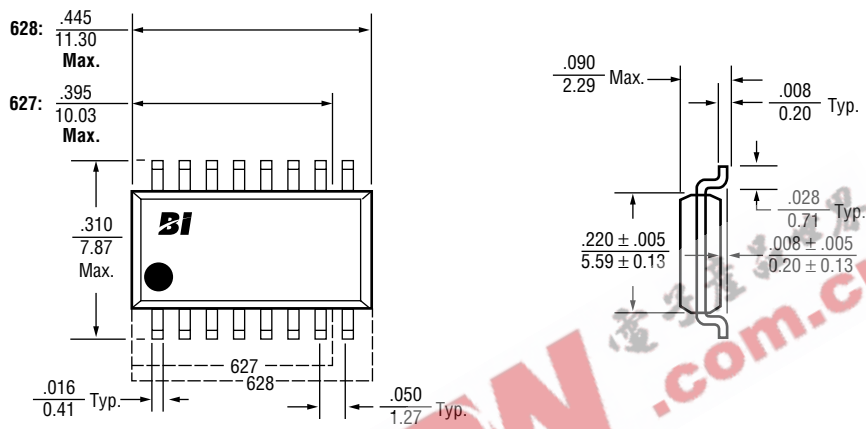
STANDARD RESISTANCE VALUES, OHMS

A Circuit (Isolated Resistors)					
Bold type represents stock standard values for 'A' circuit					
Ohms	Code	Ohms	Code	Ohms	Code
22	220	1.2K	122	39K	393
33	330	1.5K	152	47K	473
39	390	1.8K	182	56K	563
47	470	2K	202	68K	683
56	560	2.2K	222	82K	823
68	680	2.7K	272	100K	104
82	820	3.3K	332	120K	124
100	101	3.9K	392	150K	154
120	121	4.7K	472	180K	184
150	151	5.6K	562	220K	224
180	181	6.8K	682	270K	274
220	221	8.2K	822	330K	334
270	271	10K	103	390K	394
330	331	12K	123	470K	474
390	391	15K	153	560K	564
470	471	18K	183	680K	684
560	561	20K	203	820K	824
680	681	22K	223	1Meg	105
820	821	27K	273		
1K	102	33K	333		

B Circuit (Bussed Resistors)					
Bold type represents stock standard values for 'B' circuit					
Ohms	Code	Ohms	Code	Ohms	Code
22	220	1.2K	122	39K	393
33	330	1.5K	152	47K	473
39	390	1.8K	182	56K	563
47	470	2K	202	68K	683
56	560	2.2K	222	82K	823
68	680	2.7K	272	100K	104
82	820	3.3K	332	120K	124
100	101	3.9K	392	150K	154
120	121	4.7K	472	180K	184
150	151	5.6K	562	220K	224
180	181	6.8K	682	270K	274
220	221	8.2K	822	330K	334
270	271	10K	103	390K	394
330	331	12K	123	470K	474
390	391	15K	153	560K	564
470	471	18K	183	680K	684
560	561	20K	203	820K	824
680	681	22K	223	1Meg	105
820	821	27K	273		
1K	102	33K	333		

J Circuit (Dual Terminators)					
Ohms (R1/R2)	Code (R1/R2)	Marking	Ohms (R1/R2)	Code (R1/R2)	Marking
120/120	121/121	45	330/470	331/471	10
150/150	151/151	40	390/390	391/391	42
180/300	181/301	31	470/470	471/471	43
220/220	221/221	39	1K/3.3K	102/332	35
220/330	221.331	08	3K/6.2K	302/662	13
270/270	271/271	41	6.8K/22K	682/223	29
330/390	331/391	09			

OUTLINE DIMENSIONS (Inch/mm)

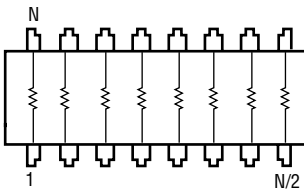


Note: Maximum allowable mold excursion = 0.006"

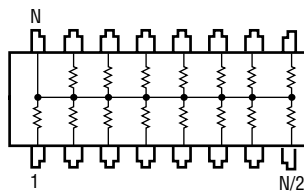
4

SCHEMATICS

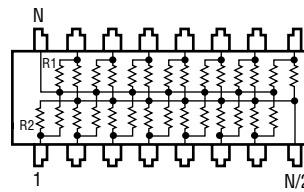
-3 Circuit Isolated Resistors



-1 Circuit Bussed Resistors

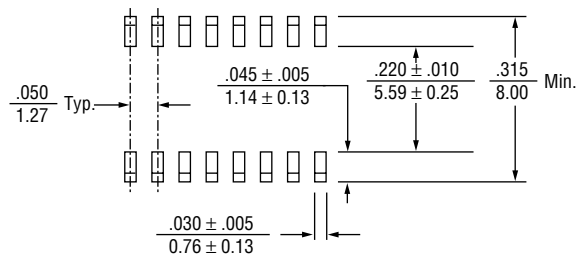


-5 Circuit Dual Terminator



Note: Model 628: N = 16 Leads, Model 627: N = 14 Leads.

SOLDER PAD LAYOUT (Inch/mm)



TYPICAL PART MARKING



POWER DISSIPATION, WATTS AT 70°C

Model	Package	— Resistor (Per Circuit) —		
		A	B	J
627	1.28	0.32	0.16	0.16
628	1.28	0.32	0.16	0.16

PACKAGING

Standard: Tape & Reel

Conforms to requirements of EIA-481.

All units oriented with lead #1 to the left of direction of feed.

Tape:	Width	=	24mm
	Pocket	=	Embossed Plastic, Antistatic
	Pitch	=	12mm
Reel:	Diameter	=	13" (330mm) Maximum
	Capacity	=	2,000 Units

Option: Magazines

Conforms to EIA and JEDEC standards.

All units oriented with lead #1 to the same side.

Magazine: Capacity	=	50 Units
--------------------	---	----------

APPLICABLE DOCUMENTS

MIL-R-914 – Resistor Networks, Fixed, Film, Surface Mount Established Reliability General Specifications

MIL-STD-105 – Sampling Procedures and Tables for Inspection by Attributes

MIL-STD-202 – Test Methods for Electronics and Electrical Component Parts

EIA-481 – Carrier Taping of Surface Mount Components for Automatic Handling

EIA-PDP-100 – SOGN-0002 Outline Dimensions

ORDERING INFORMATION

