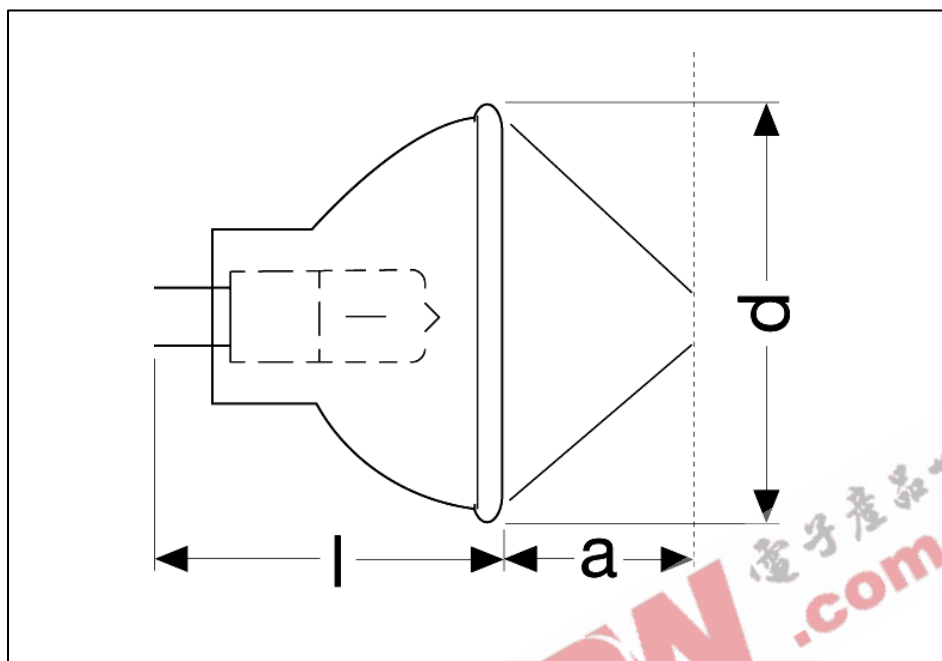


# Product Information Bulletin

## 64635 HLX

### Tungsten-Halogen Lamp



#### 64635 HLX (NAED 54162) Tungsten-Halogen Lamp

- Tungsten halogen infrared lamp (IR)
- Quartz halogen capsule
- MR 16 reflector with gold coating
- Optimised for IR output
- HLX, XENOPHOT® technology
  - Xenon gas fill
  - up to 10% more light / lumens

#### Technical Data

<b>Lamp / order reference</b> (Product ordering number)	<b>64635 HLX</b> (54162)
<b>Electrical data:</b>	
Rated lamp wattage (power)	150 W
Rated lamp voltage	15 V
<b>Geometrical data:</b>	
Length l max	45 mm
Diameter d	51 mm
Working distance a	19 mm
<b>Other data:</b>	
Average service life	50 hrs
Base	GZ 6.35
Coating	Gold
Operating position	p90

#### Application Information

##### Applications

- Heating / infrared
  - temperature at focus point approximately 1,300 °C
- Soldering
- Welding

##### WARNING

The lamp emits ultraviolet (uv) radiation and operates at high internal pressure. **Before use** read the complete warning accompanying the product.

##### Disposal

When disposing of spent lamps, always consult federal, state, local and provincial hazardous waste disposal rules and regulations to ensure proper disposal.

# OSRAM

## Ordering Information

Lamp Description	NAED Code	Standard Case Quantity
64635 HLX	54162	50/case

For Orders and  
General Information:  
**OSRAM SYLVANIA**  
National Customer  
Support Center  
18725 N. Union Street  
Westfield, IN 46074

**Photo-Optic**  
Phone: 1-888-677-2627  
Phone: 1-888-OSRAMCS  
Fax: 1-800-762-7192

**Special Markets**  
Phone: 1-800-762-7191  
Fax: 1-800-762-7192

**Industrial and Commercial**  
Phone: 1-800-255-5042  
Fax: 1-800-255-5043

**In Canada**  
**OSRAM SYLVANIA LTD.**  
Headquarters  
2001 Drew Road  
Mississauga, ON L5S 1S4

**Industrial and Commercial**  
Phone: 1-800-263-2852  
Fax: 1-800-667-6772

**Special Markets**  
Phone: 1-800-265-2852  
Fax: 1-800-667-6772

Visit our website: [www.sylvania.com](http://www.sylvania.com)

EEPW 电子产品世界  
.com.cn

**OSRAM**  
**SYLVANIA**