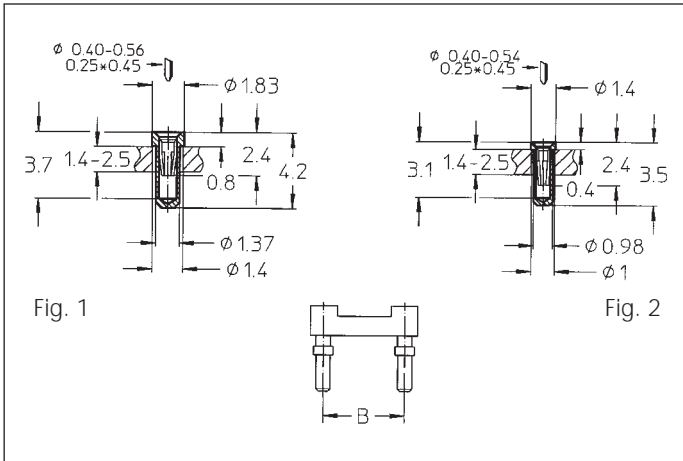


Series 614

Dual-in-line pin carrier assemblies
Low profile / low profile ultra thin
Solder tail

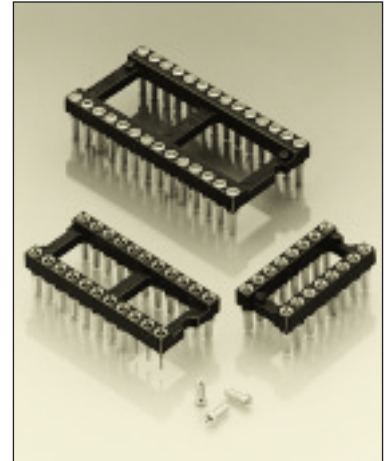





Pin carrier assemblies assure maximum ventilation and better visibility for inspection and repair

Easy mounting due to the disposable plastic carrier. No solder or flux wicking problems

Low profile:
Insertion characteristics:
4-finger standard

Low profile ultra thin:
Requires 1 mm diameter holes in PCB.
Insertion characteristics:
3-finger



| Platings | Sleeve  | Clip  | Pin  |
|----------|--|--|---|
| 91 | 5 µm Sn Pb | 0.25 µm Au | |
| 93 | 5 µm Sn Pb | 0.75 µm Au | |
| 99 | 5 µm Sn Pb | 5 µm Sn Pb | |

Ordering information

For standard versions see table (order codes)

Platings available:

Low profile: 614...-41-001: 91, 93, 99

Ultra thin: 614...-31-012: 91, 93, 99

Replace xx with required plating code

| No. of poles | Order Codes | | | | Insulator dimensions | Insulator dimensions | | |
|--------------|------------------------------------|-------------------|--|--|----------------------|----------------------|-------|------|
| | Platings: see ordering information | | | | | See page 50 | A | B |
| | Fig. 1 | Fig. 2 | | | | | | |
| 10 | 614-xx-210-41-001 | 614-xx-210-31-012 | | | Fig. 1 | 12.6 | 5.08 | 7.6 |
| 4 | 614-xx-304-41-001 | 614-xx-304-31-012 | | | Fig. 2 | 5.0 | 7.62 | 10.1 |
| 6 | 614-xx-306-41-001 | 614-xx-306-31-012 | | | Fig. 3 | 7.6 | 7.62 | 10.1 |
| 8 | 614-xx-308-41-001 | 614-xx-308-31-012 | | | Fig. 4 | 10.1 | 7.62 | 10.1 |
| 10 | 614-xx-310-41-001 | 614-xx-310-31-012 | | | Fig. 5 | 12.6 | 7.62 | 10.1 |
| 12 | 614-xx-312-41-001 | 614-xx-312-31-012 | | | Fig. 5a | 15.2 | 7.62 | 10.1 |
| 14 | 614-xx-314-41-001 | 614-xx-314-31-012 | | | Fig. 6 | 17.7 | 7.62 | 10.1 |
| 16 | 614-xx-316-41-001 | 614-xx-316-31-012 | | | Fig. 7 | 20.3 | 7.62 | 10.1 |
| 18 | 614-xx-318-41-001 | 614-xx-318-31-012 | | | Fig. 8 | 22.8 | 7.62 | 10.1 |
| 20 | 614-xx-320-41-001 | 614-xx-320-31-012 | | | Fig. 9 | 25.3 | 7.62 | 10.1 |
| 22 | 614-xx-322-41-001 | 614-xx-322-31-012 | | | Fig. 10 | 27.8 | 7.62 | 10.1 |
| 24 | 614-xx-324-41-001 | 614-xx-324-31-012 | | | Fig. 11 | 30.4 | 7.62 | 10.1 |
| 28 | 614-xx-328-41-001 | 614-xx-328-31-012 | | | Fig. 12 | 35.5 | 7.62 | 10.1 |
| 20 | 614-xx-420-41-001 | 614-xx-420-31-012 | | | Fig. 12a | 25.3 | 10.16 | 12.6 |
| 22 | 614-xx-422-41-001 | 614-xx-422-31-012 | | | Fig. 13 | 27.8 | 10.16 | 12.6 |
| 24 | 614-xx-424-41-001 | 614-xx-424-31-012 | | | Fig. 14 | 30.4 | 10.16 | 12.6 |
| 28 | 614-xx-428-41-001 | 614-xx-428-31-012 | | | Fig. 15 | 35.5 | 10.16 | 12.6 |
| 32 | 614-xx-432-41-001 | 614-xx-432-31-012 | | | Fig. 16 | 40.6 | 10.16 | 12.6 |
| 10 | 614-xx-610-41-001 | 614-xx-610-31-012 | | | Fig. 16a | 12.6 | 15.24 | 17.7 |
| 24 | 614-xx-624-41-001 | 614-xx-624-31-012 | | | Fig. 17 | 30.4 | 15.24 | 17.7 |
| 28 | 614-xx-628-41-001 | 614-xx-628-31-012 | | | Fig. 18 | 35.5 | 15.24 | 17.7 |
| 32 | 614-xx-632-41-001 | 614-xx-632-31-012 | | | Fig. 19 | 40.6 | 15.24 | 17.7 |
| 36 | 614-xx-636-41-001 | 614-xx-636-31-012 | | | Fig. 20 | 45.7 | 15.24 | 17.7 |
| 40 | 614-xx-640-41-001 | 614-xx-640-31-012 | | | Fig. 21 | 50.6 | 15.24 | 17.7 |
| 42 | 614-xx-642-41-001 | 614-xx-642-31-012 | | | Fig. 22 | 53.2 | 15.24 | 17.7 |
| 48 | 614-xx-648-41-001 | 614-xx-648-31-012 | | | Fig. 23 | 60.9 | 15.24 | 17.7 |
| 50 | 614-xx-650-41-001 | 614-xx-650-31-012 | | | Fig. 24 | 63.4 | 15.24 | 17.7 |
| 52 | 614-xx-652-41-001 | 614-xx-652-31-012 | | | Fig. 25 | 65.9 | 15.24 | 17.7 |
| 50 | 614-xx-950-41-001 | 614-xx-950-31-012 | | | Fig. 26 | 63.4 | 22.86 | 25.3 |
| 52 | 614-xx-952-41-001 | 614-xx-952-31-012 | | | Fig. 27 | 65.9 | 22.86 | 25.3 |
| 64 | 614-xx-964-41-001 | 614-xx-964-31-012 | | | Fig. 28 | 81.1 | 22.86 | 25.3 |