

MXC SERIES
105°C Standard, Snap-in Terminal Type
◆FEATURES

- Load Life : 105°C 3000 hours.
- Smaller size with higher ripple current endurance than MXR series.
- RoHS compliance.


◆SPECIFICATIONS

| Items | Characteristics | | | | | | | | | | | | | | | | | | | | | | | |
|------------------------------------|--|-------------|--------------------|-----------------------------------|--------------------|--|-----------------|------------------------------------|-------------|---------|------------------|-------------|---------|---------------|------------------|------|------|------|------|------|------|------|------|------|
| Category Temperature Range | -40~+105°C | -25~+105°C | | | | | | | | | | | | | | | | | | | | | | |
| Rated Voltage Range | 10~100V.DC | 160~450V.DC | | | | | | | | | | | | | | | | | | | | | | |
| Capacitance Tolerance | ±20% (20°C, 120Hz) | | | | | | | | | | | | | | | | | | | | | | | |
| Leakage Current(MAX) | $I=3\sqrt{CV}$ (After 5 minutes application of rated voltage) I =Leakage Current(μA) V =Rated Voltage(V) C =Rated Capacitance(μF) | | | | | | | | | | | | | | | | | | | | | | | |
| Dissipation Factor(MAX) (tan δ) | <table border="1"> <thead> <tr> <th>Rated Voltage (V)</th> <th>10</th> <th>16</th> <th>25</th> <th>35</th> <th>50</th> <th>63</th> <th>80</th> <th>100</th> <th>160~420~400</th> <th>420~450</th> </tr> </thead> <tbody> <tr> <td>(20°C, 120Hz)</td> <td>0.55</td> <td>0.50</td> <td>0.45</td> <td>0.40</td> <td>0.35</td> <td>0.30</td> <td>0.25</td> <td>0.20</td> <td>0.15</td> <td>0.20</td> </tr> </tbody> </table> | | Rated Voltage (V) | 10 | 16 | 25 | 35 | 50 | 63 | 80 | 100 | 160~420~400 | 420~450 | (20°C, 120Hz) | 0.55 | 0.50 | 0.45 | 0.40 | 0.35 | 0.30 | 0.25 | 0.20 | 0.15 | 0.20 |
| Rated Voltage (V) | 10 | 16 | 25 | 35 | 50 | 63 | 80 | 100 | 160~420~400 | 420~450 | | | | | | | | | | | | | | |
| (20°C, 120Hz) | 0.55 | 0.50 | 0.45 | 0.40 | 0.35 | 0.30 | 0.25 | 0.20 | 0.15 | 0.20 | | | | | | | | | | | | | | |
| Impedance Ratio(MAX) | <table border="1"> <thead> <tr> <th>Rated Voltage (V)</th> <th>10~100</th> <th>160~250</th> <th>315~450</th> </tr> </thead> <tbody> <tr> <td>(120Hz)</td> <td></td> <td></td> <td></td> </tr> <tr> <td>Z(-25°C)/Z(20°C)</td> <td>3</td> <td>3</td> <td>8</td> </tr> <tr> <td>Z(-40°C)/Z(20°C)</td> <td>12</td> <td></td> <td></td> </tr> </tbody> </table> | | Rated Voltage (V) | 10~100 | 160~250 | 315~450 | (120Hz) | | | | Z(-25°C)/Z(20°C) | 3 | 3 | 8 | Z(-40°C)/Z(20°C) | 12 | | | | | | | | |
| Rated Voltage (V) | 10~100 | 160~250 | 315~450 | | | | | | | | | | | | | | | | | | | | | |
| (120Hz) | | | | | | | | | | | | | | | | | | | | | | | | |
| Z(-25°C)/Z(20°C) | 3 | 3 | 8 | | | | | | | | | | | | | | | | | | | | | |
| Z(-40°C)/Z(20°C) | 12 | | | | | | | | | | | | | | | | | | | | | | | |
| Endurance | After applying rated voltage with rated ripple current for 3000hrs at 105°C, the capacitors shall meet the following requirements. <table border="1"> <tbody> <tr> <td>Capacitance Change</td> <td>Within ±20% of the initial value.</td> </tr> <tr> <td>Dissipation Factor</td> <td>Not more than 200% of the specified value.</td> </tr> <tr> <td>Leakage Current</td> <td>Not more than the specified value.</td> </tr> </tbody> </table> | | Capacitance Change | Within ±20% of the initial value. | Dissipation Factor | Not more than 200% of the specified value. | Leakage Current | Not more than the specified value. | | | | | | | | | | | | | | | | |
| Capacitance Change | Within ±20% of the initial value. | | | | | | | | | | | | | | | | | | | | | | | |
| Dissipation Factor | Not more than 200% of the specified value. | | | | | | | | | | | | | | | | | | | | | | | |
| Leakage Current | Not more than the specified value. | | | | | | | | | | | | | | | | | | | | | | | |

◆MULTIPLIER FOR RIPPLE CURRENT

Frequency coefficient

| Frequency (Hz) | | 60 (50) | 120 | 500 | 1k | 10k≤ |
|----------------|-----------|---------|------|------|------|------|
| Coefficient | 10~100WV | 0.90 | 1.00 | 1.05 | 1.10 | 1.15 |
| | 160~250WV | 0.80 | 1.00 | 1.20 | 1.30 | 1.50 |
| | 315~450WV | 0.80 | 1.00 | 1.20 | 1.25 | 1.40 |

◆PART NUMBER

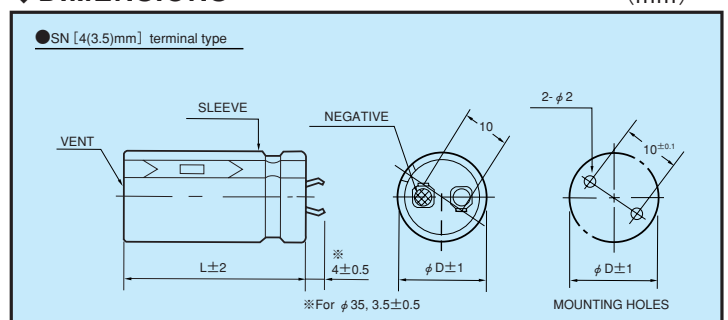
| | | | | | | |
|---------------|--------|-------------------|-----------------------|--------|---------------|-----------|
| □□□ | MXC | □□□□□ | □ | OOE | SN | D×L |
| Rated Voltage | Series | Rated Capacitance | Capacitance Tolerance | Option | Terminal Code | Case Size |

◆Option

| | Code |
|---------------|-------|
| without plate | OOE |
| with plate | Blank |

◆DIMENSIONS

(mm)



◆ STANDARD SIZE, RATED RIPPLE CURRENT

| Cap (μ F) | WV ϕ D | 10 | | | | | 16 | | | | |
|-------------------|----------------|-------------|-------------|-------------|-------------|-------------|-------------|-------------|-------------|-------------|-------------|
| | | ϕ 20 | ϕ 22 | ϕ 25 | ϕ 30 | ϕ 35 | ϕ 20 | ϕ 22 | ϕ 25 | ϕ 30 | ϕ 35 |
| 6800 | | 20×25; 1.31 | | | | | 20×25; 1.80 | | | | |
| 8200 | | 20×30; 1.59 | | | | | 20×30; 2.08 | 22×25; 2.08 | | | |
| 10000 | | 20×30; 1.88 | 22×25; 1.77 | | | | 20×35; 2.15 | 22×30; 2.15 | | | |
| 12000 | | 20×35; 2.18 | 22×30; 2.10 | 25×25; 1.94 | | | 20×40; 2.31 | 22×30; 2.31 | 25×25; 2.31 | | |
| 15000 | | 20×40; 2.27 | 22×35; 2.23 | 25×30; 2.10 | | | | 22×35; 2.68 | 25×30; 2.68 | | |
| 18000 | | | 22×40; 2.41 | 25×30; 2.34 | 30×25; 2.25 | | | 22×40; 3.20 | 25×30; 3.20 | 30×25; 3.20 | |
| 22000 | | | 22×45; 2.58 | 25×35; 2.54 | 30×30; 2.50 | | | 22×45; 3.36 | 25×35; 3.36 | 30×30; 3.36 | |
| 27000 | | | 22×50; 3.17 | 25×40; 3.07 | 30×30; 2.95 | | | 22×50; 3.85 | 25×40; 3.85 | 30×30; 3.85 | |
| 33000 | | | | 25×45; 3.39 | 30×35; 3.33 | 35×30; 3.21 | | | 25×45; 4.30 | 30×35; 4.30 | 35×30; 4.30 |
| 39000 | | | | | 30×40; 3.70 | 35×35; 3.68 | | | 25×50; 4.81 | 30×40; 4.81 | 35×35; 4.81 |
| 47000 | | | | | 30×45; 4.22 | 35×40; 4.16 | | | | 30×45; 5.53 | 35×40; 5.53 |
| 56000 | | | | | | 35×45; 5.00 | | | | 30×50; 6.00 | 35×45; 6.00 |
| 68000 | | | | | | | | | | 35×50; 6.40 | |

| Cap (μ F) | WV ϕ D | 25 | | | | | 35 | | | | |
|-------------------|----------------|-------------|-------------|-------------|-------------|-------------|-------------|-------------|-------------|-------------|-----------|
| | | ϕ 20 | ϕ 22 | ϕ 25 | ϕ 30 | ϕ 35 | ϕ 20 | ϕ 22 | ϕ 25 | ϕ 30 | ϕ 35 |
| 2700 | | | | | | | 20×25; 1.29 | | | | |
| 3300 | | | | | | | 20×30; 1.57 | | | | |
| 3900 | | | | | | | 20×30; 1.78 | 22×25; 1.78 | | | |
| 4700 | | 20×25; 1.65 | | | | | 20×35; 2.02 | 22×30; 2.02 | | | |
| 5600 | | 20×30; 1.85 | 22×25; 1.85 | | | | 20×40; 2.13 | 22×35; 2.13 | 25×25; 2.13 | | |
| 6800 | | 20×35; 2.11 | 22×30; 2.11 | | | | | 22×40; 2.41 | 25×30; 2.41 | | |
| 8200 | | 20×40; 2.34 | 22×30; 2.34 | 25×25; 2.34 | | | | 22×45; 2.85 | 25×35; 2.85 | 30×25; 2.85 | |
| 10000 | | | 22×35; 2.65 | 25×30; 2.65 | | | | 22×50; 3.05 | 25×40; 3.05 | 30×30; 3.05 | |
| 12000 | | | 22×40; 2.81 | 25×30; 2.81 | 30×25; 2.81 | | | 25×45; 3.37 | 30×35; 3.37 | 35×30; 3.37 | |
| 15000 | | | 22×45; 3.13 | 25×35; 3.13 | 30×30; 3.13 | | | 25×50; 3.72 | 30×40; 3.72 | 35×35; 3.72 | |
| 18000 | | | | 25×40; 3.56 | 30×30; 3.56 | | | | 30×45; 4.37 | 35×35; 4.37 | |
| 22000 | | | | 25×50; 4.04 | 30×35; 4.04 | 35×30; 4.04 | | | 30×50; 4.92 | 35×40; 4.92 | |
| 27000 | | | | | 30×40; 4.74 | 35×35; 4.74 | | | | 35×50; 5.30 | |
| 33000 | | | | | 30×50; 5.50 | 35×40; 5.50 | | | | | |
| 39000 | | | | | | 35×45; 5.80 | | | | | |
| 47000 | | | | | | 35×50; 6.30 | | | | | |

| Cap (μ F) | WV ϕ D | 50 | | | | | 63 | | | | |
|-------------------|----------------|-------------|-------------|-------------|-------------|-------------|-------------|-------------|-------------|-------------|-------------|
| | | ϕ 20 | ϕ 22 | ϕ 25 | ϕ 30 | ϕ 35 | ϕ 20 | ϕ 22 | ϕ 25 | ϕ 30 | ϕ 35 |
| 1200 | | | | | | | 20×25; 1.20 | | | | |
| 1500 | | | | | | | 20×30; 1.47 | 22×25; 1.47 | | | |
| 1800 | | 20×25; 1.39 | | | | | 20×35; 1.58 | 22×30; 1.58 | | | |
| 2200 | | 20×30; 1.60 | 22×25; 1.60 | | | | 20×40; 1.82 | 22×35; 1.82 | 25×25; 1.82 | | |
| 2700 | | 20×35; 1.73 | 22×30; 1.73 | 25×25; 1.73 | | | | 22×35; 2.11 | 25×30; 2.11 | | |
| 3300 | | 20×40; 1.97 | 22×35; 1.97 | 25×30; 1.97 | | | | 22×45; 2.33 | 25×35; 2.33 | 30×25; 2.33 | |
| 3900 | | | 22×40; 2.22 | 25×30; 2.22 | | | | 22×50; 2.55 | 25×40; 2.55 | 30×30; 2.55 | |
| 4700 | | | 22×45; 2.43 | 25×35; 2.43 | 30×25; 2.43 | | | | 25×45; 2.97 | 30×35; 2.97 | |
| 5600 | | | 22×50; 2.75 | 25×40; 2.75 | 30×30; 2.75 | | | | 25×50; 3.22 | 30×35; 3.22 | 35×30; 3.22 |
| 6800 | | | | 25×45; 3.30 | 30×35; 3.30 | | | | | 30×40; 3.65 | 35×35; 3.65 |
| 8200 | | | | 25×50; 3.60 | 30×40; 3.60 | 35×30; 3.60 | | | | 30×50; 4.04 | 35×40; 4.04 |
| 10000 | | | | | 30×45; 4.05 | 35×35; 4.05 | | | | | 35×45; 4.48 |
| 12000 | | | | | 30×50; 4.56 | 35×40; 4.56 | | | | | 35×50; 4.75 |
| 15000 | | | | | | 35×50; 4.77 | | | | | |

| Cap (μ F) | WV ϕ D | 80 | | | | | 100 | | | | |
|-------------------|----------------|-------------|-------------|-------------|-------------|-------------|-------------|-------------|-------------|-------------|-------------|
| | | ϕ 20 | ϕ 22 | ϕ 25 | ϕ 30 | ϕ 35 | ϕ 20 | ϕ 22 | ϕ 25 | ϕ 30 | ϕ 35 |
| 560 | | | | | | | 20×25; 0.95 | | | | |
| 680 | | | | | | | 20×30; 1.15 | 22×25; 1.15 | | | |
| 820 | | 20×25; 1.04 | | | | | 20×35; 1.32 | 22×30; 1.32 | | | |
| 1000 | | 20×30; 1.24 | 22×25; 1.24 | | | | 20×35; 1.47 | 22×30; 1.47 | 25×25; 1.47 | | |
| 1200 | | 20×35; 1.44 | 22×30; 1.44 | | | | 20×40; 1.69 | 22×35; 1.69 | 25×30; 1.69 | | |
| 1500 | | 20×35; 1.59 | 22×30; 1.59 | 25×25; 1.59 | | | | 22×40; 1.98 | 25×35; 1.98 | 30×25; 1.98 | |
| 1800 | | 20×40; 1.79 | 22×35; 1.79 | 25×30; 1.79 | | | | 22×45; 2.23 | 25×35; 2.23 | 30×30; 2.23 | |
| 2200 | | | 22×40; 2.03 | 25×30; 2.03 | 30×25; 2.03 | | | | 25×45; 2.55 | 30×35; 2.55 | 35×30; 2.55 |
| 2700 | | | 22×45; 2.39 | 25×35; 2.39 | 30×30; 2.39 | | | | 25×50; 2.89 | 30×40; 2.89 | 35×30; 2.89 |
| 3300 | | | | 25×40; 2.64 | 30×35; 2.64 | | | | | 30×45; 3.30 | 35×35; 3.30 |
| 3900 | | | | 25×50; 2.97 | 30×35; 2.97 | 35×30; 2.97 | | | | 30×50; 3.67 | 35×40; 3.67 |
| 4700 | | | | | 30×40; 3.38 | 35×35; 3.38 | | | | | 35×45; 3.80 |
| 5600 | | | | | 30×45; 3.80 | 35×40; 3.80 | | | | | 35×50; 4.05 |
| 6800 | | | | | | 35×45; 4.10 | | | | | |
| 8200 | | | | | | 35×50; 4.30 | | | | | |

↑ Ripple Current (A r.m.s./120Hz, 105°C)
 Case Size ϕ D×L(mm)

◆ STANDARD SIZE, RATED RIPPLE CURRENT

| Cap (μ F) | WV ϕ D | 160 | | | | | 180 | | | | |
|-------------------|----------------|-------------|-------------|-------------|-------------|-------------|-------------|-------------|-------------|-------------|-------------|
| | | ϕ 20 | ϕ 22 | ϕ 25 | ϕ 30 | ϕ 35 | ϕ 20 | ϕ 22 | ϕ 25 | ϕ 30 | ϕ 35 |
| 270 | | 20×25; 1.10 | | | | | 20×25; 0.93 | | | | |
| 330 | | 20×30; 1.20 | 22×25; 1.21 | | | | 20×30; 1.20 | 22×25; 1.20 | | | |
| 390 | | 20×30; 1.24 | 22×25; 1.30 | | | | 20×35; 1.30 | 22×30; 1.35 | | | |
| 470 | | 20×35; 1.42 | 22×30; 1.41 | | | | 20×40; 1.40 | 22×35; 1.42 | 25×25; 1.38 | | |
| 560 | | 20×40; 1.57 | 22×35; 1.54 | 25×25; 1.51 | | | 20×45; 1.55 | 22×40; 1.60 | 25×30; 1.55 | | |
| 680 | | 20×45; 1.70 | 22×40; 1.74 | 25×30; 1.74 | 30×25; 1.74 | | | 22×45; 1.78 | 25×35; 1.78 | 30×25; 1.55 | |
| 820 | | | 22×45; 2.00 | 25×35; 2.00 | 30×30; 2.00 | | | 22×50; 2.00 | 25×40; 2.00 | 30×30; 2.00 | 35×25; 2.00 |
| 1000 | | | 22×50; 2.25 | 25×40; 2.25 | 30×30; 2.25 | 35×25; 2.25 | | | 25×45; 2.25 | 30×35; 2.25 | 35×30; 2.26 |
| 1200 | | | | 25×45; 2.49 | 30×35; 2.49 | 35×30; 2.45 | | | 25×50; 2.54 | 30×40; 2.52 | 35×30; 2.60 |
| 1500 | | | | | 30×40; 2.84 | 35×30; 2.68 | | | | 30×45; 2.90 | 35×35; 2.95 |
| 1800 | | | | | 30×45; 3.32 | 35×35; 3.00 | | | | 30×50; 3.00 | 35×40; 3.30 |
| 2200 | | | | | | 35×45; 3.50 | | | | | 35×50; 3.65 |
| 2700 | | | | | | 35×50; 4.00 | | | | | |

| Cap (μ F) | WV ϕ D | 200 | | | | | 220 | | | | |
|-------------------|----------------|-------------|-------------|-------------|-------------|-------------|-------------|-------------|-------------|-------------|-------------|
| | | ϕ 20 | ϕ 22 | ϕ 25 | ϕ 30 | ϕ 35 | ϕ 20 | ϕ 22 | ϕ 25 | ϕ 30 | ϕ 35 |
| 180 | | | | | | | 20×25; 0.86 | | | | |
| 220 | | 20×25; 1.00 | | | | | 20×30; 1.04 | 22×25; 0.99 | | | |
| 270 | | 20×30; 1.10 | 22×25; 1.10 | | | | 20×30; 1.08 | 22×25; 1.04 | | | |
| 330 | | 20×30; 1.15 | 22×30; 1.25 | | | | 20×35; 1.30 | 22×30; 1.32 | 25×25; 1.26 | | |
| 390 | | 20×35; 1.25 | 22×30; 1.31 | 25×25; 1.31 | | | 20×40; 1.45 | 22×35; 1.42 | 25×30; 1.45 | | |
| 470 | | 20×40; 1.42 | 22×35; 1.45 | 25×30; 1.45 | | | 20×45; 1.63 | 22×40; 1.67 | 25×30; 1.54 | 30×25; 1.48 | |
| 560 | | | 22×40; 1.60 | 25×30; 1.60 | 30×25; 1.60 | | | 22×45; 1.77 | 25×35; 1.66 | 30×30; 1.65 | |
| 680 | | | 22×45; 1.75 | 25×35; 1.78 | 30×30; 1.78 | | | | 25×40; 1.87 | 30×30; 1.82 | 35×25; 1.78 |
| 820 | | | 22×50; 1.95 | 25×40; 1.95 | 30×30; 2.00 | | | | 25×45; 2.04 | 30×35; 2.00 | 35×30; 1.93 |
| 1000 | | | | 25×45; 2.10 | 30×35; 2.30 | 35×30; 2.30 | | | | 30×40; 2.48 | 35×35; 2.33 |
| 1200 | | | | | 30×40; 2.64 | 35×35; 2.65 | | | | 30×45; 2.88 | 35×40; 2.65 |
| 1500 | | | | | 30×50; 3.08 | 35×40; 3.08 | | | | | 35×45; 2.96 |
| 1800 | | | | | | 35×45; 3.48 | | | | | 35×50; 3.39 |
| 2200 | | | | | | 35×50; 3.55 | | | | | |

| Cap (μ F) | WV ϕ D | 250 | | | | | 315 | | | | |
|-------------------|----------------|-------------|-------------|-------------|-------------|-------------|-------------|-------------|-------------|-------------|-------------|
| | | ϕ 20 | ϕ 22 | ϕ 25 | ϕ 30 | ϕ 35 | ϕ 20 | ϕ 22 | ϕ 25 | ϕ 30 | ϕ 35 |
| 82 | | | | | | | 20×25; 0.64 | | | | |
| 100 | | | | | | | 20×30; 0.69 | 22×25; 0.62 | | | |
| 120 | | | | | | | 20×30; 0.75 | 22×25; 0.75 | 25×25; 0.76 | | |
| 150 | | | | | | | 20×35; 0.82 | 22×30; 0.82 | 25×25; 0.82 | | |
| 180 | | | | | | | 20×40; 0.90 | 22×35; 0.92 | 25×25; 0.90 | | |
| 220 | | 20×30; 1.00 | 22×25; 1.00 | | | | 20×50; 1.00 | 22×40; 1.04 | 25×30; 1.04 | 30×25; 1.04 | |
| 270 | | 20×35; 1.10 | 22×30; 1.15 | | | | | 22×45; 1.16 | 25×35; 1.15 | 30×25; 1.15 | 35×25; 1.15 |
| 330 | | 20×40; 1.20 | 22×35; 1.28 | | | | | 22×50; 1.22 | 25×40; 1.23 | 30×30; 1.33 | 35×25; 1.32 |
| 390 | | 20×45; 1.35 | 22×40; 1.49 | 25×30; 1.35 | 30×25; 1.49 | | | | 25×45; 1.40 | 30×35; 1.47 | 35×30; 1.47 |
| 470 | | | 22×45; 1.60 | 25×35; 1.57 | 30×30; 1.65 | | | | | 30×40; 1.70 | 35×30; 1.70 |
| 560 | | | 22×50; 1.72 | 25×40; 1.80 | 30×30; 1.80 | | | | | 30×45; 2.05 | 35×35; 1.90 |
| 680 | | | | 25×45; 1.85 | 30×35; 2.00 | 35×30; 2.00 | | | | 30×50; 2.14 | 35×40; 2.17 |
| 820 | | | | 25×50; 2.10 | 30×40; 2.18 | 35×35; 2.30 | | | | | 35×45; 2.20 |
| 1000 | | | | | 30×45; 2.40 | 35×35; 2.35 | | | | | |
| 1200 | | | | | | 35×40; 2.50 | | | | | |
| 1500 | | | | | | 35×50; 3.00 | | | | | |

| Cap (μ F) | WV ϕ D | 350 | | | | | 385 | | | | |
|-------------------|----------------|-------------|-------------|-------------|-------------|-------------|-------------|-------------|-------------|-------------|-------------|
| | | ϕ 20 | ϕ 22 | ϕ 25 | ϕ 30 | ϕ 35 | ϕ 20 | ϕ 22 | ϕ 25 | ϕ 30 | ϕ 35 |
| 56 | | | | | | | 20×25; 0.42 | | | | |
| 68 | | 20×25; 0.47 | | | | | 20×30; 0.47 | 22×25; 0.49 | | | |
| 82 | | 20×30; 0.55 | | | | | 20×30; 0.52 | 22×25; 0.55 | | | |
| 100 | | 20×30; 0.60 | 22×25; 0.69 | | | | 20×35; 0.60 | 22×30; 0.66 | 25×25; 0.66 | | |
| 120 | | 20×35; 0.70 | 22×30; 0.75 | 25×25; 0.75 | | | 20×40; 0.68 | 22×35; 0.71 | 25×25; 0.71 | | |
| 150 | | 20×40; 0.78 | 22×35; 0.82 | 25×30; 0.83 | | | | 22×40; 0.83 | 25×30; 0.83 | 30×25; 0.77 | |
| 180 | | 20×45; 0.88 | 22×40; 0.92 | 25×30; 0.92 | 30×25; 0.92 | | | 22×45; 0.92 | 25×35; 0.92 | 30×30; 0.89 | |
| 220 | | | 22×45; 1.05 | 25×35; 1.05 | 30×30; 1.02 | | | 22×50; 1.03 | 25×40; 1.03 | 30×30; 1.01 | 35×25; 1.03 |
| 270 | | | 22×50; 1.18 | 25×40; 1.18 | 30×30; 1.18 | 35×25; 1.20 | | | 25×45; 1.14 | 30×35; 1.15 | 35×30; 1.13 |
| 330 | | | | 25×45; 1.30 | 30×35; 1.35 | 35×30; 1.22 | | | | 30×40; 1.32 | 35×30; 1.35 |
| 390 | | | | 25×50; 1.45 | 30×40; 1.52 | 35×35; 1.48 | | | | 30×45; 1.46 | 35×35; 1.50 |
| 470 | | | | | 30×45; 1.65 | 35×35; 1.70 | | | | 30×50; 1.72 | 35×40; 1.79 |
| 560 | | | | | 30×50; 1.85 | 35×40; 1.90 | | | | | 35×45; 1.99 |
| 680 | | | | | | 35×45; 2.00 | | | | | |

↑ Ripple Current (A r.m.s./120Hz, 105°C)
 ↑ Case Size ϕ D×L(mm)

◆ STANDARD SIZE, RATED RIPPLE CURRENT

| Cap (μ F) | WV ϕ D | 400 | | | | | 420 | | | | |
|-------------------|----------------|-------------|-------------|-------------|-------------|-------------|-------------|-------------|-------------|-------------|-------------|
| | | ϕ 20 | ϕ 22 | ϕ 25 | ϕ 30 | ϕ 35 | ϕ 20 | ϕ 22 | ϕ 25 | ϕ 30 | ϕ 35 |
| 47 | | | | | | | | | | | |
| 56 | | 20×25; 0.51 | | | | | 20×25; 0.44 | | | | |
| 68 | | 20×30; 0.56 | 22×25; 0.52 | | | | 20×30; 0.49 | 22×25; 0.51 | | | |
| 82 | | 20×30; 0.64 | 22×25; 0.64 | | | | 20×35; 0.54 | 22×30; 0.65 | 25×25; 0.65 | | |
| 100 | | 20×35; 0.70 | 22×30; 0.70 | 25×25; 0.70 | | | 20×35; 0.61 | 22×30; 0.68 | 25×25; 0.67 | | |
| 120 | | 20×40; 0.75 | 22×35; 0.75 | 25×25; 0.75 | | | 20×40; 0.70 | 22×35; 0.73 | 25×30; 0.76 | 30×25; 0.81 | |
| 150 | | 20×45; 0.83 | 22×40; 0.88 | 25×30; 0.88 | 30×25; 0.82 | | 20×45; 0.78 | 22×40; 0.86 | 25×35; 0.87 | 30×25; 0.84 | |
| 180 | | | 22×45; 0.98 | 25×35; 0.98 | 30×30; 0.95 | | | 22×45; 0.96 | 25×35; 0.95 | 30×30; 0.97 | 35×25; 0.91 |
| 220 | | | 22×50; 1.10 | 25×40; 1.10 | 30×30; 1.10 | 35×25; 1.10 | | | 25×40; 1.08 | 30×35; 1.14 | 35×30; 1.07 |
| 270 | | | | 25×45; 1.21 | 30×35; 1.22 | 35×30; 1.22 | | | 25×50; 1.38 | 30×35; 1.20 | 35×35; 1.29 |
| 330 | | | | | 30×40; 1.44 | 35×30; 1.44 | | | | 30×40; 1.37 | 35×35; 1.44 |
| 390 | | | | | 30×45; 1.55 | 35×35; 1.60 | | | | 30×45; 1.50 | 35×40; 1.63 |
| 470 | | | | | | 35×40; 1.90 | | | | | 35×45; 1.88 |
| 560 | | | | | | 35×45; 2.12 | | | | | |

| Cap (μ F) | WV ϕ D | 450 | | | | |
|-------------------|----------------|-------------|-------------|-------------|-------------|-------------|
| | | ϕ 20 | ϕ 22 | ϕ 25 | ϕ 30 | ϕ 35 |
| 47 | | 20×25; 0.39 | | | | |
| 56 | | 20×30; 0.51 | 22×25; 0.44 | | | |
| 68 | | 20×35; 0.56 | 22×30; 0.53 | | | |
| 82 | | 20×35; 0.64 | 22×30; 0.64 | 25×25; 0.64 | | |
| 100 | | 20×45; 0.69 | 22×35; 0.69 | 25×30; 0.69 | 30×25; 0.69 | |
| 120 | | 20×50; 0.75 | 22×40; 0.75 | 25×30; 0.75 | 30×25; 0.80 | |
| 150 | | | 22×45; 0.88 | 25×35; 0.88 | 30×30; 0.88 | 35×25; 0.75 |
| 180 | | | | 25×40; 0.95 | 30×30; 1.00 | 35×30; 0.86 |
| 220 | | | | 25×45; 1.10 | 30×35; 1.12 | 35×30; 1.05 |
| 270 | | | | | 30×40; 1.28 | 35×35; 1.27 |
| 330 | | | | | 30×50; 1.45 | 35×40; 1.45 |
| 390 | | | | | | 35×40; 1.65 |
| 470 | | | | | | 35×50; 1.85 |

↑ Ripple Current (A r.m.s./120Hz, 105°C)
 ↑ Case Size ϕ D×L(mm)

