

MOC8111M, MOC8112M, MOC8113M

6-Pin DIP Optocoupler for Power Supply Applications (No Base Connection)

Features

- High isolation voltage
7500 VAC Peak—1 second
- High BV_{CEO} minimum 70 Volts
- Current transfer ratio in selected groups:
MOC8111M: 20% min.
MOC8112M: 50% min.
MOC8113M: 100% min.
- Maximum switching time in saturation specified
- Underwriters Laboratory (UL) recognized
(File #E90700, Vol. 2)
- IEC60747-5-2 approved (ordering option V)

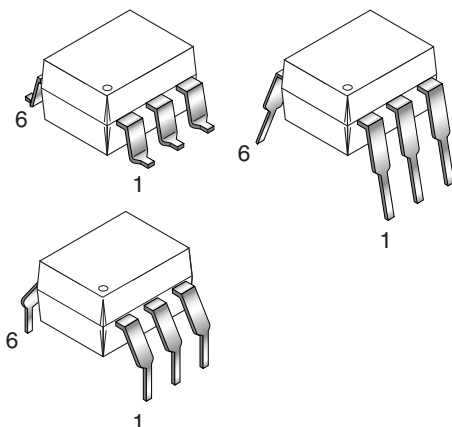
Applications

- Power supply regulators
- Digital logic inputs
- Microprocessor inputs
- Appliance sensor systems
- Industrial controls

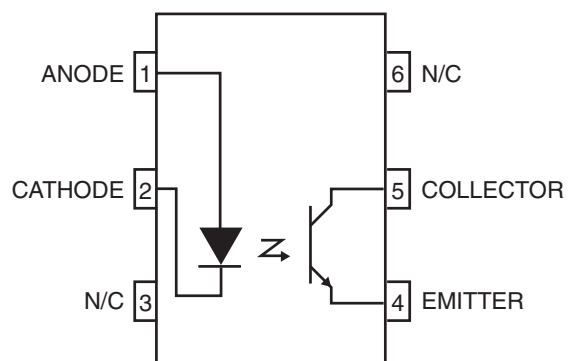
Description

The MOC811XM series consists of a Gallium Arsenide IRED coupled with an NPN phototransistor. The base of the transistor is not bonded to an external pin for improved noise immunity.

Packages



Schematic



Absolute Maximum Ratings ($T_A = 25^\circ\text{C}$ Unless otherwise specified.)

Stresses exceeding the absolute maximum ratings may damage the device. The device may not function or be operable above the recommended operating conditions and stressing the parts to these levels is not recommended. In addition, extended exposure to stresses above the recommended operating conditions may affect device reliability. The absolute maximum ratings are stress ratings only.

Symbol	Parameter	Value	Unit
TOTAL DEVICE			
P_D	Total Device Power Dissipation @ $T_A = 25^\circ\text{C}$	260	mW
	Derate above 25°C	3.5	mW/ $^\circ\text{C}$
T_{OPR}	Ambient Operating Temperature Range	-40 to +100	$^\circ\text{C}$
T_{STG}	Storage Temperature Range	-40 to +150	$^\circ\text{C}$
T_{SOL}	Lead Soldering Temperature (Wave Solder) (1/16" from case, 10 sec. duration)	260	$^\circ\text{C}$
INPUT LED			
I_F	Forward Current – Continuous	90	mA
$I_F(pk)$	Forward Current – Peak (PW = $1\mu\text{s}$, 300pps)	3	A
V_R	Reverse Voltage	6	V
P_D	LED Power Dissipation @ $T_A = 25^\circ\text{C}$	135	mW
	Derate above 25°C	1.8	mW/ $^\circ\text{C}$
OUTPUT TRANSISTOR			
P_D	Detector Power Dissipation @ $T_A = 25^\circ\text{C}$	200	mW
	Derate above 25°C	2.67	mW/ $^\circ\text{C}$

Electrical Characteristics ($T_A = 25^\circ\text{C}$ Unless otherwise specified.)**Individual Component Characteristics**

Symbol	Parameter	Test Conditions	Min.	Typ.	Max.	Unit
EMITTER						
V_F	Input Forward Voltage	$I_F = 60\text{mA}$		1.35	1.65	V
		$I_F = 10\text{mA}$		1.15	1.50	
V_R	Reverse Voltage	$I_R = 10\mu\text{A}$	6.0	15		V
C_J	Capacitance	$V_F = 0\text{V}, f = 1.0\text{MHz}$		50		pF
		$V_F = 1\text{V}, f = 1.0\text{MHz}$		65		
I_R	Reverse Leakage Current	$V_R = 3.0\text{V}$.35	10	μA
DETECTOR						
BV_{CEO}	Breakdown Voltage, Collector to Emitter	$I_C = 1.0\text{mA}, I_F = 0$	70			V
BV_{ECO}	Breakdown Voltage, Emitter to Collector	$I_E = 100\mu\text{A}, I_F = 0$	7			V
I_{CEO}	Leakage Current, Collector to Emitter	$V_{CE} = 10\text{V}, I_F = 0$		5	50	V
C_{CE}	Capacitance, Collector to Emitter	$V_{CE} = 0\text{V}, f = 1\text{MHz}$		8		pF

Isolation Characteristics

Symbol	Characteristic	Test Conditions	Min.	Typ.	Max.	Units
V_{ISO}	Input-Output Isolation Voltage	$f = 60\text{Hz}, t = 1\text{ sec.}$	7500			$V_{AC(PK)}$
C_{ISO}	Isolation Capacitance	$V_{I-O} = 0, f = 1\text{MHz}$		0.5		pF

Transfer Characteristic

Symbol	Characteristics	Test Conditions	Device	Min.	Typ.	Max.	Units
DC CHARACTERISTICS							
CTR	Output/Input Current Transfer Ratio	$I_F = 10\text{mA}, V_{CE} = 5\text{V}$	MOC8111M	20			%
			MOC8112M	50			
			MOC8113M	100			
$V_{CE(SAT)}$	Collector-Emitter Saturation Voltage	$I_F = 10\text{mA}, I_C = 2.5\text{mA}$	All		0.27	0.4	V
AC CHARACTERISTICS							
Non-Saturated Switching Times							
t_{on}	Turn-On Time	$R_L = 100\Omega, I_C = 2\text{mA}, V_{CC} = 10\text{V}, \text{See Figure 7}$	All		6.0	10	μs
t_{off}	Turn-Off Time		All		5.5	10	μs
Saturated Switching Times							
t_{on}	Turn-On Time	$I_F = 20\text{mA}, V_{CE} = 0.4\text{V}$	MOC8111M		3.0	5.5	μs
		$I_F = 10\text{mA}, V_{CE} = 0.4\text{V}$	MOC812M/3M		4.2	8.0	
t_r	Rise-Time	$I_F = 20\text{mA}, V_{CE} = 0.4\text{V}$	MOC8111M		2.0	4.0	μs
		$I_F = 10\text{mA}, V_{CE} = 0.4\text{V}$	MOC812M/3M		3.0	6.0	
t_{off}	Turn-Off Time	$I_F = 20\text{mA}, V_{CE} = 0.4\text{V}$	MOC8111M		18	34	μs
		$I_F = 10\text{mA}, V_{CE} = 0.4\text{V}$	MOC812M/3M		23	39	
t_f	Fall-Time	$I_F = 20\text{mA}, V_{CE} = 0.4\text{V}$	MOC8111M		11	20	μs
		$I_F = 10\text{mA}, V_{CE} = 0.4\text{V}$	MOC812M/3M		14	24	

Typical Performance Characteristics

Fig. 1 LED Forward Voltage vs. Forward Current

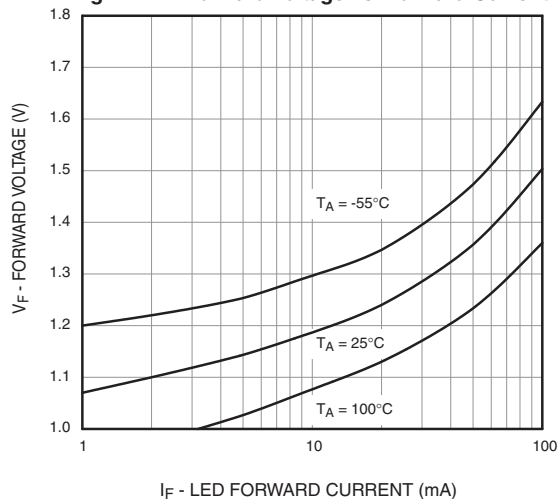


Fig. 2 Normalized CTR vs. Forward Current

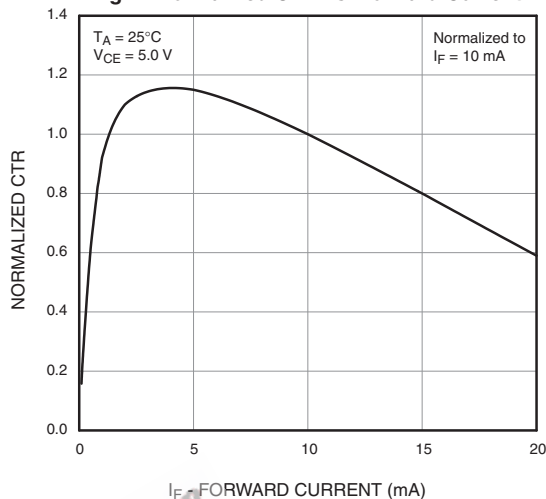


Fig. 3 Normalized CTR vs. Ambient Temperature

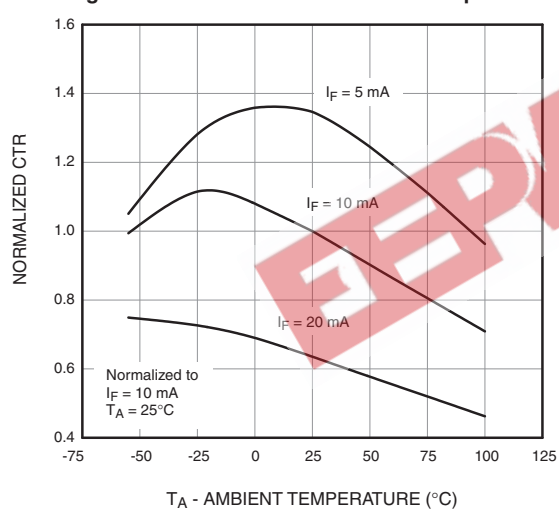


Fig. 4 Collector Emitter Saturation Voltage vs. Collector Current

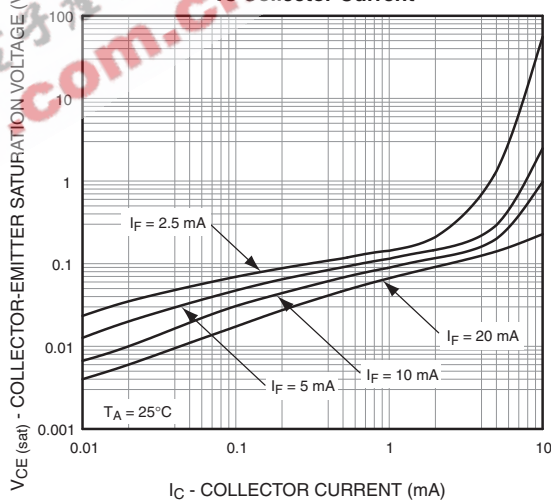


Fig. 5 Switching Speed vs. Load Resistor

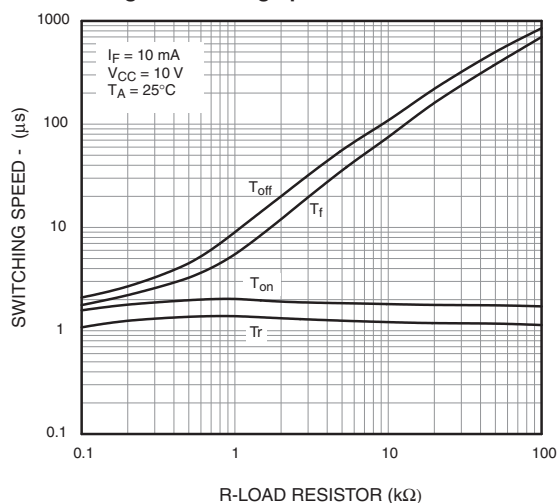
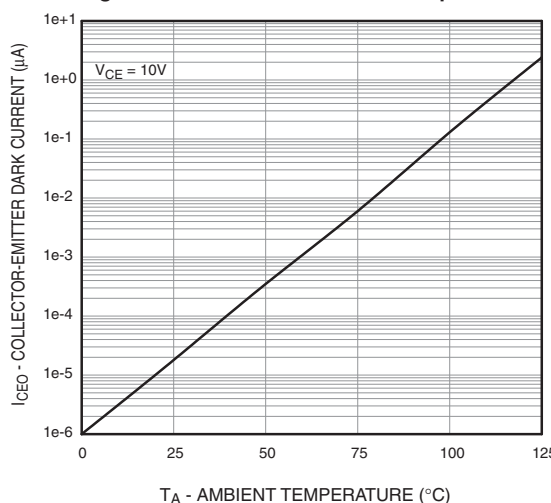


Fig. 6 Dark current vs. Ambient Temperature.



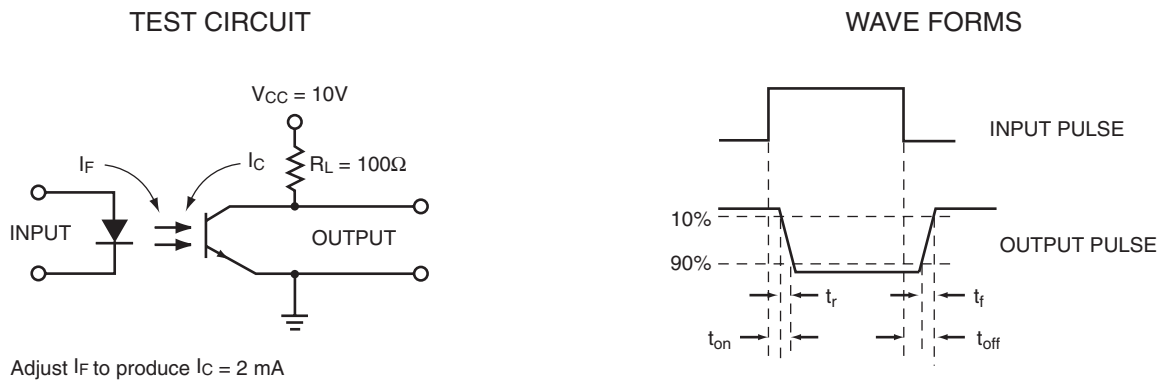
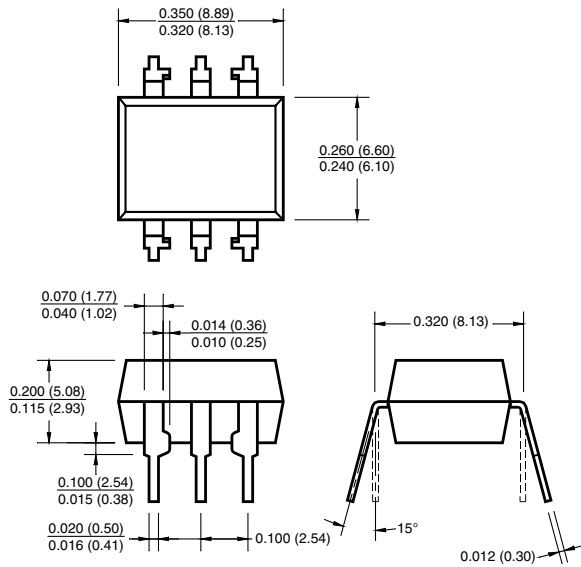


Figure 7. Switching Time Test Circuit and Waveforms

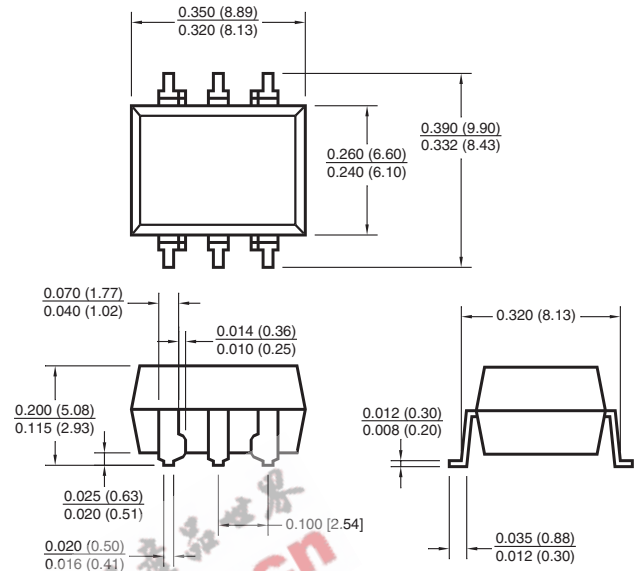
EEPW 电子产品世界 .com.cn

Package Dimensions

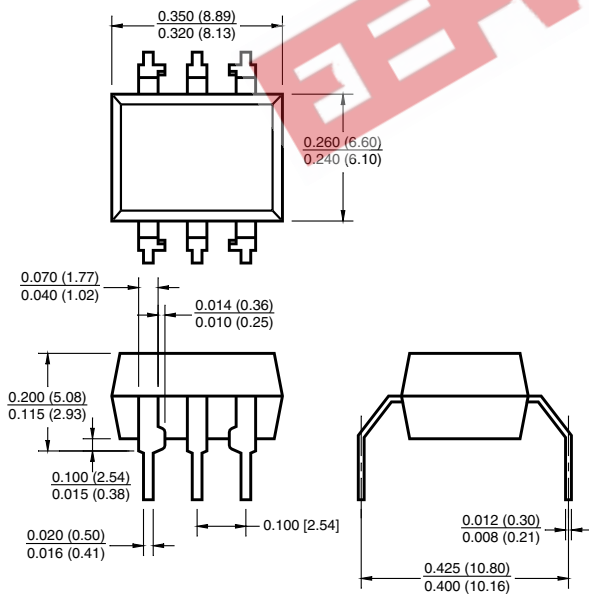
Through Hole



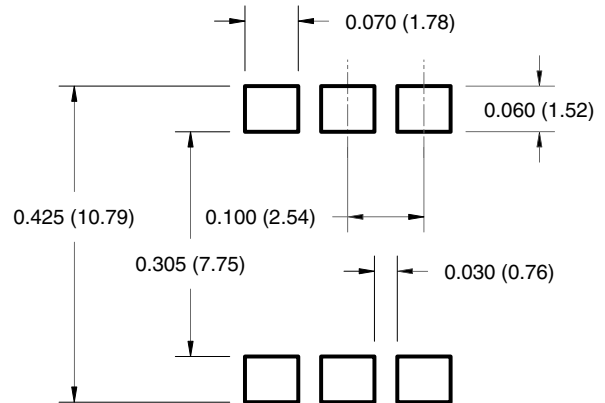
Surface Mount



0.4" Lead Spacing



Recommend Pad Layout for Surface Mount Leadform



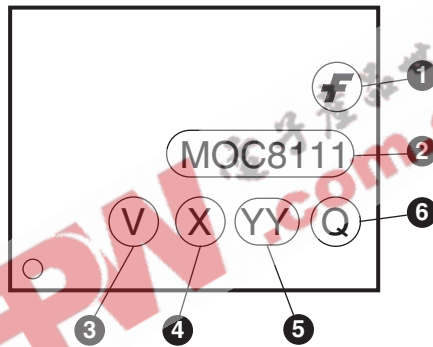
Note:

All dimensions are in inches (millimeters).

Ordering Information

Option	Example Part Number	Description
No Suffix	MOC8111M	Through Hole
S	MOC8111SM	Surface Mount Lead Bend
SR2	MOC8111SR2M	Surface Mount; Tape and Reel
T	MOC8111TM	0.4" Lead Spacing
V	MOC8111VM	VDE 0884
TV	MOC8111TVM	IEC60747-5-2 (VDE), 0.4" Lead Spacing
SV	MOC8111SVM	IEC60747-5-2 (VDE), Surface Mount
SR2V	MOC8111SR2VM	IEC60747-5-2 (VDE), Surface Mount, Tape and Reel

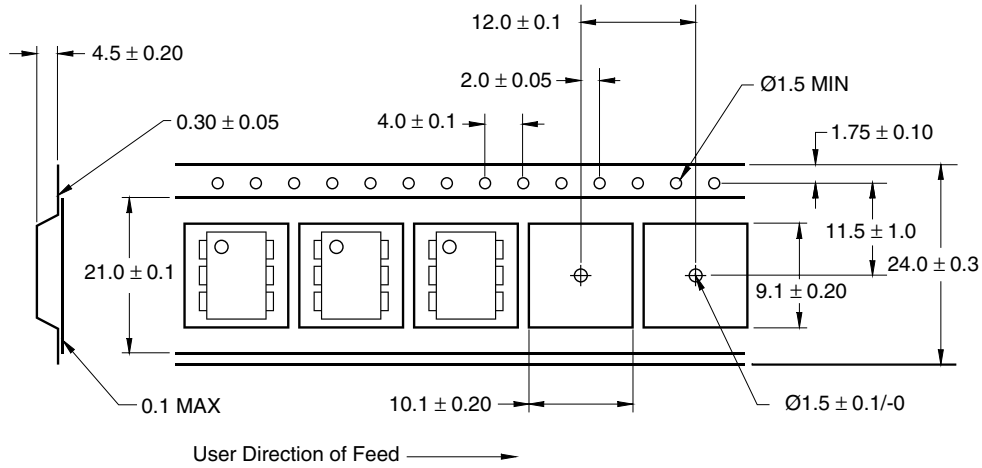
Marking Information



Definitions

1	Fairchild logo
2	Device number
3	VDE mark (Note: Only appears on parts ordered with VDE option – See order entry table)
4	One digit year code, e.g., '8'
5	Two digit work week ranging from '01' to '53'
6	Assembly package code

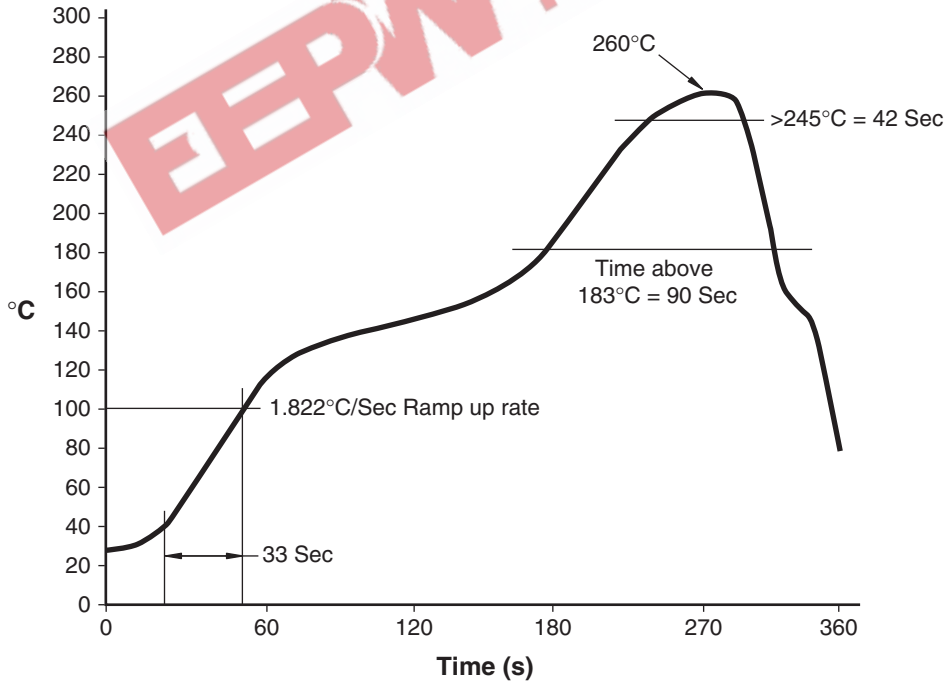
Tape Dimensions



Note:

All dimensions are in millimeters.



Reflow Profile





TRADEMARKS

The following includes registered and unregistered trademarks and service marks, owned by Fairchild Semiconductor and/or its global subsidiaries, and is not intended to be an exhaustive list of all such trademarks.

ACEx®	FPS™	PDP-SPM™	SupreMOS™
Build it Now™	FRFET®	Power220®	SyncFET™
CorePLUS™	Global Power Resource SM	POWEREDGE®	 SYSTEM GENERAL
CROSSVOLT™	Green FPS™	Power-SPM™	The Power Franchise®
CTL™	Green FPS™ e-Series™	PowerTrench®	the power
Current Transfer Logic™	GTO™	Programmable Active Droop™	franchise
EcoSPARK®	<i>i-Lo</i> ™	QFET®	TinyBoost™
EZSWITCH™ *	IntelliMAX™	QS™	TinyBuck™
 ™	ISOPLANAR™	QT Optoelectronics™	TinyLogic®
F ®	MegaBuck™	Quiet Series™	TINYOPTO™
Fairchild®	MICROCOUPLER™	RapidConfigure™	TinyPower™
Fairchild Semiconductor®	MicroFET™	SMART START™	TinyPWM™
FACT Quiet Series™	MicroPak™	SPM®	TinyWire™
FACT®	MillerDrive™	STEALTH™	μSerDes™
FAST®	Motion-SPM™	SuperFET™	UHC®
FastvCore™	OPTOLOGIC®	SuperSOT™3	Ultra FRFET™
FlashWriter® *	OPTOPLANAR®	SuperSOT™6	UniFET™
		SuperSOT™8	VCX™

* EZSWITCH™ and FlashWriter® are trademarks of System General Corporation, used under license by Fairchild Semiconductor.

DISCLAIMER

FAIRCHILD SEMICONDUCTOR RESERVES THE RIGHT TO MAKE CHANGES WITHOUT FURTHER NOTICE TO ANY PRODUCTS HEREIN TO IMPROVE RELIABILITY, FUNCTION, OR DESIGN. FAIRCHILD DOES NOT ASSUME ANY LIABILITY ARISING OUT OF THE APPLICATION OR USE OF ANY PRODUCT OR CIRCUIT DESCRIBED HEREIN; NEITHER DOES IT CONVEY ANY LICENSE UNDER ITS PATENT RIGHTS, NOR THE RIGHTS OF OTHERS. THESE SPECIFICATIONS DO NOT EXPAND THE TERMS OF FAIRCHILD'S WORLDWIDE TERMS AND CONDITIONS, SPECIFICALLY THE WARRANTY THEREIN, WHICH COVERS THESE PRODUCTS.

LIFE SUPPORT POLICY

FAIRCHILD'S PRODUCTS ARE NOT AUTHORIZED FOR USE AS CRITICAL COMPONENTS IN LIFE SUPPORT DEVICES OR SYSTEMS WITHOUT THE EXPRESS WRITTEN APPROVAL OF FAIRCHILD SEMICONDUCTOR CORPORATION.

As used herein:

- Life support devices or systems are devices or systems which, (a) are intended for surgical implant into the body or (b) support or sustain life, and (c) whose failure to perform when properly used in accordance with instructions for use provided in the labeling, can be reasonably expected to result in a significant injury of the user.
- A critical component in any component of a life support, device, or system whose failure to perform can be reasonably expected to cause the failure of the life support device or system, or to affect its safety or effectiveness.

PRODUCT STATUS DEFINITIONS

Definition of Terms

Datasheet Identification	Product Status	Definition
Advance Information	Formative or In Design	This datasheet contains the design specifications for product development. Specifications may change in any manner without notice.
Preliminary	First Production	This datasheet contains preliminary data; supplementary data will be published at a later date. Fairchild Semiconductor reserves the right to make changes at any time without notice to improve design.
No Identification Needed	Full Production	This datasheet contains final specifications. Fairchild Semiconductor reserves the right to make changes at any time without notice to improve the design.
Obsolete	Not In Production	This datasheet contains specifications on a product that has been discontinued by Fairchild Semiconductor. The datasheet is printed for reference information only.

Rev. 133