

# AM6T Series



## 6 watt dc-dc converters

- 24 PIN DIP PACKAGE
- WIDE 2:1 INPUT RANGE
- HIGH EFFICIENCY UP TO 79%
- LOW PROFILE METAL PACKAGE
- INPUT/OUTPUT ISOLATION: 1500 & 3500VDC
- CONTINUOUS SHORT CIRCUIT PROTECTION
- OPERATING TEMPERATURE: -40°C ... +85°C
- PIN-COMPATIBLE WITH MULTIPLE MANUFACTURERS

### GENERAL DESCRIPTION

Our AM6T series is a family of cost effective 6W single and dual output DC-DC converters. Input voltages of 12, 24 & 48 VDC with output voltages of 3.3, 5, 7.2, 9, 12, 15,

18, 24,  $\pm 3.3$ ,  $\pm 5$ ,  $\pm 7.2$ ,  $\pm 9$ ,  $\pm 12$ ,  $\pm 15$ ,  $\pm 18$  &  $\pm 24$ VDC. Full SMD-design and a 100% production test of parameters ensures a high reliability in this product.

### ELECTRICAL SPECIFICATIONS

Specification typical at +25°C, nominal input voltage, rated output current unless otherwise specified

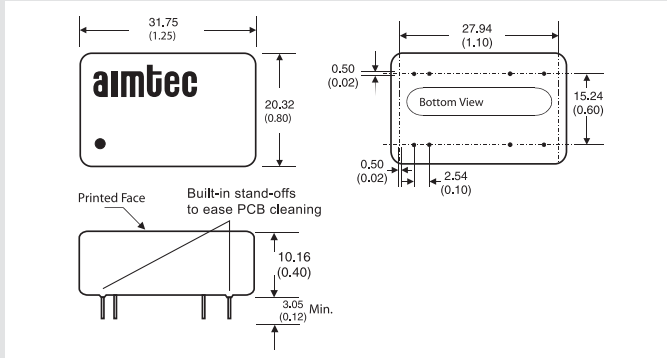
Input Specifications:		General Specifications:	
Voltage	12VDC, 9-18VDC 24VDC, 18-36VDC 48VDC, 36-72VDC	Efficiency	74% to 79%
Filter	$\pi$ (Pi) Network	Switching Frequency	250KHz, typ. 100% load
Isolation Specifications:		Output Specifications:	
Rated Voltage (60 sec)	1500 & 3500VDC	Voltage accuracy	$\pm 1\%$ , max.
Resistance	>1000MOhm	Voltage balance (dual outputs)	$\pm 1\%$
Capacitance	120pF, typ.	Ripple & Noise (at 20MHz BW)	60mVp-p, max.
Environmental Specifications:		Short circuit protection	Continuous
Operating temperature (ambient)	-40°C ... +85°C	Short circuit restart	Automatic
Storage temperature	-55°C ... +125°C	Line voltage regulation	$\pm 0.5\%$ , max.
Case temperature	+100°C, max.	Load voltage regulation	$\pm 0.5\%$ , max.
Derating	None required	Temperature coefficient	$\pm 0.02\%/^{\circ}\text{C}$ , typ.
Humidity (non-condensing)	Up to 90%	Physical Specifications:	
Cooling	Free-air Convection	Dimensions	31.75x20.32x10.16mm 1.25x0.80x0.40inches
		Weight	19g
		Case material	Nickel-Coated Copper

MTBF: > 1,002,000 hrs (MIL-HDBK-217F, Ground Benign,  $t=+25^{\circ}\text{C}$ )

Specifications are subject to change without notification

# AM6T Series

## OUTLINE DIMENSIONS & PIN CONNECTIONS



Pin	1500 & 3500 VDC	
	Single	Dual
2	-V Input	-V Input
3	-V Input	-V Input
9	N.C.	Common
11	N.C.	-V Output
14	+V Output	+V Output
16	-V Output	Common
22	+V Input	+V Input
23	+V Input	+V Input

## MODELS

Single output

Models		Input Voltage	Output Voltage	Output Current max.
Isolation 1500VDC	Isolation 3500VDC			
AM6T-1203S	AM6T-1203SH35	9VDC - 18VDC	3.3VDC	1500mA
AM6T-1205S	AM6T-1205SH35		5VDC	1200mA
AM6T-1207S	AM6T-1207SH35		7.2VDC	833mA
AM6T-1209S	AM6T-1209SH35		9VDC	667mA
AM6T-1212S	AM6T-1212SH35		12VDC	500mA
AM6T-1215S	AM6T-1215SH35		15VDC	400mA
AM6T-1218S	AM6T-1218SH35		18VDC	333mA
AM6T-1224S	AM6T-1224SH35		24VDC	250mA
AM6T-2403S	AM6T-2403SH35		18VDC - 36VDC	3.3VDC
AM6T-2405S	AM6T-2405SH35	5VDC		1200mA
AM6T-2407S	AM6T-2407SH35	7.2VDC		833mA
AM6T-2409S	AM6T-2409SH35	9VDC		667mA
AM6T-2412S	AM6T-2412SH35	12VDC		500mA
AM6T-2415S	AM6T-2415SH35	15VDC		400mA
AM6T-2418S	AM6T-2418SH35	18VDC	333mA	
AM6T-2424S	AM6T-2424SH35	24VDC	250mA	
AM6T-4803S	AM6T-4803SH35	36VDC - 72VDC	3.3VDC	1500mA
AM6T-4805S	AM6T-4805SH35		5VDC	1200mA
AM6T-4807S	AM6T-4807SH35		7.2VDC	833mA
AM6T-4809S	AM6T-4809SH35		9VDC	667mA
AM6T-4812S	AM6T-4812SH35		12VDC	500mA
AM6T-4815S	AM6T-4815SH35		15VDC	400mA
AM6T-4818S	AM6T-4818SH35		18VDC	333mA
AM6T-4824S	AM6T-4824SH35	24VDC	250mA	

# AM6T Series

## MODELS Dual output

Models		Input Voltage	Ouput Voltage	Ouput Current max.
Isolation 1500VDC	Isolation 3500VDC			
AM6T-1203D	AM6T-1203DH35	9VDC - 18VDC	±3.3VDC	±750mA
AM6T-1205D	AM6T-1205DH35		±5VDC	±600mA
AM6T-1207D	AM6T-1207DH35		±7.2VDC	±417mA
AM6T-1209D	AM6T-1209DH35		±9VDC	±334mA
AM6T-1212D	AM6T-1212DH35		±12VDC	±250mA
AM6T-1215D	AM6T-1215DH35		±15VDC	±200mA
AM6T-1218D	AM6T-1218DH35		±18VDC	±167mA
AM6T-1224D	AM6T-1224DH35		±24VDC	±125mA
AM6T-2403D	AM6T-2403DH35	18VDC - 36VDC	±3.3VDC	±750mA
AM6T-2405D	AM6T-2405DH35		±5VDC	±600mA
AM6T-2407D	AM6T-2407DH35		±7.2VDC	±417mA
AM6T-2409D	AM6T-2409DH35		±9VDC	±334mA
AM6T-2412D	AM6T-2412DH35		±12VDC	±250mA
AM6T-2415D	AM6T-2415DH35		±15VDC	±200mA
AM6T-2418D	AM6T-2418DH35		±18VDC	±167mA
AM6T-2424D	AM6T-2424DH35		±24VDC	±125mA
AM6T-4803D	AM6T-4803DH35	36VDC - 72VDC	±3.3VDC	±750mA
AM6T-4805D	AM6T-4805DH35		±5VDC	±600mA
AM6T-4807D	AM6T-4807DH35		±7.2VDC	±417mA
AM6T-4809D	AM6T-4809DH35		±9VDC	±334mA
AM6T-4812D	AM6T-4812DH35		±12VDC	±250mA
AM6T-4815D	AM6T-4815DH35		±15VDC	±200mA
AM6T-4818D	AM6T-4818DH35		±18VDC	±167mA
AM6T-4824D	AM6T-4824DH35		±24VDC	±125mA