

FEATURES

- *Guaranteed* 10 ppm/°C temperature coefficient
- *Guaranteed* 1.0Ω max. dynamic impedance
- *Guaranteed* 20μV max. wideband noise
- Wide operating current range 0.6mA to 15mA

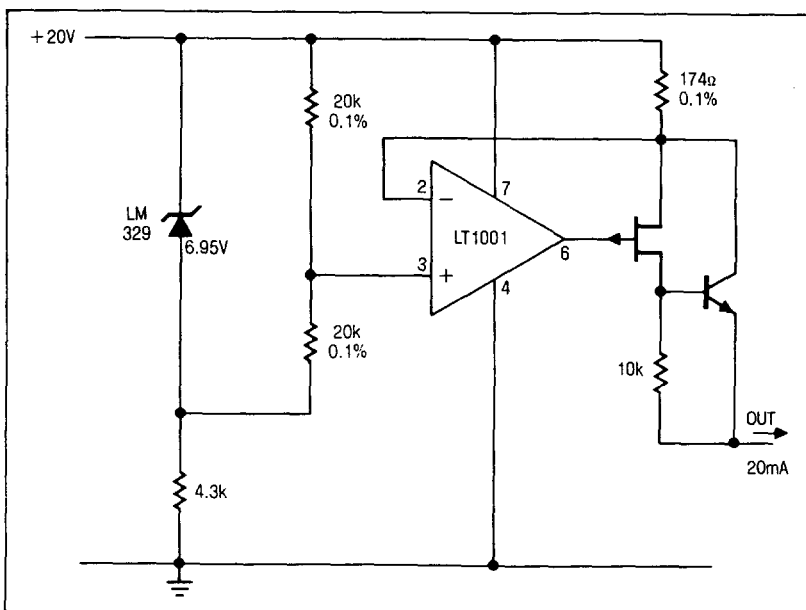
APPLICATIONS

- Transducers
- A/D and D/A Converters
- Calibration Standards
- Instrumentation Reference

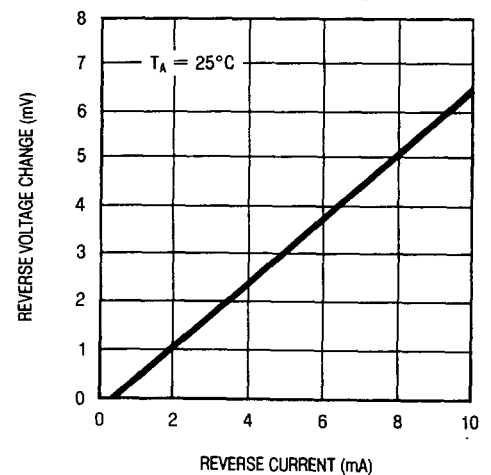
DESCRIPTION

The LM129 temperature compensated 6.9 Volt zener references provide excellent stability over time and temperature, very low dynamic impedance and a wide operating current range. The device achieves low dynamic impedance by incorporating a high gain shunt regulator around the zener. The excellent noise performance of the device is achieved by using a "buried zener" design which eliminates surface noise phenomenon associated with ordinary zeners. To serve a wide variety of applications, the LM129 is available in several temperature coefficient grades and two package styles. A 20mA positive current source application is shown below.

20mA Positive Current Source



Reverse Voltage Change

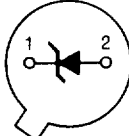
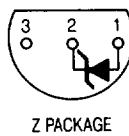


LM129/LM329

ABSOLUTE MAXIMUM RATINGS

Reverse Breakdown Current.....	30mA
Forward Current.....	2mA
Operating Temperature Range	
LM129.....	-55°C to 125°C
LM329.....	0°C to 70°C
Storage Temperature Range	
LM129.....	-65°C to 150°C
LM329.....	-65°C to 150°C
Lead Temperature (Soldering, 10 sec.).....	300°C

PACKAGE/ORDER INFORMATION

 <p>BOTTOM VIEW H PACKAGE TO-46 METAL CAN</p>	LM129AH LM329AH
	LM129BH LM329BH
 <p>BOTTOM VIEW Z PACKAGE TO-92 PLASTIC</p>	LM129CH LM329CH
	LM329DH
	LM329AZ
	LM329BZ
	LM329CZ
	LM329DZ

ELECTRICAL CHARACTERISTICS (See Note 1)

SYMBOL	PARAMETER	CONDITIONS	LM129A,B,C			LM329A,B,C,D			UNITS
			MIN	TYP	MAX	MIN	TYP	MAX	
V_Z	Reverse Breakdown Voltage	$T_A = 25^\circ\text{C}$ $0.6\text{mA} \leq I_R \leq 15\text{mA}$	6.7	6.9	7.2	6.6	6.9	7.25	V
$\frac{\Delta V_Z}{\Delta I_R}$	Reverse Breakdown Voltage Change with Current	$T_A = 25^\circ\text{C}$ $0.6\text{mA} \leq I_R \leq 15\text{mA}$		9	14		9	20	mV
$\frac{\Delta V_Z}{\Delta I_R}$	Reverse Breakdown Voltage Change with Current	$1\text{mA} \leq I_R \leq 15\text{mA}$	●	12			12		mV
$\frac{\Delta V_Z}{\Delta \text{Temp}}$	Temperature Coefficient	$I_R = 1\text{mA}$ LM129A/LM329A LM129B/LM329B LM129C/LM329C LM329D	●	6	10	●	6	10	ppm/°C
	Change in Temperature Coefficient	$1\text{mA} \leq I_R \leq 15\text{mA}$	●	1		●	1		ppm/°C
r_Z	Dynamic Impedance (Note 2)	$T_A = 25^\circ\text{C}$, $I_R = 1\text{mA}$ ($10\text{Hz} \leq f \leq 100\text{Hz}$)		0.6	1		0.8	2	Ω
r_Z	Dynamic Impedance (Note 2)	$1\text{mA} \leq I_R \leq 15\text{mA}$ ($10\text{Hz} \leq f \leq 100\text{Hz}$)	●	0.8			1		Ω
e_n	RMS Noise	$T_A = 25^\circ\text{C}$, $10\text{Hz} \leq f \leq 10\text{kHz}$		7	20		7	100	μV
$\frac{\Delta V_Z}{\Delta \text{Time}}$	Long Term Stability	$T_A = 45^\circ\text{C} \pm 0.1^\circ\text{C}$ $I_R = 1\text{mA} \pm 0.3\%$		20			20		ppm/kHr

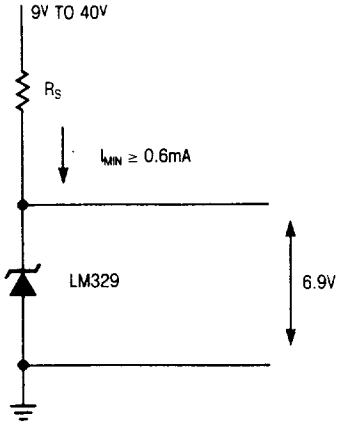
The ● denotes the specifications which apply over full operating temperature range.

Note 1: These specifications apply over the full operating temperature range unless otherwise noted. To determine the junction temperature as a function of the ambient temperature, see θ_{JA} for each package.

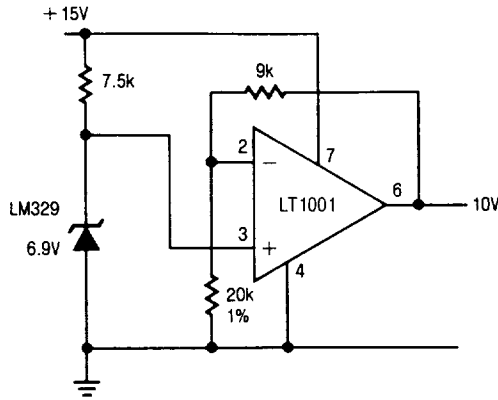
Note 2: Dynamic impedance guaranteed by "Reverse Breakdown Voltage Change with Current".

TYPICAL APPLICATIONS

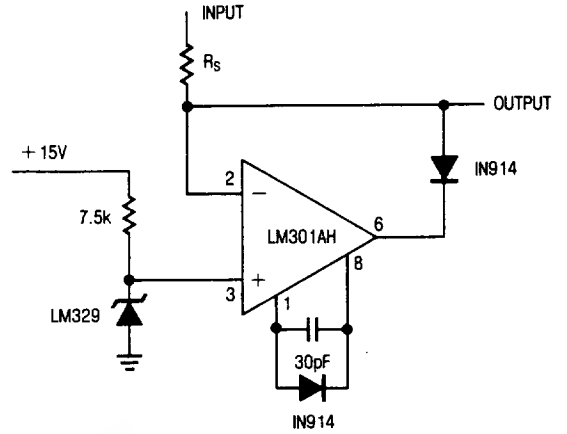
Common Reference



Buffered Reference Using a Single Supply

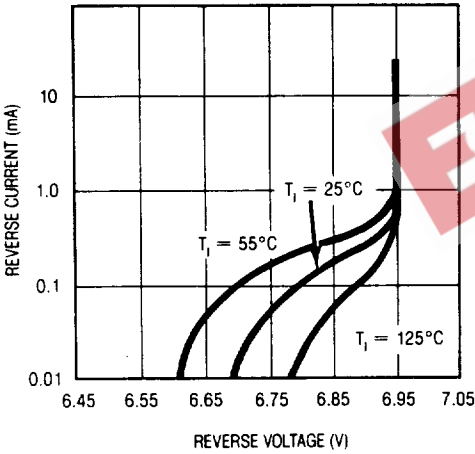


Precision Clamp

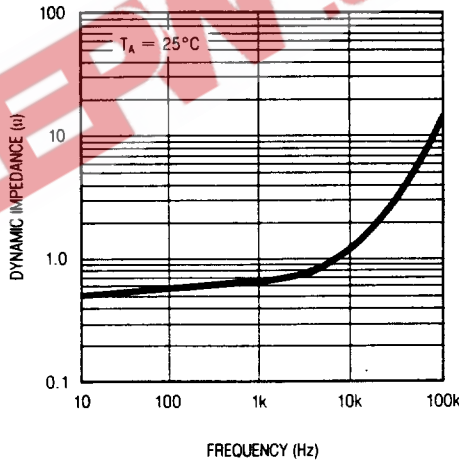


TYPICAL PERFORMANCE CHARACTERISTICS

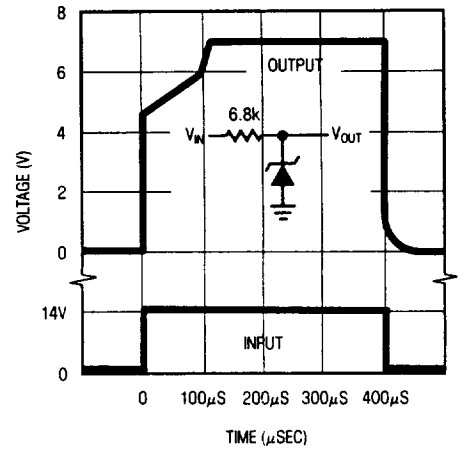
Reverse Characteristics



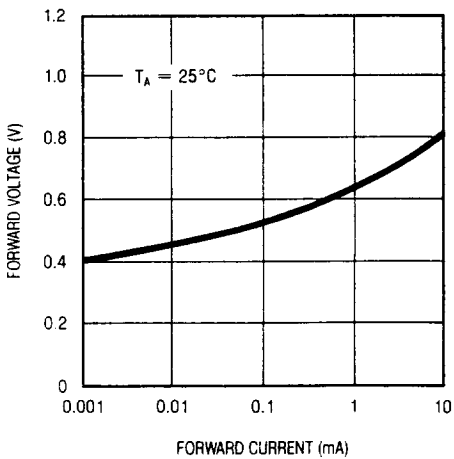
Dynamic Impedance



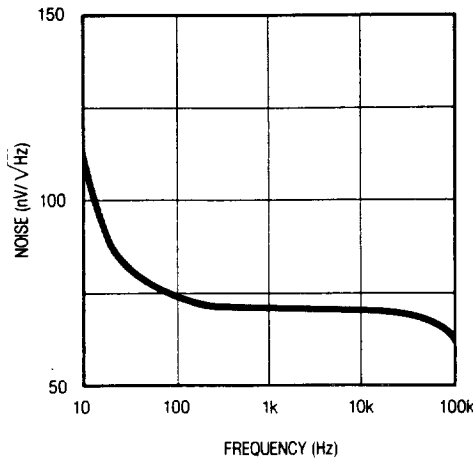
Response Time



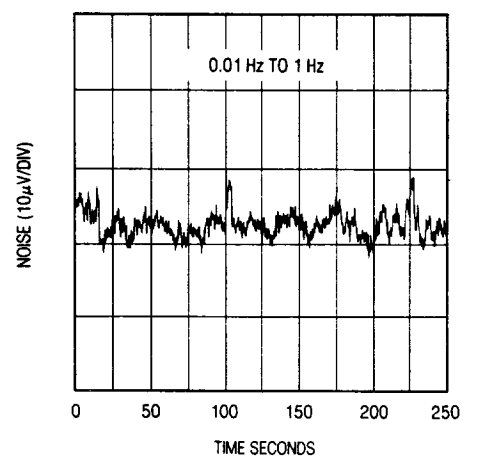
Forward Characteristics



Noise Voltage

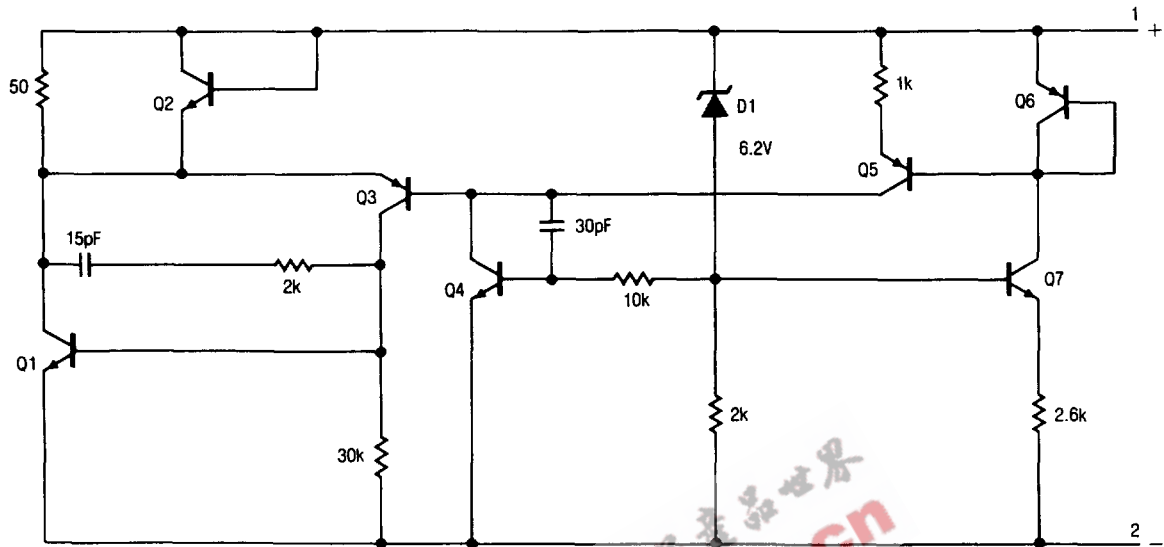


Low Frequency Noise Voltage



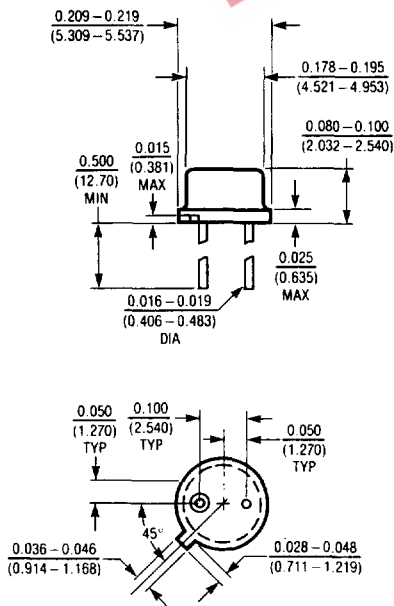
LM129/LM329

SCHEMATIC DIAGRAM



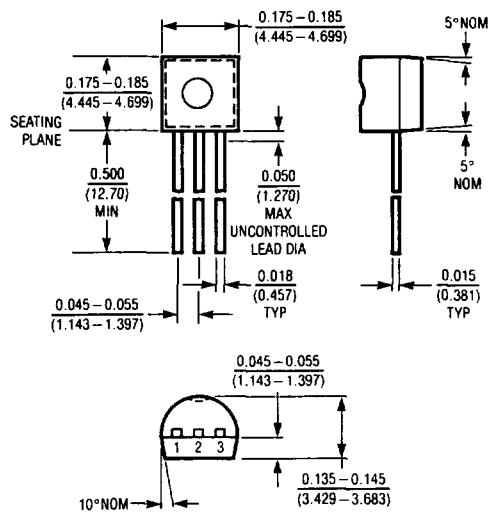
PACKAGE DESCRIPTION

H Package, 2 Lead TO-46 Metal Can



T_{jmax}	θ_{ja}	θ_{jc}
150°C	440°C/W	80°C/W

Z Package, 3 Lead TO-92 Plastic



T_{jmax}	θ_{ja}
100°C	160°C/W