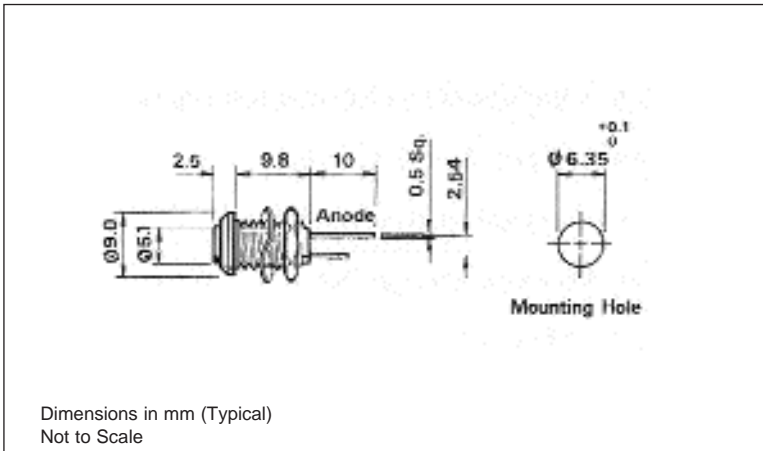


● PROFESSIONAL LED INDICATORS - Ø 6.35mm Mounting



- Black anodised aluminium housing
- Burn-in options available on request
- Industry standard mounting diameter
- Sealed to IP67




608 SERIES

MLQ = 10

Ordering Information & Typical Technical Characteristics (Ta = 25°C)  
Mean Time Between Failure = 90,000 Hours. Luminous intensity figures refer to the unmodified discrete LED.

PART NUMBER	COLOUR	LENS	VOLTAGE DC Vopr	CURRENT DC Iopr	LUMINOUS INTENSITY Iv@10mA	WAVE LENGTH Ip	VIEWING ANGLE	OPERATING TEMP Topr	STORAGE TEMP Tstg
<b>STANDARD INTENSITY</b>									
607-303-04	Red	Coloured Diffused	2.1	20	100	650	Wide	-40 ~ +85	-50 ~ +100
607-309-04	Yellow		2.2	20	100	585			
607-312-04	Green		2.2	20	160	563			
608-303-04	Red	Smoked	2.1	20	100	650			
608-309-04	Yellow		2.2	20	100	585			
608-312-04	Green		2.2	20	160	563			
UNITS			Vdc	mA	mcd	nm		°C	°C

CRIMP TOOL

Order Code: 911-000-00  For use with 909 and 910 series Push-on Connectors