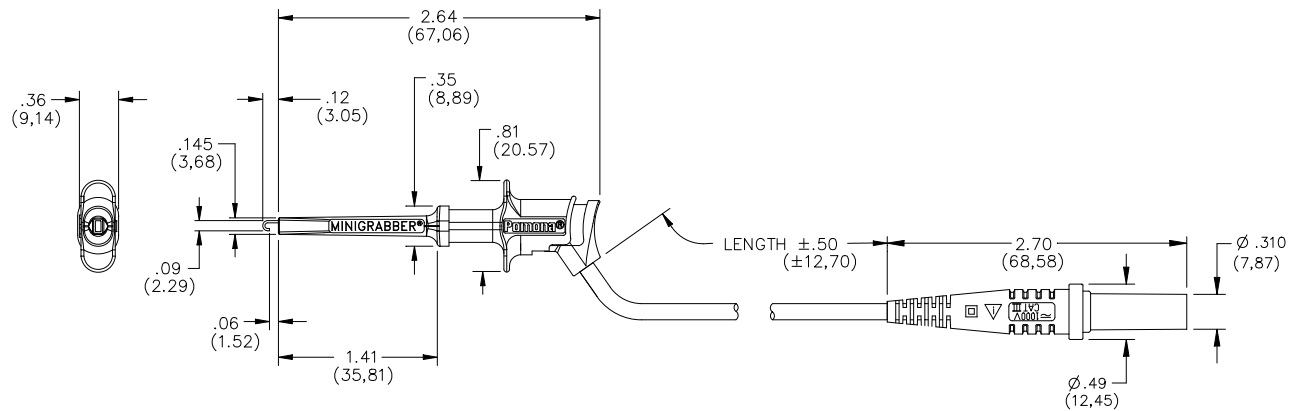


## Model 6245 Minigrabber® Test Clip to Straight Sheathed Banana Plug



### Features

- Newly designed Minigrabber® Test Clip Patch Cord complies with IEC 61010-2-31, which is the latest international safety standard for test accessories.
- Grabber width is a slim .36" (9,14 mm) for easier side by side stacking.
- Grabber hook is gold plated Beryllium Copper to ensure signal integrity.
- Grabber hook attaches onto component leads up to .060" (1,5 mm) O.D.
- Grabber patch cord interfaces directly into the most popular multimeters configured with 4 mm sheathed safety jacks including Amprobe, Fluke, H.P., Tektronix and Wavetek.
- Plug is molded directly to the cable in an integral one-piece design and the wire is double crimped for a long lasting connection.
- Multi-leaf banana spring material is nickel plated Beryllium Copper for extended insertion life and low contact resistance.
- High strand count silicone insulated wire offers excellent flexibility and high temperature resistance.

### Materials

Grabber: Body: Polypropylene, Color per Part Number  
Hook: Beryllium Copper, Gold Plated, compression Spring: Music Wire  
Wire: 18 AWG, 65 x 36 Tinned Copper, Insulation – Silicone, .144" (3,66 mm) O.D., Color per P/N  
Banana Plug: Body – Brass, Nickel Plated, Spring – Beryllium Copper, Nickel Plated  
Insulation – Polypropylene, Color per P/N

### Ratings

IEC 61010 2-031, Category II, P2 Compliant  
Operating Voltage: 300 VRMS/DC Max.  
Current: 5 Amperes Max.

### Ordering Information

Model 6245-XX-\*  
XX = Length in Inches, Standard Length: 48" (122 cm)  
\* = Color Code, -0 Black, -2 Red

USA: Sales: 800-490-2361  
Technical Support: [technicalsupport@pomonatest.com](mailto:technicalsupport@pomonatest.com)  
Fax: 425-446-5844

Europe: 31-(0) 40 2675 150 International: 425-446-5500  
Where to Buy: [www.pomonaelectronics.com](http://www.pomonaelectronics.com)

All dimensions are in inches. Tolerances (except noted): .xx = ±.02" (.51 mm), .xxx = ±.005" (.127 mm). All specifications are to the latest revisions. Specifications are subject to change without notice. Registered trademarks are the property of their respective companies.