

Sensory, Inc.

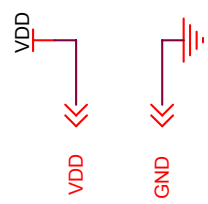
Title
RSC-4x VR Stamp Programmer

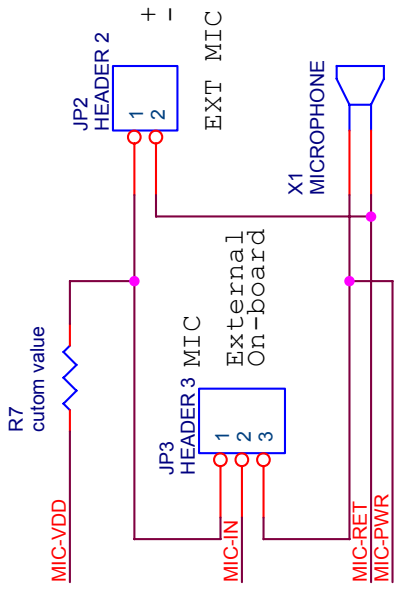
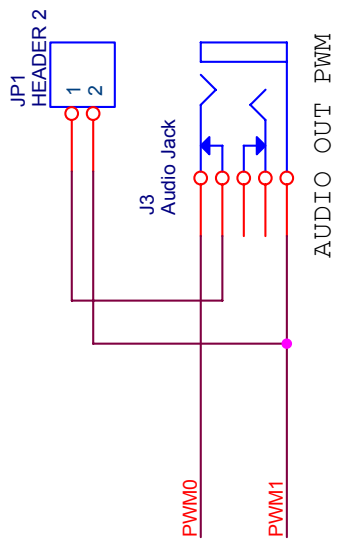
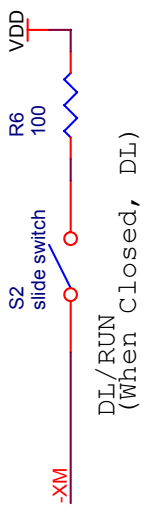
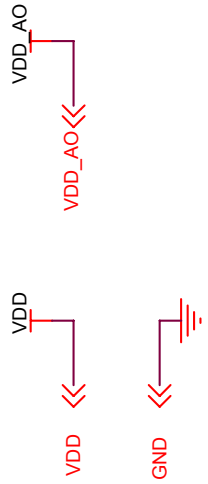
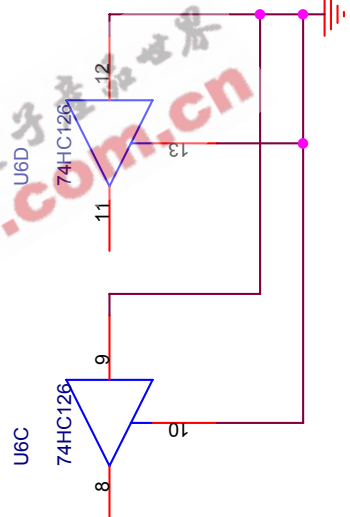
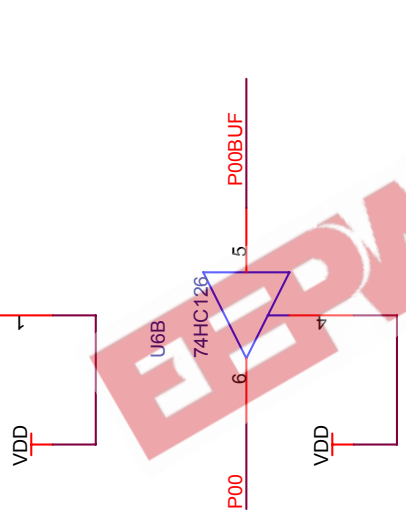
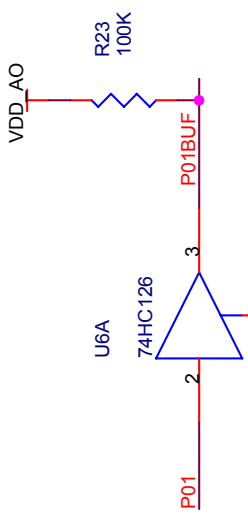
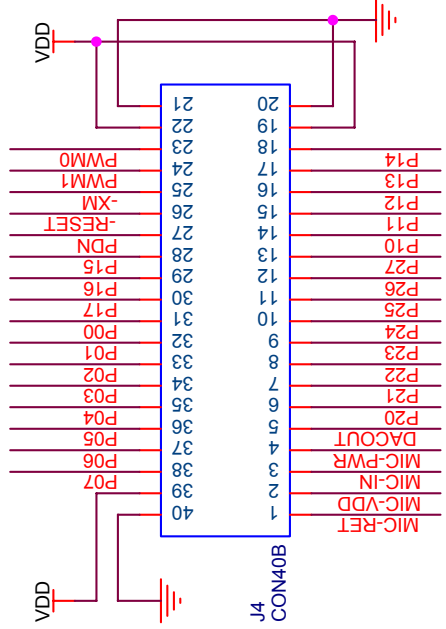
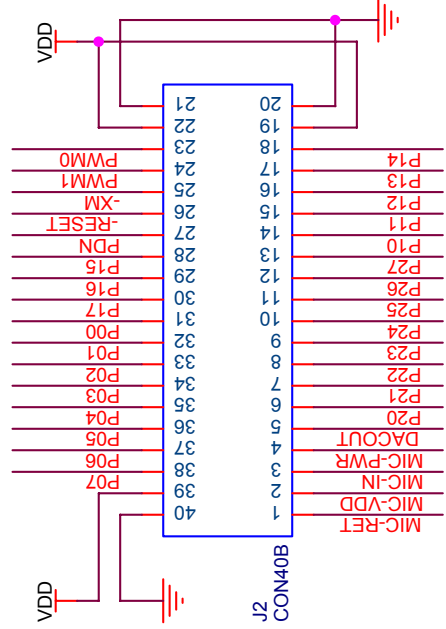
Size
A

Rev
B

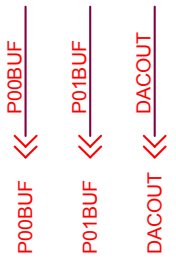
Date: Friday, March 18, 2005

Sheet 1 of 4





Sensory, Inc.	
Title RSC-4x VR Stamp Programmer	
Size A	Document Number 70-0069
Date: Friday, March 18, 2005	Sheet 2 of 4

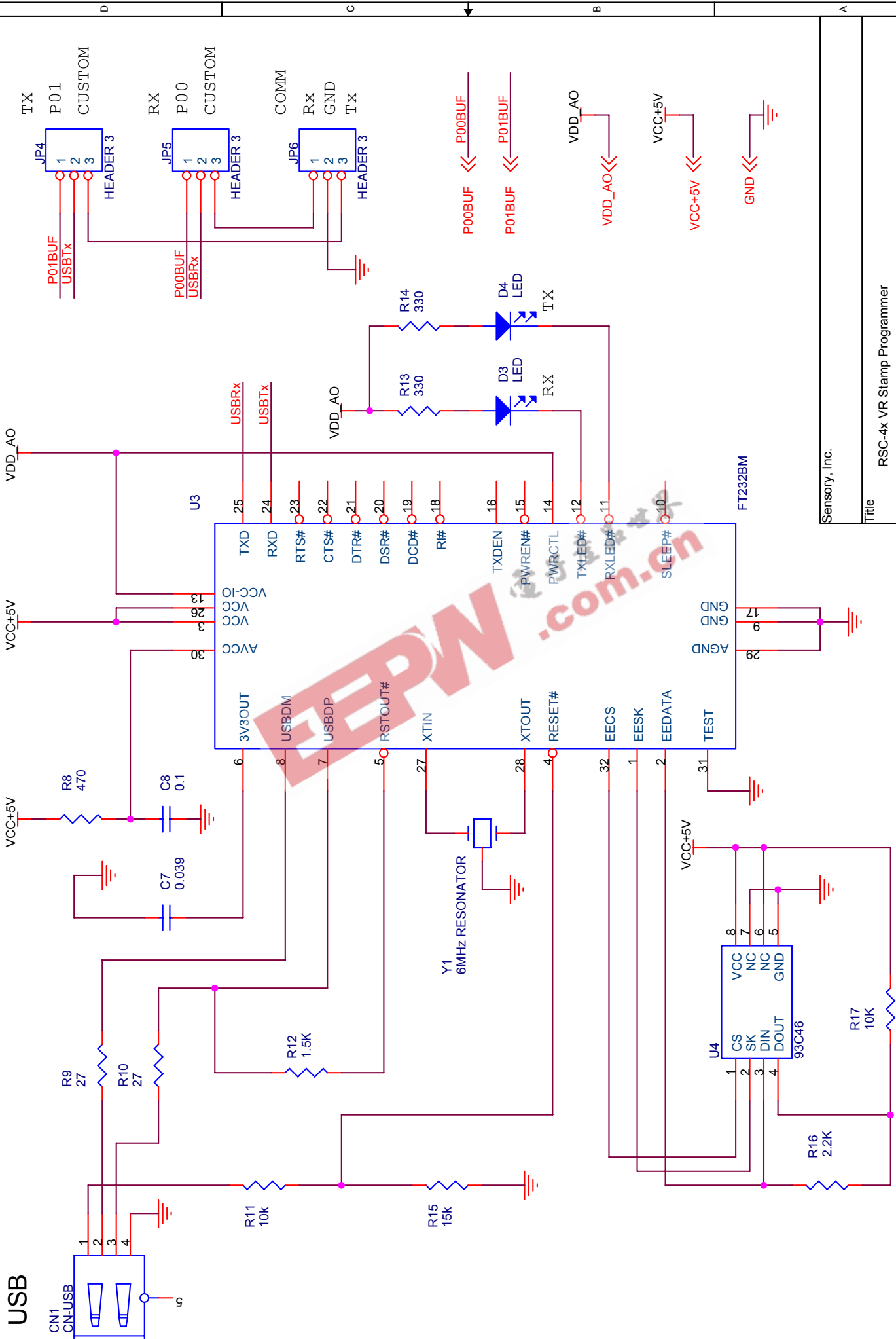


1 2 3 4 5

D C B A

1 2 3 4 5

USB



Sensory, Inc.

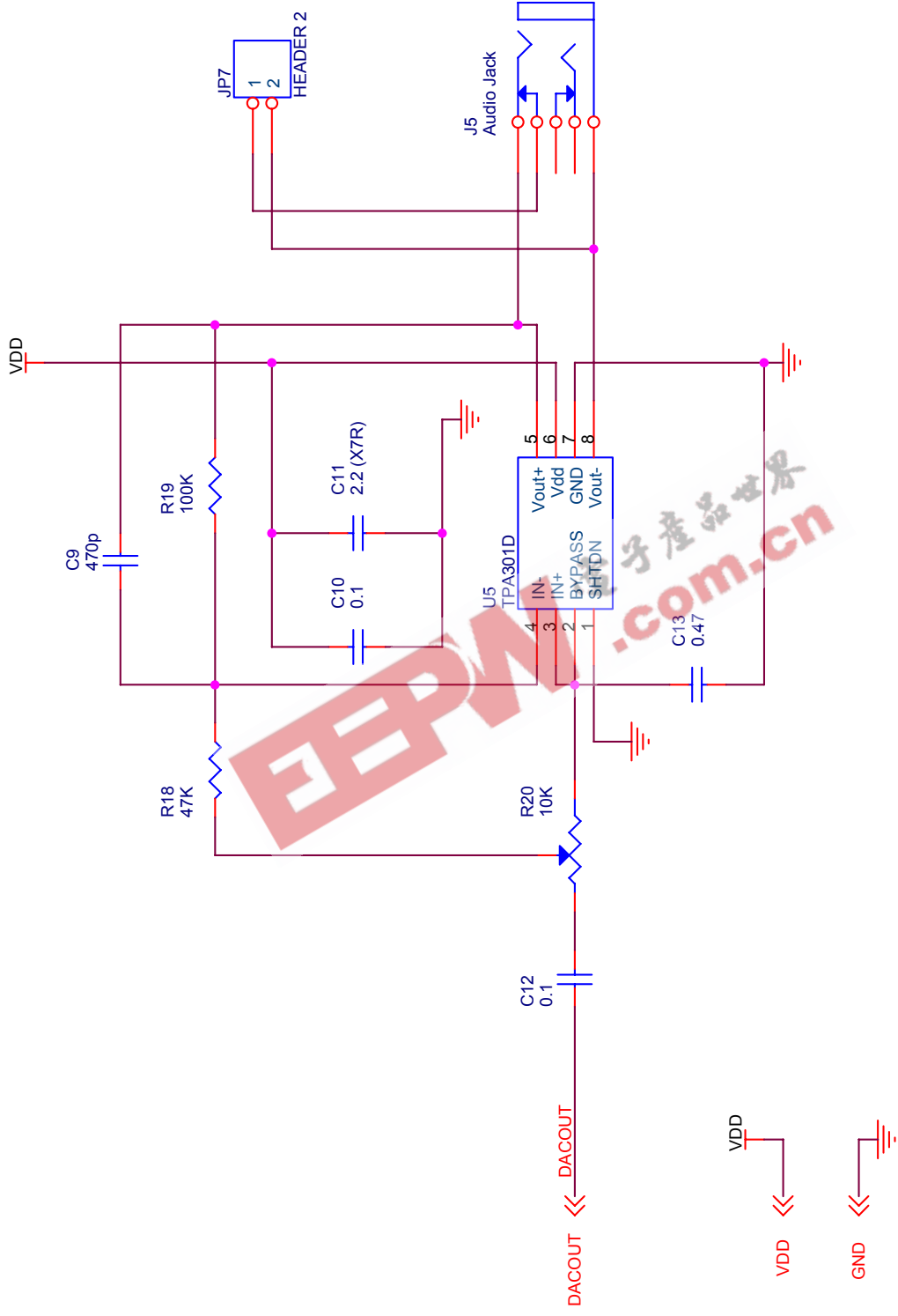
Title RSC-4x VR Stamp Programmer

Size A Document Number 70-0069

Date: Friday, March 18, 2005

Sheet 3 of 4

Rev B



Sensory, Inc.

Title RSC-4x VR Stamp Programmer

Size A Document Number 70-0069

Date: Wednesday, March 16, 2005

Sheet 4 of 4

Rev B

