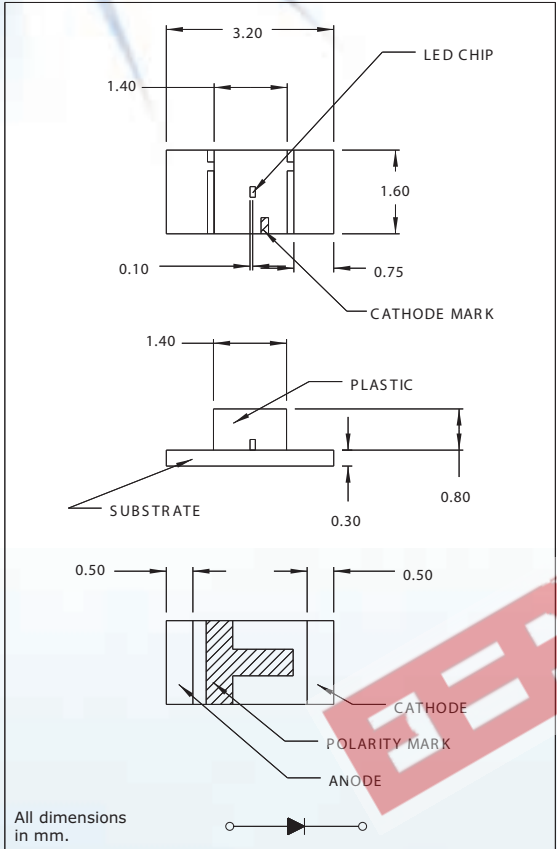


7021X Series Surface Mount LEDs Reverse Mounting

DESCRIPTION AND FEATURES



- Surface Mount Technology**
- Tape and reel packaged for high-speed autoinsertion.
 - Convection and vapor-phase reflow compatible.
 - Compact form enables high density placement.
 - Packaged 3000 per reel.
- Leading Edge LED Optoelectronic Performance**
- Consistent high brightness.
- Exceptional Reliability**
- Stringent process controls assure quality.
 - Extensive qualification testing to meet strictest requirements.
 - Designed to permit easy post-reflow solder joint inspection.
- Solder pad geometry on page 1-X1.

ELECTRO-OPTICAL CHARACTERISTICS AND RATINGS

PART NUMBER	7021X1	7021X3	7021X5	7021X7	7021X15
Output Color	Red	Orange	Green	Yellow	Green
Diffused/Non-Diffused	Diffused	Diffused	Diffused	Diffused	Diffused
Package Color	Clear	Clear	Clear	Clear	Clear
Power Dissipation (mW)	57.5	70	70	70	70
Peak Forward Current Max. (mA)	60	60	60	60	60
Reverse Voltage (IR=100µA) (V)	4	4	4	4	4
Operating temperature (°C)	-30 to +85	-30 to +85	-30 to +85	-30 to +85	-30 to +85
Storage Temperature (°C)	-40 to +100	-40 to +100	-40 to +100	-40 to +100	-40 to +100
Forward Voltage Typ. (IF=20mA)	1.7	2.2	2.1	2.2	2.1
Forward Voltage Max. (IF=20mA)	2.3	2.8	2.8	2.8	2.8
Lead Solder Time @ 260°C (seconds)	5	5	5	5	5
Luminous Intensity Min. (IF=20mA)	7.6	2.2	4.1	2.2	1.6
Luminous Intensity Typ. (IF=20mA)	12.7	3.7	6.9	3.7	2.7
Peak Wavelength (IF=20mA)	660	605	560	580	555
Viewing Angle (degrees)	75	70	70	70	70
Rated Current (mA)	20	20	20	20	20