

7334L2622F01LF

Catalogue Part Number Key

Lead Free Version

Plating : contact

2: 0.4 μ m Gold

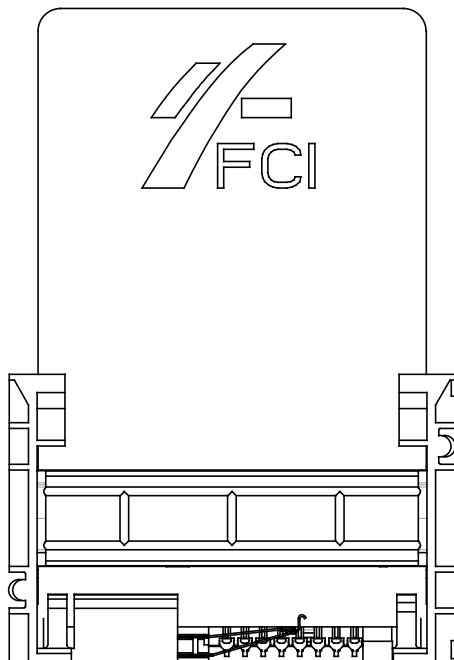
5: 2.0 μ m Gold

Number of contact

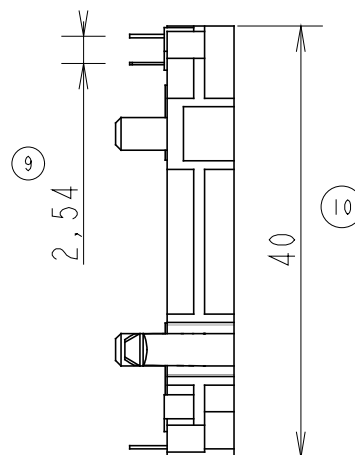
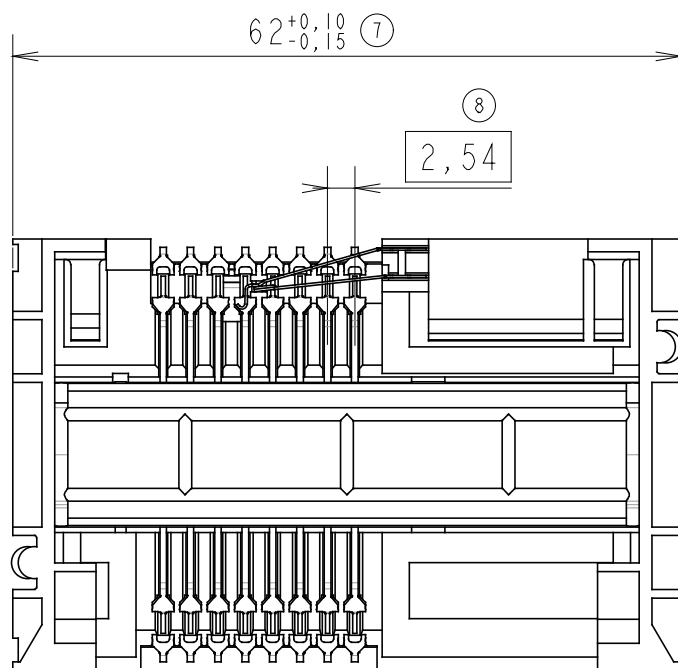
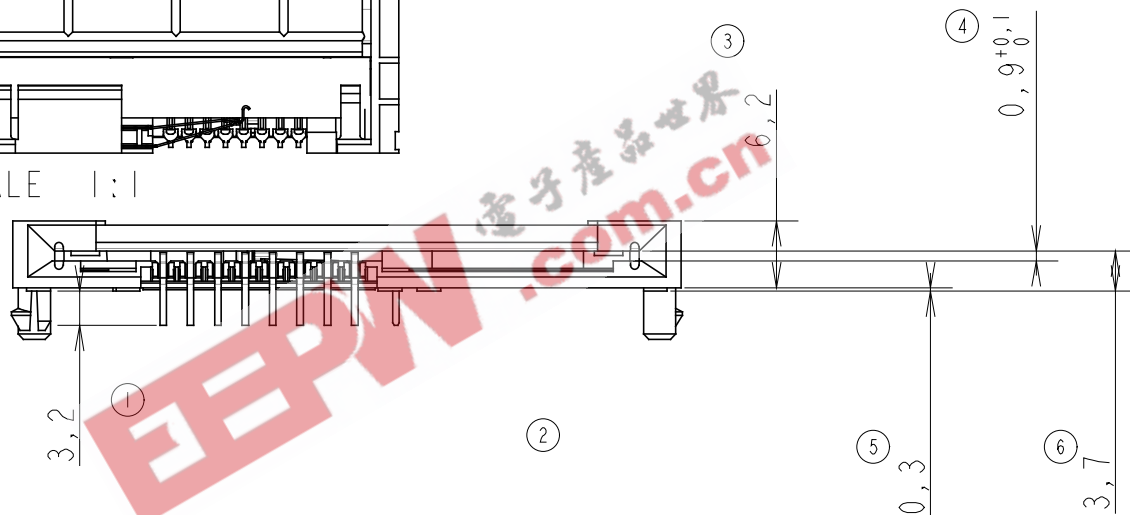
2: 8 contacts

3: 16 contacts

Tous droits strictement reserves. Reproduction ou communication a des tiers interdite sous quelque forme que ce soit sans autorisation ecrite du proprietaire. Propriete de c FCI. Droits de reproduction FCI.



SCALE 1:1



FCI

All rights strictly reserved. Reproduction or issue to third parties in any form whatever is not permitted without written authority from the proprietor. Property of FCI. Copyright FCI.

l tr	ecn no	
A	F20307	
B	LS 3053	
C	105-0071	
-	-	-
-	-	-
-	-	-
-	-	-

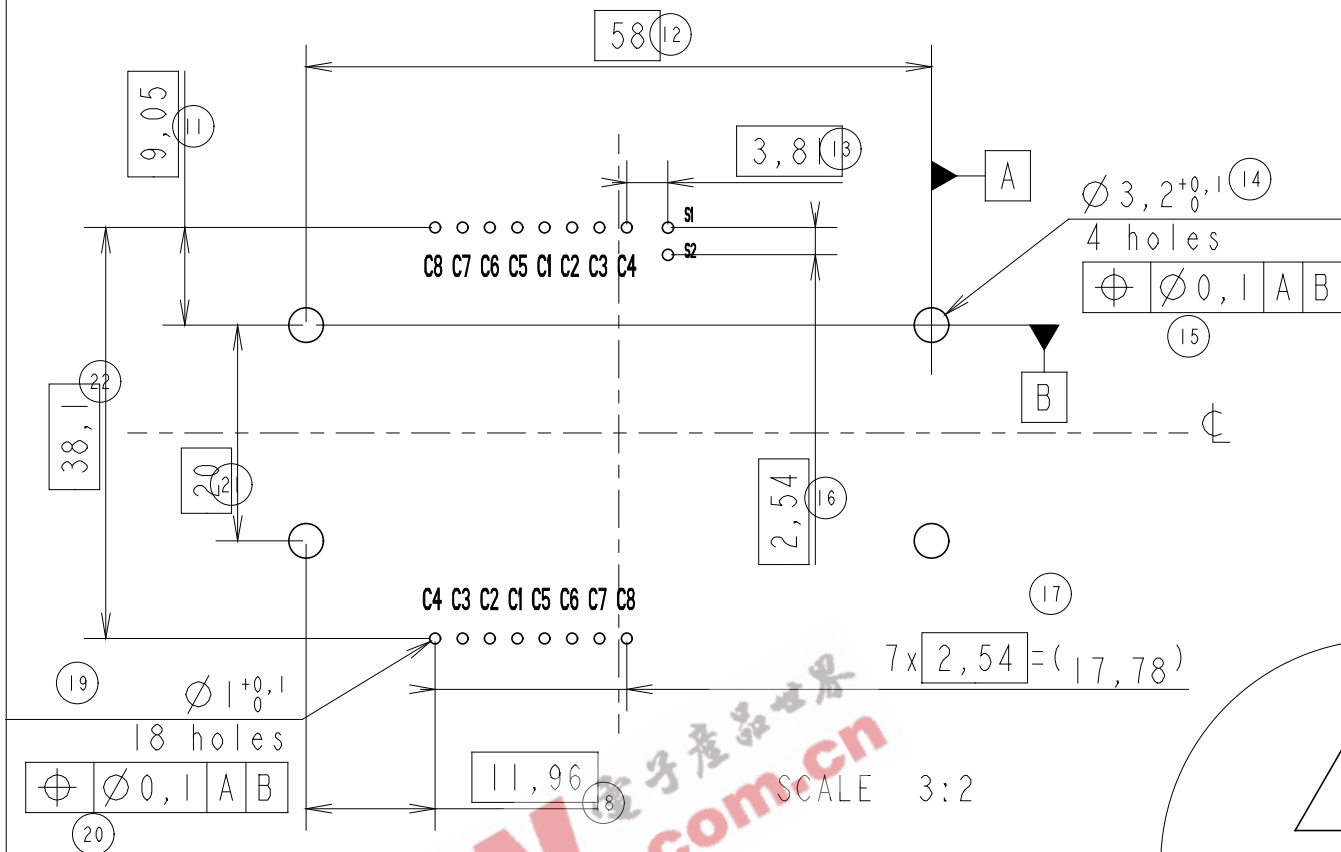
RECOMMENDED PCB LAYOUT

CONTACT CONFIGURATION : ISO & AFNOR
(CONNECTOR SIDE)

Tous droits strictement reserves. Reproduction ou communication a des tiers interdite sous quelque forme que ce soit sans autorisation ecrite du propriétaire. Propriete de c FCI. Droits de reproduction FCI.

A

B



FCI

RECOMMENDED PCB LAYOUT

CONTACT CONFIGURATION : ISO
(CONNECTOR SIDE)

All rights strictly reserved. Reproduction or issue to third parties in any form whatever is not permitted without written authority from the proprietor. Property of FCI. Copyright FCI.

C

D

