

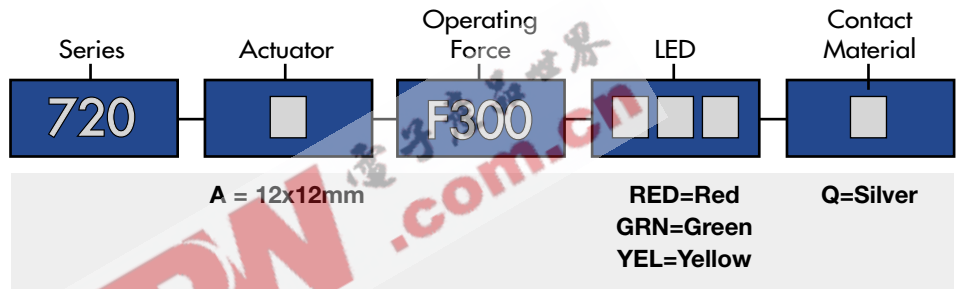
**SPECIFICATIONS**

Ratings:	50mA @ 12 VDC
Electrical Life:	300,000 cycles typical
Contact Resistance:	10mΩ max., typical @ 2-4 VDC, 100mA
Insulation Resistance:	1,000MΩ min.
Dielectric Strength:	>1,000 Vrms at sea level
Operating Force:	300 ± 50 gf

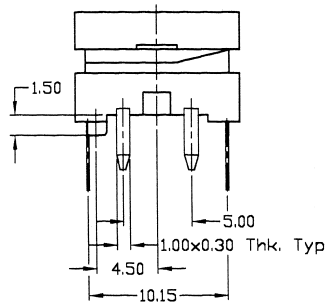
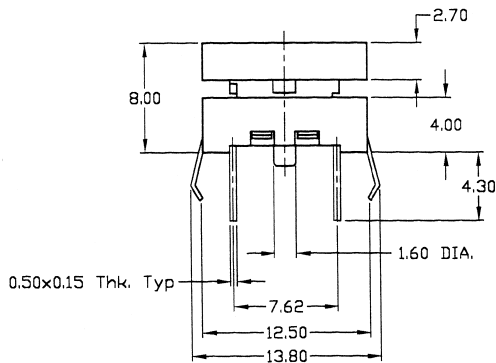
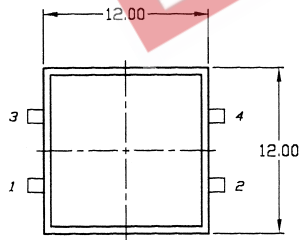
**MATERIALS**

Housing:	6/6 Nylon
Cover:	Polycarbonate (PC)
Lens:	Polycarbonate (PC)
Terminals:	Silver plated copper alloy
Contacts:	Silver plated phosphor bronze

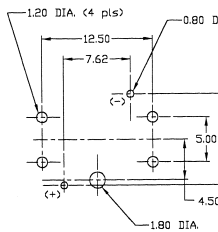
**HOW TO ORDER**



SPECIFICATIONS SUBJECT TO CHANGE WITHOUT NOTICE.



**P.C. MOUNTING**



**Schematic**

