

電子產品世界
www.filtran.com.cn



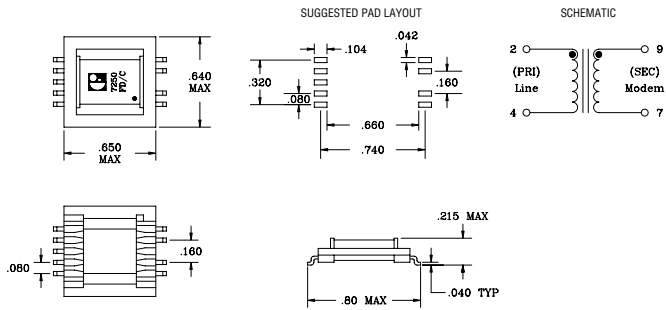
V.90 Modem Transformer 7250



- Suitable for modem speeds up to V.90/56kpbs
- Complies with UL1459 safety norms
- Reflects 600Ω on Primary with 294Ω Secondary load
- Thin (PCMCIA) Profile
- Operating Temperature Range: -40°C to +105°C



Mechanical and Schematic (All dimensions in inches)



ELECTRICAL SPECIFICATION @ 25°C

Part Number	Turns Ratio (±2%)	Insertion Loss (dB TYP)	Return Loss (dB MIN)	Frequency Response (dB)	Longitudinal Balance (dB MIN)	Total Harmonic Distortion (dB TYP)	DCR @ 20°C, ±10% (Ω TYP)		Hipot (V AC)		
		1 kHz	0.2 - 4 kHz	0.2 - 4 kHz	0.06 - 1 kHz	1 - 4 kHz	600 Hz, -10 dBm	150 Hz, -3 dBm		Pri	Sec
7250	1:1	2.65	25	±0.25	60	40	-86	-61	156	145	1250

7250
ISSUE B 06/02/03



FILTRAN LTD
An ISO 9001 Registered Company

229 Colonnade Road, Ottawa, Ontario, Canada K2E 7K3
Tel: (613) 226-1626 Fax: (613) 226-7124 www.filtran.com