

DATA SHEET

EEPW 电子产品世界
.com.cn

74AHC1G66; 74AHCT1G66

Bilateral switch

Product specification
Supersedes data of 2002 Feb 15

2002 Jun 06

Bilateral switch

74AHC1G66; 74AHCT1G66

FEATURES

- Very low ON-resistance:
 - 26 Ω (typical) at $V_{CC} = 3.0$ V
 - 16 Ω (typical) at $V_{CC} = 4.5$ V
 - 14 Ω (typical) at $V_{CC} = 5.5$ V.
- ESD protection:
 - HBM EIA/JESD22-A114-A exceeds 2000 V
 - MM EIA/JESD22-A115-A exceeds 200 V
 - CDM EIA/JESD22-C101 exceeds 1000 V.
- High noise immunity
- Low power dissipation
- Balanced propagation delays
- SOT353 and SOT753 package
- Output capability: non standard
- Specified from -40 to $+125$ °C.

DESCRIPTION

The 74AHC1G/AHCT1G66 is a high-speed Si-gate CMOS device.

The 74AHC1G/AHCT1G66 provides an analog switch. The switch has two input/output pins (Y and Z) and an active HIGH enable input pin (E). When pin E is LOW, the analog switch is turned off.

QUICK REFERENCE DATA

Ground = 0 V; $T_{amb} = 25$ °C; $t_r = t_f \leq 3$ ns.

SYMBOL	PARAMETER	CONDITIONS	TYPICAL		UNIT
			AHC1G	AHCT1G	
t_{PZH}/t_{PZL}	turn-on time E to V_{os}	$C_L = 15$ pF; $R_L = 1$ k Ω ; $V_{CC} = 5$ V	3	3	ns
t_{PHZ}/t_{PLZ}	turn-off time E to V_{os}	$C_L = 15$ pF; $R_L = 1$ k Ω ; $V_{CC} = 5$ V	5	5	ns
C_I	input capacitance		2	2	pF
C_{PD}	power dissipation capacitance	$C_L = 50$ pF; $f = 10$ MHz; notes 1 and 2	13	15	pF
C_S	switch capacitance		4	4	pF

Notes

1. C_{PD} is used to determine the dynamic power dissipation (P_D in μ W).

$$P_D = C_{PD} \times V_{CC}^2 \times f_i + ((C_L + C_S) \times V_{CC}^2 \times f_o)$$
 where:
 f_i = input frequency in MHz;
 f_o = output frequency in MHz;
 C_L = output load capacitance in pF;
 C_S = maximum switch capacitance in pF;
 V_{CC} = supply voltage in Volts.
2. The condition is $V_I = GND$ to V_{CC} .

Bilateral switch

74AHC1G66; 74AHCT1G66

FUNCTION TABLE

See note 1.

INPUT E	SWITCH
L	OFF
H	ON

Note

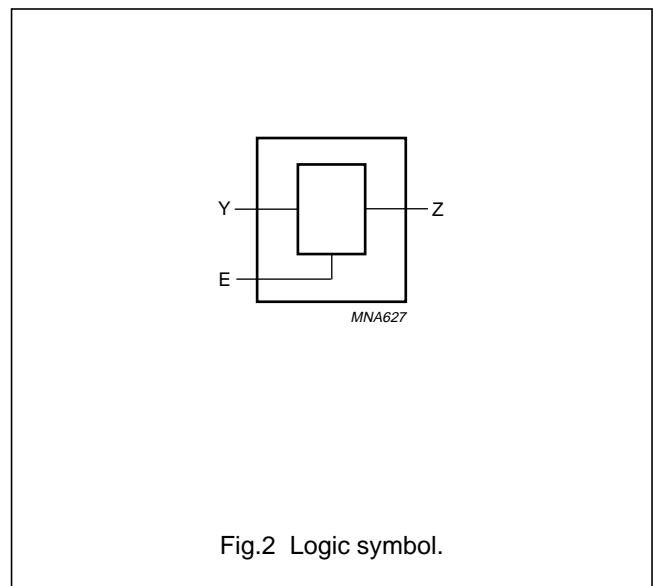
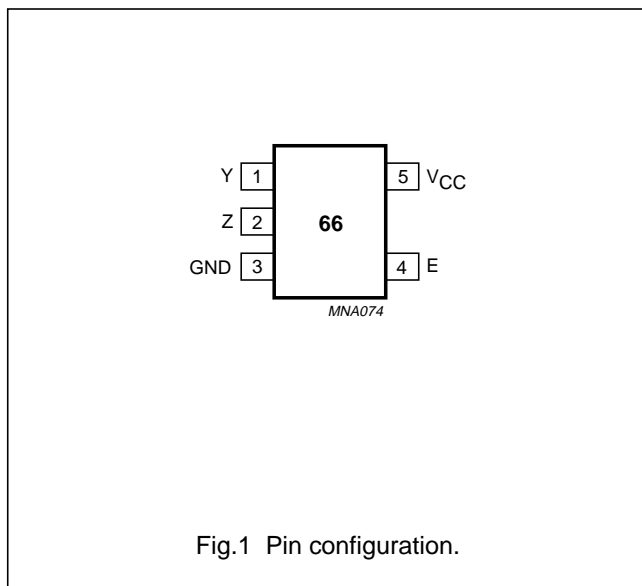
- 1. H = HIGH voltage level;
L = LOW voltage level.

ORDERING INFORMATION

TYPE NUMBER	PACKAGE					
	TEMPERATURE RANGE	PINS	PACKAGE	MATERIAL	CODE	MARKING
74AHC1G66GW	-40 to +125 °C	5	SC-88A	plastic	SOT353	AL
74AHCT1G66GW	-40 to +125 °C	5	SC-88A	plastic	SOT353	CL
74AHC1G66GV	-40 to +125 °C	5	SC-74A	plastic	SOT753	A66
74AHCT1G66GV	-40 to +125 °C	5	SC-74A	plastic	SOT753	C66

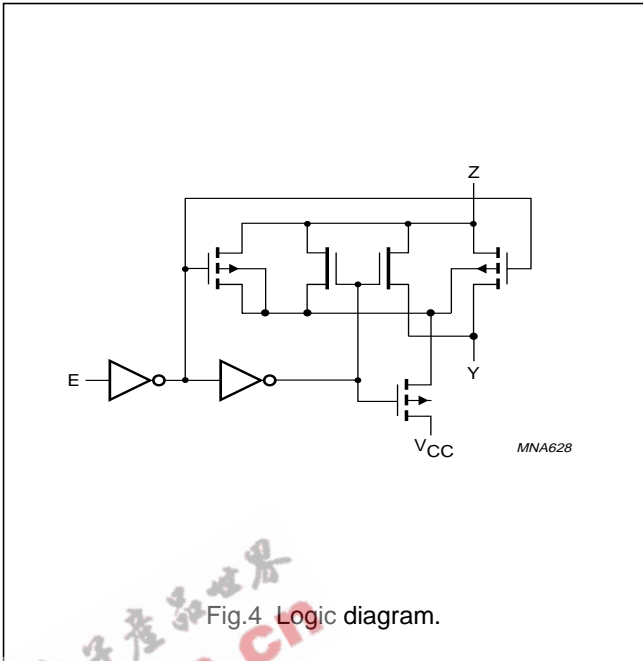
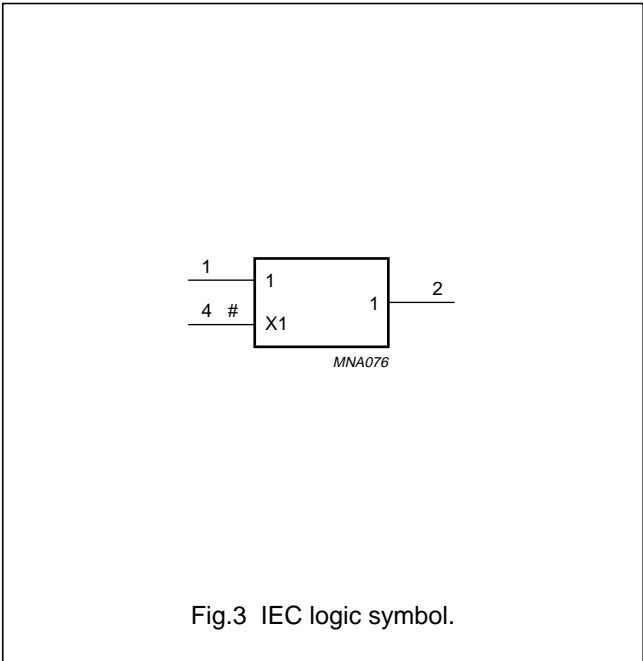
PINNING

PIN	SYMBOL	DESCRIPTION
1	Y	independent input/output
2	Z	independent output/input
3	GND	ground (0 V)
4	E	enable input (active HIGH)
5	V _{CC}	supply voltage



Bilateral switch

74AHC1G66; 74AHCT1G66



EEPW.com.cn 电子产品世界

Bilateral switch

74AHC1G66; 74AHCT1G66

RECOMMENDED OPERATING CONDITIONS

SYMBOL	PARAMETER	CONDITIONS	74AHC1G66			74AHCT1G66			UNIT
			MIN.	TYP.	MAX.	MIN.	TYP.	MAX.	
V_{CC}	supply voltage		2.0	5.0	5.5	4.5	5.0	5.5	V
V_I	input voltage		0	–	5.5	0	–	5.5	V
V_S	switch voltage		0	–	V_{CC}	0	–	V_{CC}	V
T_{amb}	operating ambient temperature	see DC and AC characteristics per device	–40	+25	+125	–40	+25	+125	°C
t_r, t_f	input rise and fall times	$V_{CC} = 3.3 \pm 0.3$ V	–	–	100	–	–	–	ns/V
		$V_{CC} = 5.0 \pm 0.5$ V	–	–	20	–	–	20	ns/V

LIMITING VALUES

In accordance with the Absolute Maximum Rating System (IEC 60134); voltages are referenced to GND (ground = 0 V); note 1.

SYMBOL	PARAMETER	CONDITIONS	MIN.	MAX.	UNIT
V_{CC}	supply voltage		–0.5	+7.0	V
I_{IK}	input diode current	$V_I < -0.5$ V or $V_I > V_{CC} + 0.5$ V	–	–20	mA
I_{SK}	switch diode current	$V_S < -0.5$ V or $V_S > V_{CC} + 0.5$ V	–	±20	mA
I_S	switch source or sink current	-0.5 V < V_O < $V_{CC} + 0.5$ V	–	±25	mA
I_{CC}, I_{GND}	V_{CC} or GND current		–	±75	mA
T_{stg}	storage temperature		–65	+150	°C
P_D	power dissipation per package	for temperature range from –40 to +125 °C	–	250	mW

Note

- To avoid drawing V_{CC} current out of pin Z, when switch current flows into pin Y, the voltage drop across the bidirectional switch must not exceed 0.4 V. If the switch current flows into pin Z, no V_{CC} current will flow out of pin Y. In this case there is no limit for the voltage drop across the switch, but the voltage at pins Y and Z may not exceed V_{CC} or GND.

Bilateral switch

74AHC1G66; 74AHCT1G66

DC CHARACTERISTICS

Type 74AHC1G66

At recommended operating conditions; voltages are referenced to GND (ground = 0 V).

SYMBOL	PARAMETER	TEST CONDITIONS		T _{amb} (°C)						UNIT	
		OTHER	V _{CC} (V)	25			-40 to +85		-40 to +125		
				MIN.	TYP.	MAX.	MIN.	MAX.	MIN.		MAX.
V _{IH}	HIGH-level input voltage		2.0	1.5	–	–	1.5	–	1.5	–	V
			3.0	2.1	–	–	2.1	–	2.1	–	V
			5.5	3.85	–	–	3.85	–	3.85	–	V
V _{IL}	LOW-level input voltage		2.0	–	–	0.5	–	0.5	–	0.5	V
			3.0	–	–	0.9	–	0.9	–	0.9	V
			5.5	–	–	1.65	–	1.65	–	1.65	V
I _{LI}	input leakage current	V _I = V _{CC} or GND	5.5	–	–	0.1	–	1.0	–	2.0	μA
I _S	analog switch current, OFF-state	V _I = V _{IH} or V _{IL} ; V _S = V _{CC} – GND; see Fig.5	5.5	–	–	0.1	–	1.0	–	4.0	μA
	analog switch current, ON-state	V _I = V _{IH} or V _{IL} ; V _S = V _{CC} – GND; see Fig.6	5.5	–	–	0.1	–	1.0	–	4.0	μA
I _{CC}	quiescent supply current	V _I = V _{CC} or GND; V _{is} = GND or V _{CC} ; V _{os} = V _{CC} or GND	5.5	–	–	1.0	–	10	–	40	μA
C _I	input capacitance of enable input (E)			–	2	10	–	10	–	10	pF
C _S	maximum switch capacitance	independent I/O		–	4	10	–	10	–	10	pF

Bilateral switch

74AHC1G66; 74AHCT1G66

Type 74AHCT1G66

At recommended operating conditions; voltages are referenced to GND (ground = 0 V).

SYMBOL	PARAMETER	TEST CONDITIONS		T _{amb} (°C)						UNIT	
		OTHER	V _{CC} (V)	25			-40 to +85		-40 to +125		
				MIN.	TYP.	MAX.	MIN.	MAX.	MIN.		MAX.
V _{IH}	HIGH-level input voltage		4.5 to 5.5	2.0	–	–	2.0	–	2.0	–	V
V _{IL}	LOW-level input voltage		4.5 to 5.5	–	–	0.8	–	0.8	–	0.8	V
I _{LI}	input leakage current	V _I = V _{CC} or GND	5.5	–	–	0.1	–	1.0	–	2.0	μA
I _S	analog switch current, OFF-state	V _I = V _{IH} or V _{IL} ; V _S = V _{CC} – GND; see Fig.5	5.5	–	–	0.1	–	1.0	–	4.0	μA
	analog switch current, ON-state	V _I = V _{IH} or V _{IL} ; V _S = V _{CC} – GND; see Fig.6	5.5	–	–	0.1	–	1.0	–	4.0	μA
I _{CC}	quiescent supply current	V _I = V _{CC} or GND; V _{IS} = GND or V _{CC} ; V _{OS} = V _{CC} or GND	5.5	–	–	1.0	–	10	–	40	μA
ΔI _{CC}	additional quiescent supply current	V _I = 3.4 V; other inputs at V _{CC} or GND; I _O = 0	5.5	–	–	1.35	–	1.5	–	1.5	mA
C _I	input capacitance of enable input (E)			–	2	10	–	10	–	10	pF
C _S	maximum switch capacitance	independent I/O		–	4	10	–	10	–	10	pF

Bilateral switch

74AHC1G66; 74AHCT1G66

Type 74AHC1G66 and 74AHCT1G66

For 74AHC1G66: $V_{CC} = 2.0, 3.0, 4.5$ and 5.5 V; or 74AHCT1G66: $V_{CC} = 4.5$ and 5.5 V.

SYMBOL	PARAMETER	TEST CONDITIONS	T_{amb} (°C)						UNIT		
			25			-40 to +85		-40 to +125			
			MIN.	TYP.	MAX.	MIN.	MAX.	MIN.		MAX.	
$V_{CC} = 2.0$ V; $I_S = 1$ mA; $V_I = V_{IH}$ or V_{IL}; see Figs 7 and 8											
R _{ON}	ON-resistance (peak)	$V_{is} = V_{CC}$ to GND	–	148 ⁽¹⁾	–	–	–	–	–	–	Ω
	ON-resistance (rail)	$V_{is} = GND$	–	30	–	–	–	–	–	–	Ω
		$V_{is} = V_{CC}$	–	28	–	–	–	–	–	–	Ω
$V_{CC} = 3.0$ to 3.6 V; $I_S = 10$ mA; $V_I = V_{IH}$ or V_{IL}; see Figs 7 and 8											
R _{ON}	ON-resistance (peak)	$V_{is} = V_{CC}$ to GND	–	28	50	–	70	–	110	–	Ω
	ON-resistance (rail)	$V_{is} = GND$	–	20	50	–	65	–	90	–	Ω
		$V_{is} = V_{CC}$	–	18	50	–	65	–	90	–	Ω
$V_{CC} = 4.5$ to 5.5 V; $I_S = 10$ mA; $V_I = V_{IH}$ or V_{IL}; see Figs 7 and 8											
R _{ON}	ON-resistance (peak)	$V_{is} = V_{CC}$ to GND	–	15	30	–	40	–	60	–	Ω
	ON-resistance (rail)	$V_{is} = GND$	–	15	22	–	26	–	40	–	Ω
		$V_{is} = V_{CC}$	–	13	22	–	26	–	40	–	Ω

Note

- At supply voltage approaching 2 V, the analog switch ON-resistance becomes extremely non-linear. Therefore, it is recommended that these devices are used to transmit digital signals only, when using this supply voltage.

Bilateral switch

74AHC1G66; 74AHCT1G66

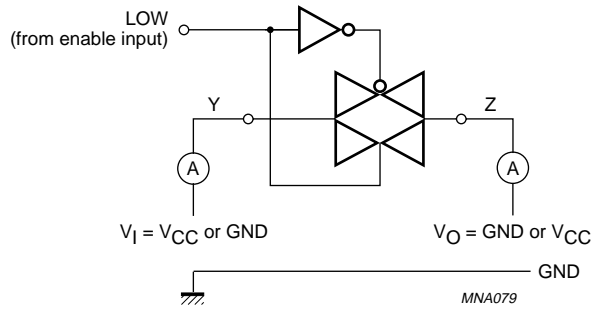


Fig.5 Test circuit for measuring OFF-state current.

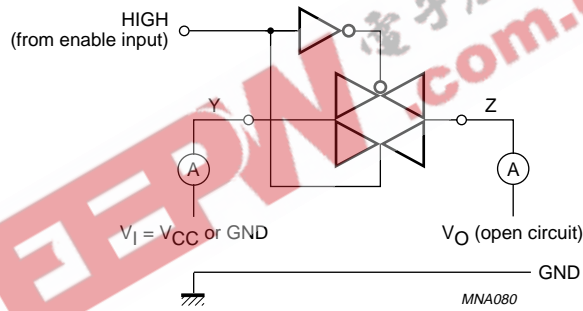


Fig.6 Test circuit for measuring ON-state current.

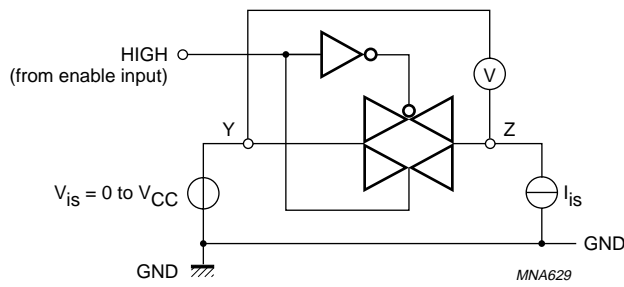
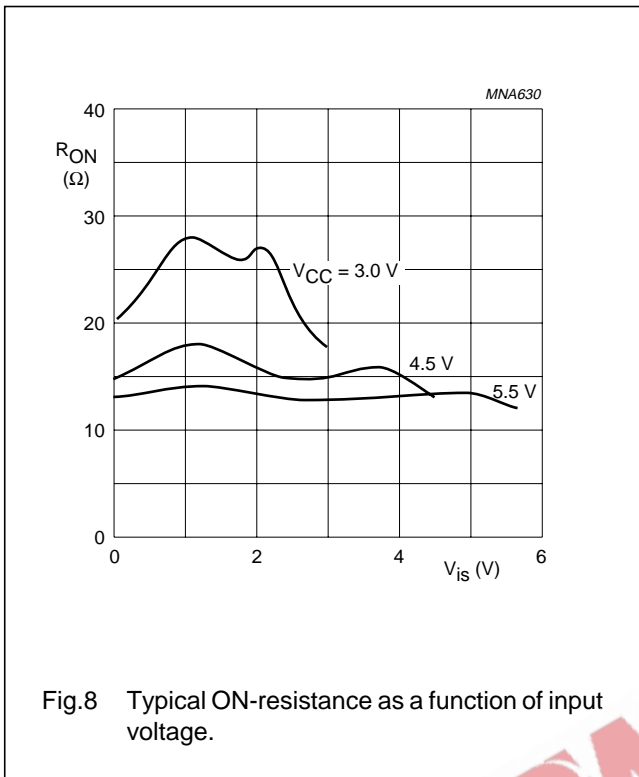


Fig.7 Test circuit for measuring ON-resistance (R_{ON}).

Bilateral switch

74AHC1G66; 74AHCT1G66



Bilateral switch

74AHC1G66; 74AHCT1G66

AC CHARACTERISTICS

Type 74AHC1G66

GND = 0 V; $t_r = t_f \leq 3$ ns.

SYMBOL	PARAMETER	TEST CONDITIONS		T_{amb} (°C)						UNIT	
		WAVEFORMS	C_L (pF)	25			-40 to +85		-40 to +125		
				MIN.	TYP.	MAX.	MIN.	MAX.	MIN.		MAX.
$V_{CC} = 2.0$ V; $R_L = 1$ kΩ; note 1											
t_{PHL}/t_{PLH}	propagation delay V_{is} to V_{os}	see Figs 13 and 16	50	–	2.2	5.0	–	6.0	–	7.0	ns
t_{PZH}/t_{PZL}	turn-on time E to V_{os}	see Figs 14 and 16	15	–	7.0	25.0	–	33.0	–	40.0	ns
			50	–	11.0	35.0	–	46.0	–	57.0	ns
t_{PHZ}/t_{PLZ}	turn-off time E to V_{os}	see Figs 14 and 16	15	–	9.0	25.0	–	33.0	–	40.0	ns
			50	–	13.0	35.0	–	46.0	–	57.0	ns
$V_{CC} = 3.0$ to 3.6 V; $R_L = 1$ kΩ; note 1											
t_{PHL}/t_{PLH}	propagation delay V_{is} to V_{os}	see Figs 13 and 16	50	–	1.0	2.0	–	3.0	–	4.0	ns
t_{PZH}/t_{PZL}	turn-on time E to V_{os}	see Figs 14 and 16	15	–	4.0	11.0	–	14.0	–	18.0	ns
			50	–	5.8	15.0	–	20.0	–	25.0	ns
t_{PHZ}/t_{PLZ}	turn-off time E to V_{os}	see Figs 14 and 16	15	–	6.0	11.0	–	14.0	–	18.0	ns
			50	–	8.4	15.0	–	20.0	–	25.0	ns
$V_{CC} = 4.5$ to 5.5 V; $R_L = 1$ kΩ; note 1											
t_{PHL}/t_{PLH}	propagation delay V_{is} to V_{os}	see Figs 13 and 16	50	–	0.6	1.0	–	2.0	–	3.0	ns
t_{PZH}/t_{PZL}	turn-on time E to V_{os}	see Figs 14 and 16	15	–	3.0	8.0	–	10.0	–	13.0	ns
			50	–	4.4	11.0	–	13.0	–	17.0	ns
t_{PHZ}/t_{PLZ}	turn-off time E to V_{os}	see Figs 14 and 16	15	–	5.0	8.0	–	10.0	–	13.0	ns
			50	–	6.1	11.0	–	13.0	–	17.0	ns

Note

1. Typical values are measured at $V_{CC} = 2.0$ V; $V_{CC} = 3.3$ V or $V_{CC} = 5.0$ V and $T_{amb} = 25$ °C.

Bilateral switch

74AHC1G66; 74AHCT1G66

74AHCT1G66GND = 0 V; $t_r = t_f \leq 3$ ns.

SYMBOL	PARAMETER	TEST CONDITIONS		T _{amb} (°C)						UNIT	
		WAVEFORMS	C _L (pF)	25			-40 to +85		-40 to +125		
				MIN.	TYP.	MAX.	MIN.	MAX.	MIN.		MAX.
V _{CC} = 4.5 to 5.5 V; R _L = 1 kΩ; note 1											
t _{PHL} /t _{PLH}	propagation delay V _{is} to V _{os}	see Figs 13 and 16	50	–	0.7	1.0	–	2.0	–	3.0	ns
t _{PZH} /t _{PZL}	turn-on time E to V _{os}	see Figs 14 and 16	15	–	3.0	7.0	–	10.0	–	13.0	ns
			50	–	4.7	10.0	–	13.0	–	17.0	ns
t _{PHZ} /t _{PLZ}	turn-off time E to V _{os}	see Figs 14 and 16	15	–	5.0	8.0	–	10.0	–	13.0	ns
			50	–	6.5	11.0	–	13.0	–	17.0	ns

Note1. All typical values are measured at V_{CC} = 5 V.**TYPE 74AHC1G66 AND 74AHCT1G66**

Recommended conditions and typical values. GND = 0 V; $t_r = t_f = 3$ ns. V_{is} is the input voltage at pins Y or Z, whichever is assigned as an input. V_{os} is the output voltage at pin Y or Z, whichever is assigned as an output.

SYMBOL	PARAMETER	TEST CONDITIONS	V _{is(p-p)} (V)	V _{CC} (V)	TYPICAL	UNIT
	sine-wave distortion at f _{in} = 1 kHz	R _L = 10 kΩ; C _L = 50 pF; see Fig.9	2.5	3.0 to 3.6	0.025	%
			4.0	4.5 to 5.5	0.015	%
	sine-wave distortion at f _{in} = 10 kHz	R _L = 10 kΩ; C _L = 50 pF; see Fig.9	2.5	3.0 to 3.6	0.025	%
			4.0	4.5 to 5.5	0.015	%
	switch OFF signal feed-through	R _L = 600 Ω; C _L = 50 pF; f = 1 MHz; see Fig.10	note 1	3.0 to 3.6	–50	dB
				4.5 to 5.5	–50	dB
f _{max}	minimum frequency response (–3 dB)	R _L = 50 Ω; C _L = 10 pF; see Figs 11 and 12	note 2	3.0 to 3.6	230	MHz
				4.5 to 5.5	280	MHz

Notes

- Adjust input voltage V_{is} is 0 dBm level (0 dBm = 1 mW into 600 Ω).
- Adjust input voltage V_{is} is 0 dBm level at V_{os} for 1 MHz (0 dBm = 1 mW into 50 Ω).

Bilateral switch

74AHC1G66; 74AHCT1G66

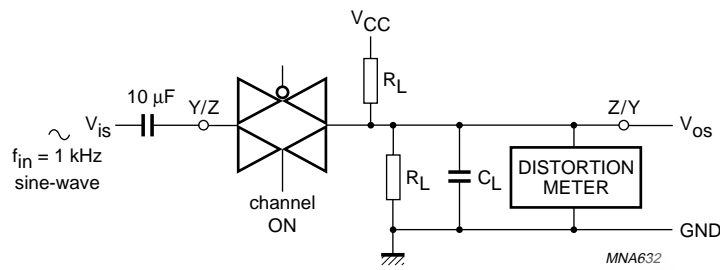


Fig.9 Test circuit for measuring sine-wave distortion.

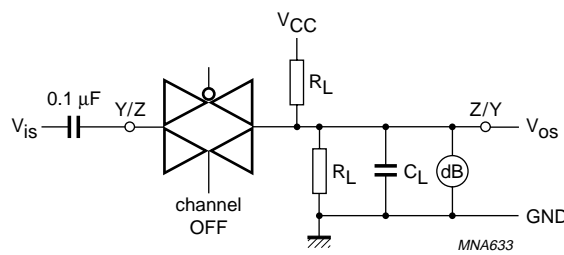
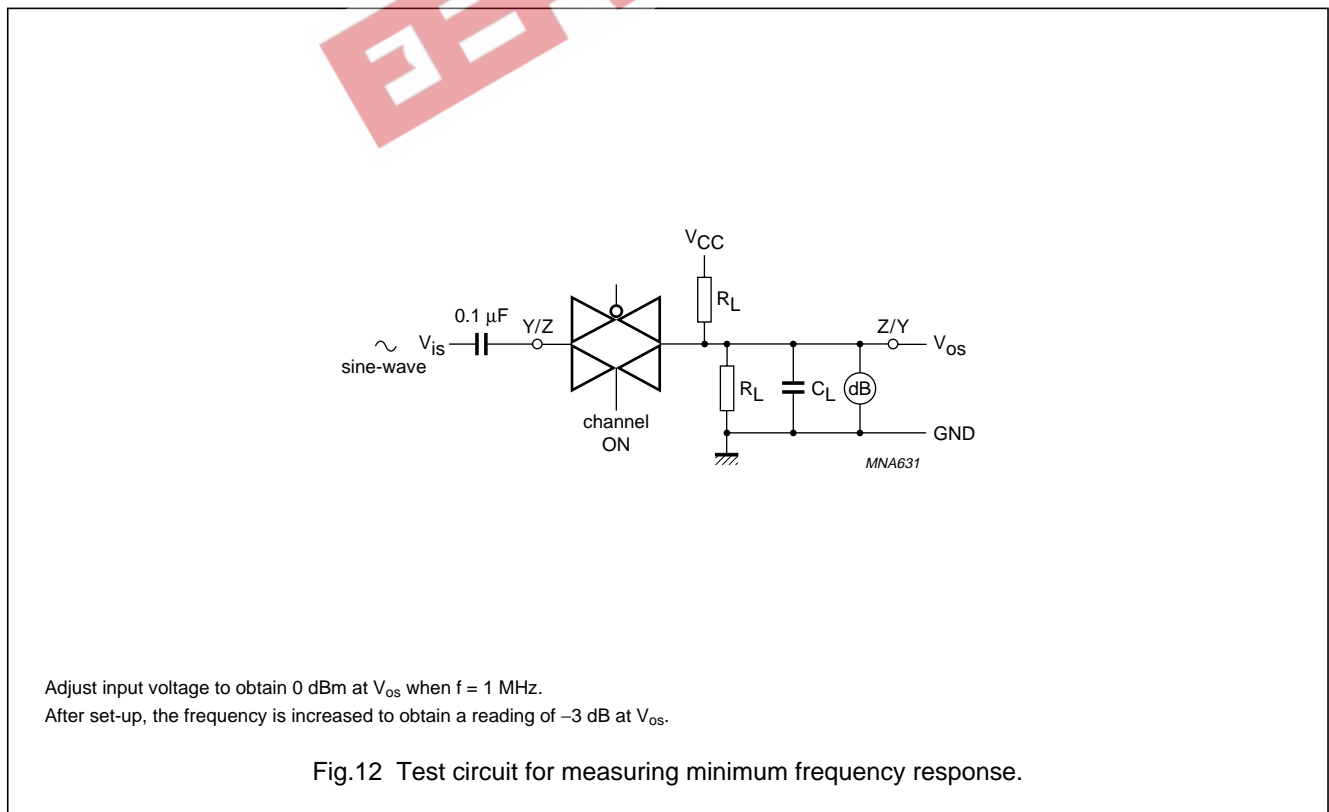
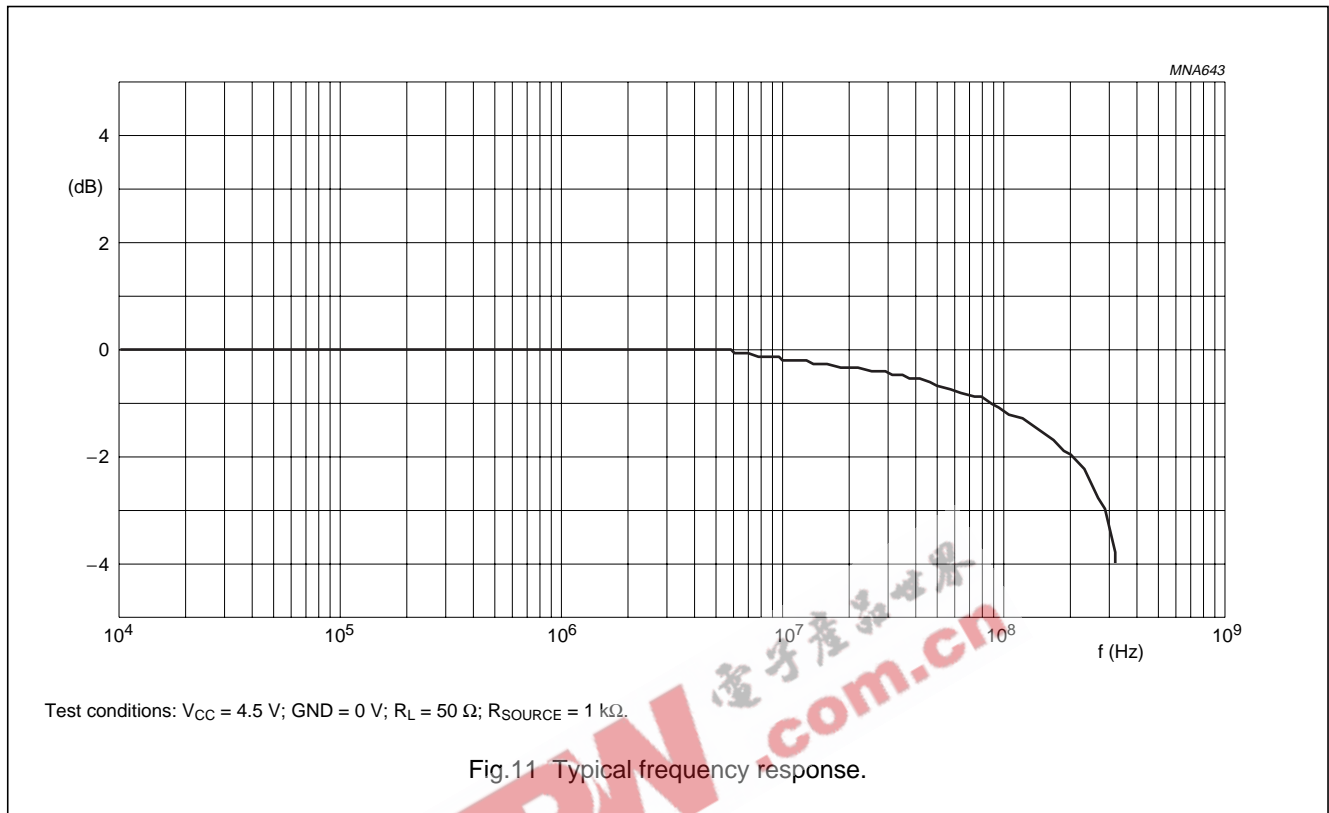


Fig.10 Test circuit for measuring switch OFF signal feed-through.

Bilateral switch

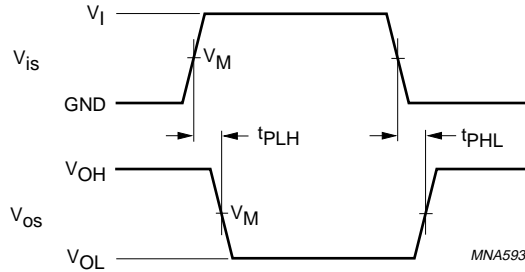
74AHC1G66; 74AHCT1G66



Bilateral switch

74AHC1G66; 74AHCT1G66

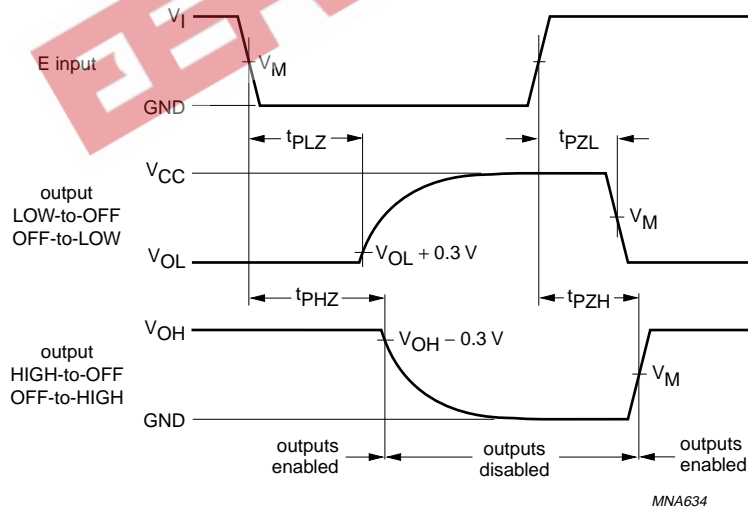
AC WAVEFORMS



V _I INPUT REQUIREMENTS	V _M INPUT
GND to V _{CC}	50% V _{CC}

V_{OL} and V_{OH} are typical output voltage drop that occur with the output load.

Fig.13 The input (V_i) to output (V_o) propagation delays.

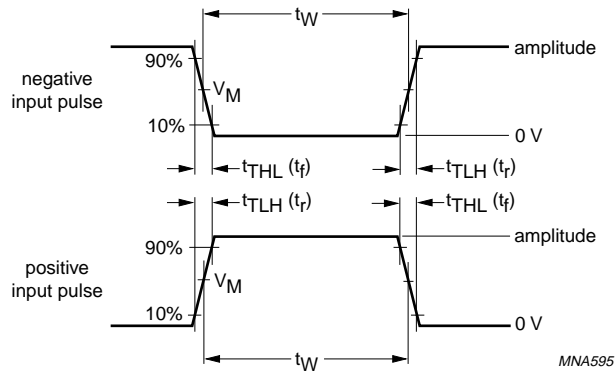


TYPE	V _I INPUT REQUIREMENTS	V _M INPUT	V _M OUTPUT
AHC1G	GND to V _{CC}	50% V _{CC}	50% V _{CC}
AHCT1G	GND to 3.0 V	1.5 V	1.5 V

Fig.14 The turn-on and turn-off times.

Bilateral switch

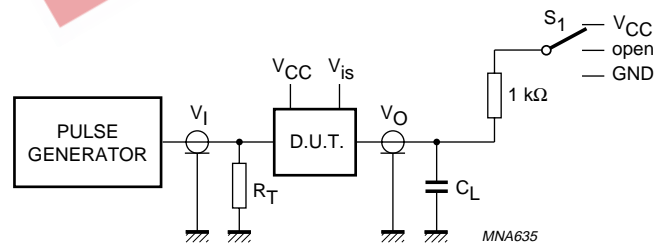
74AHC1G66; 74AHCT1G66



FAMILY	V _I INPUT REQUIREMENTS	V _M INPUT
AHC1G	GND to V _{CC}	50% V _{CC}
AHCT1G	GND to 3.0 V	1.5 V

t_r = t_f = 3 ns, when measuring f_{max}, there is no constraint on t_r, t_f with 50% duty factor.

Fig.15 Input pulse definitions.



TEST	S ₁	V _{is}
t _{PLH} /t _{PHL}	open	pulse
t _{PLZ} /t _{PZL}	V _{CC}	GND
t _{PHZ} /t _{PZH}	GND	V _{CC}

Definitions for test circuit:

C_L = load capacitance including jig and probe capacitance (see "AC characteristics" for values).

R_T = termination resistance should be equal to the output impedance Z_o of the pulse generator.

Fig.16 Load circuitry for switching times.

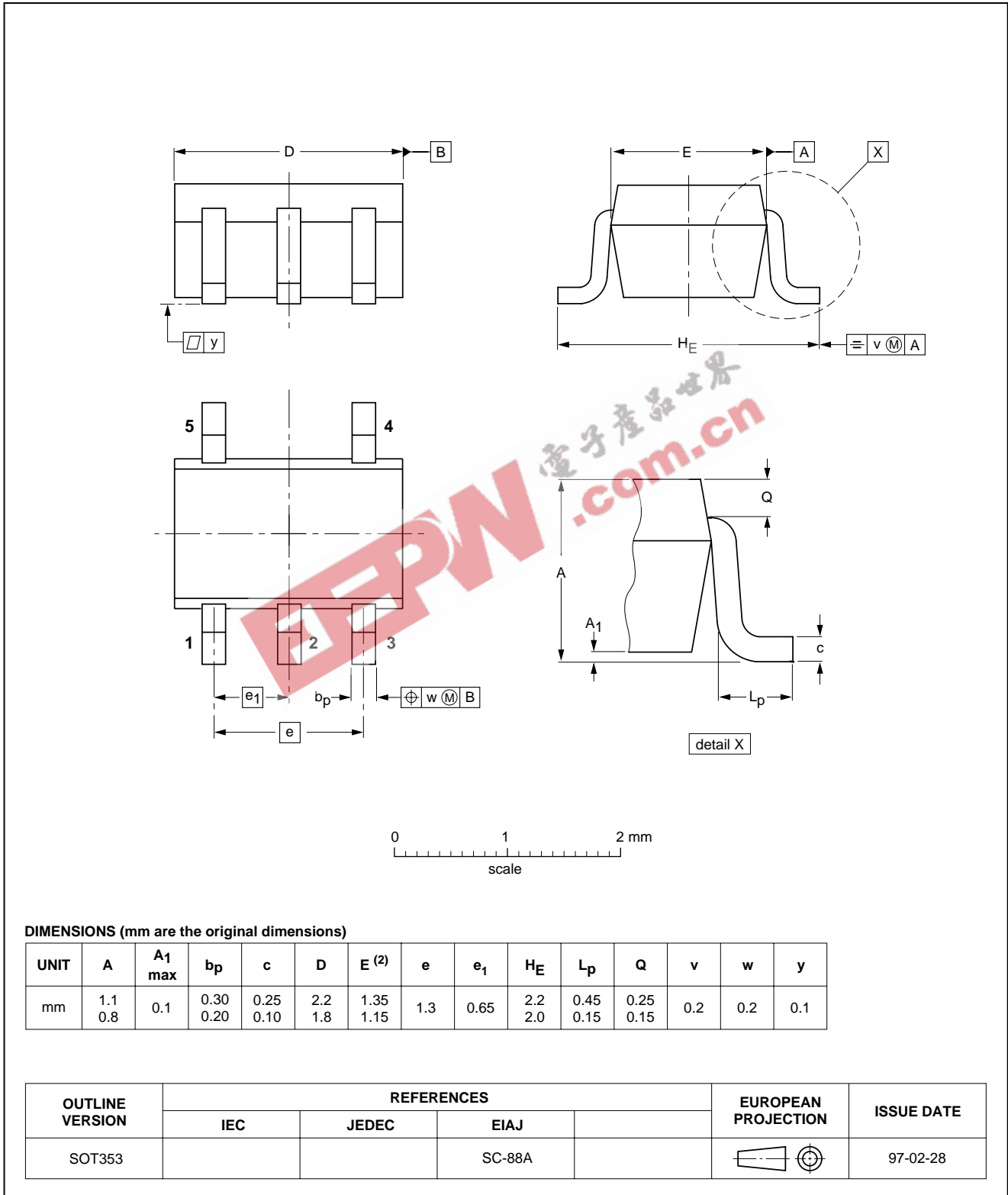
Bilateral switch

74AHC1G66; 74AHCT1G66

PACKAGE OUTLINES

Plastic surface mounted package; 5 leads

SOT353

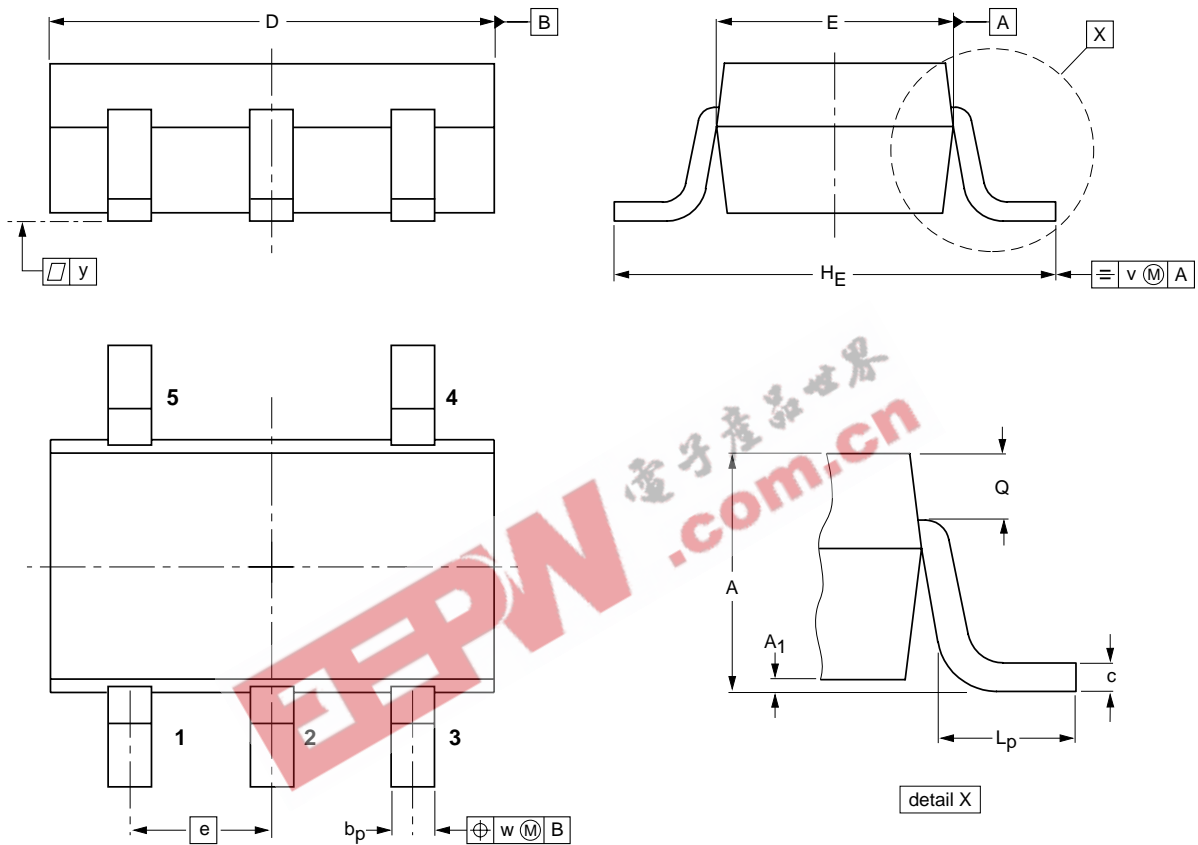


Bilateral switch

74AHC1G66; 74AHCT1G66

Plastic surface mounted package; 5 leads

SOT753



DIMENSIONS (mm are the original dimensions)

UNIT	A	A ₁	b _p	c	D	E	e	H _E	L _p	Q	v	w	y
mm	1.1 0.9	0.100 0.013	0.40 0.25	0.26 0.10	3.1 2.7	1.7 1.3	0.95	3.0 2.5	0.6 0.2	0.33 0.23	0.2	0.2	0.1

OUTLINE VERSION	REFERENCES				EUROPEAN PROJECTION	ISSUE DATE
	IEC	JEDEC	JEITA			
SOT753			SC-74A			02-04-16

Bilateral switch

74AHC1G66; 74AHCT1G66

SOLDERING

Introduction to soldering surface mount packages

This text gives a very brief insight to a complex technology. A more in-depth account of soldering ICs can be found in our *"Data Handbook IC26; Integrated Circuit Packages"* (document order number 9398 652 90011).

There is no soldering method that is ideal for all surface mount IC packages. Wave soldering can still be used for certain surface mount ICs, but it is not suitable for fine pitch SMDs. In these situations reflow soldering is recommended.

Reflow soldering

Reflow soldering requires solder paste (a suspension of fine solder particles, flux and binding agent) to be applied to the printed-circuit board by screen printing, stencilling or pressure-syringe dispensing before package placement.

Several methods exist for reflowing; for example, convection or convection/infrared heating in a conveyor type oven. Throughput times (preheating, soldering and cooling) vary between 100 and 200 seconds depending on heating method.

Typical reflow peak temperatures range from 215 to 250 °C. The top-surface temperature of the packages should preferably be kept below 220 °C for thick/large packages, and below 235 °C for small/thin packages.

Wave soldering

Conventional single wave soldering is not recommended for surface mount devices (SMDs) or printed-circuit boards with a high component density, as solder bridging and non-wetting can present major problems.

To overcome these problems the double-wave soldering method was specifically developed.

If wave soldering is used the following conditions must be observed for optimal results:

- Use a double-wave soldering method comprising a turbulent wave with high upward pressure followed by a smooth laminar wave.
- For packages with leads on two sides and a pitch (e):
 - larger than or equal to 1.27 mm, the footprint longitudinal axis is **preferred** to be parallel to the transport direction of the printed-circuit board;
 - smaller than 1.27 mm, the footprint longitudinal axis **must** be parallel to the transport direction of the printed-circuit board.

The footprint must incorporate solder thieves at the downstream end.

- For packages with leads on four sides, the footprint must be placed at a 45° angle to the transport direction of the printed-circuit board. The footprint must incorporate solder thieves downstream and at the side corners.

During placement and before soldering, the package must be fixed with a droplet of adhesive. The adhesive can be applied by screen printing, pin transfer or syringe dispensing. The package can be soldered after the adhesive is cured.

Typical dwell time is 4 seconds at 250 °C.

A mildly-activated flux will eliminate the need for removal of corrosive residues in most applications.

Manual soldering

Fix the component by first soldering two diagonally-opposite end leads. Use a low voltage (24 V or less) soldering iron applied to the flat part of the lead. Contact time must be limited to 10 seconds at up to 300 °C.

When using a dedicated tool, all other leads can be soldered in one operation within 2 to 5 seconds between 270 and 320 °C.

Bilateral switch

74AHC1G66; 74AHCT1G66

Suitability of surface mount IC packages for wave and reflow soldering methods

PACKAGE ⁽¹⁾	SOLDERING METHOD	
	WAVE	REFLOW ⁽²⁾
BGA, LBGA, LFBGA, SQFP, TFBGA, VFBGA	not suitable	suitable
HBCC, HBGA, HLQFP, HSQFP, HSOP, HTQFP, HTSSOP, HVQFN, HVSON, SMS	not suitable ⁽³⁾	suitable
PLCC ⁽⁴⁾ , SO, SOJ	suitable	suitable
LQFP, QFP, TQFP	not recommended ⁽⁴⁾⁽⁵⁾	suitable
SSOP, TSSOP, VSO	not recommended ⁽⁶⁾	suitable

Notes

1. For more detailed information on the BGA packages refer to the “(LF)BGA Application Note” (AN01026); order a copy from your Philips Semiconductors sales office.
2. All surface mount (SMD) packages are moisture sensitive. Depending upon the moisture content, the maximum temperature (with respect to time) and body size of the package, there is a risk that internal or external package cracks may occur due to vaporization of the moisture in them (the so called popcorn effect). For details, refer to the Drypack information in the “Data Handbook IC26; Integrated Circuit Packages; Section: Packing Methods”.
3. These packages are not suitable for wave soldering. On versions with the heatsink on the bottom side, the solder cannot penetrate between the printed-circuit board and the heatsink. On versions with the heatsink on the top side, the solder might be deposited on the heatsink surface.
4. If wave soldering is considered, then the package must be placed at a 45° angle to the solder wave direction. The package footprint must incorporate solder thieves downstream and at the side corners.
5. Wave soldering is suitable for LQFP, TQFP and QFP packages with a pitch (e) larger than 0.8 mm; it is definitely not suitable for packages with a pitch (e) equal to or smaller than 0.65 mm.
6. Wave soldering is suitable for SSOP and TSSOP packages with a pitch (e) equal to or larger than 0.65 mm; it is definitely not suitable for packages with a pitch (e) equal to or smaller than 0.5 mm.

Bilateral switch

74AHC1G66; 74AHCT1G66

DATA SHEET STATUS

DATA SHEET STATUS ⁽¹⁾	PRODUCT STATUS ⁽²⁾	DEFINITIONS
Objective data	Development	This data sheet contains data from the objective specification for product development. Philips Semiconductors reserves the right to change the specification in any manner without notice.
Preliminary data	Qualification	This data sheet contains data from the preliminary specification. Supplementary data will be published at a later date. Philips Semiconductors reserves the right to change the specification without notice, in order to improve the design and supply the best possible product.
Product data	Production	This data sheet contains data from the product specification. Philips Semiconductors reserves the right to make changes at any time in order to improve the design, manufacturing and supply. Changes will be communicated according to the Customer Product/Process Change Notification (CPCN) procedure SNW-SQ-650A.

Notes

1. Please consult the most recently issued data sheet before initiating or completing a design.
2. The product status of the device(s) described in this data sheet may have changed since this data sheet was published. The latest information is available on the Internet at URL <http://www.semiconductors.philips.com>.

DEFINITIONS

Short-form specification — The data in a short-form specification is extracted from a full data sheet with the same type number and title. For detailed information see the relevant data sheet or data handbook.

Limiting values definition — Limiting values given are in accordance with the Absolute Maximum Rating System (IEC 60134). Stress above one or more of the limiting values may cause permanent damage to the device. These are stress ratings only and operation of the device at these or at any other conditions above those given in the Characteristics sections of the specification is not implied. Exposure to limiting values for extended periods may affect device reliability.

Application information — Applications that are described herein for any of these products are for illustrative purposes only. Philips Semiconductors make no representation or warranty that such applications will be suitable for the specified use without further testing or modification.

DISCLAIMERS

Life support applications — These products are not designed for use in life support appliances, devices, or systems where malfunction of these products can reasonably be expected to result in personal injury. Philips Semiconductors customers using or selling these products for use in such applications do so at their own risk and agree to fully indemnify Philips Semiconductors for any damages resulting from such application.

Right to make changes — Philips Semiconductors reserves the right to make changes, without notice, in the products, including circuits, standard cells, and/or software, described or contained herein in order to improve design and/or performance. Philips Semiconductors assumes no responsibility or liability for the use of any of these products, conveys no licence or title under any patent, copyright, or mask work right to these products, and makes no representations or warranties that these products are free from patent, copyright, or mask work right infringement, unless otherwise specified.

Bilateral switch

74AHC1G66; 74AHCT1G66

NOTES



Bilateral switch

74AHC1G66; 74AHCT1G66

NOTES



Philips Semiconductors – a worldwide company

Contact information

For additional information please visit <http://www.semiconductors.philips.com>. Fax: +31 40 27 24825
For sales offices addresses send e-mail to: sales.addresses@www.semiconductors.philips.com.

EEPW.com.cn 电子世界

© Koninklijke Philips Electronics N.V. 2002

SCA74

All rights are reserved. Reproduction in whole or in part is prohibited without the prior written consent of the copyright owner.

The information presented in this document does not form part of any quotation or contract, is believed to be accurate and reliable and may be changed without notice. No liability will be accepted by the publisher for any consequence of its use. Publication thereof does not convey nor imply any license under patent- or other industrial or intellectual property rights.

Printed in The Netherlands

613508/03/pp24

Date of release: 2002 Jun 06

Document order number: 9397 750 09711

Let's make things better.

**Philips
Semiconductors**



PHILIPS